



ALUMINUM COMBO BODIES

BY KNAPHEIDE

ALUMINUM COMBO BODIES BY KNAPHEIDE

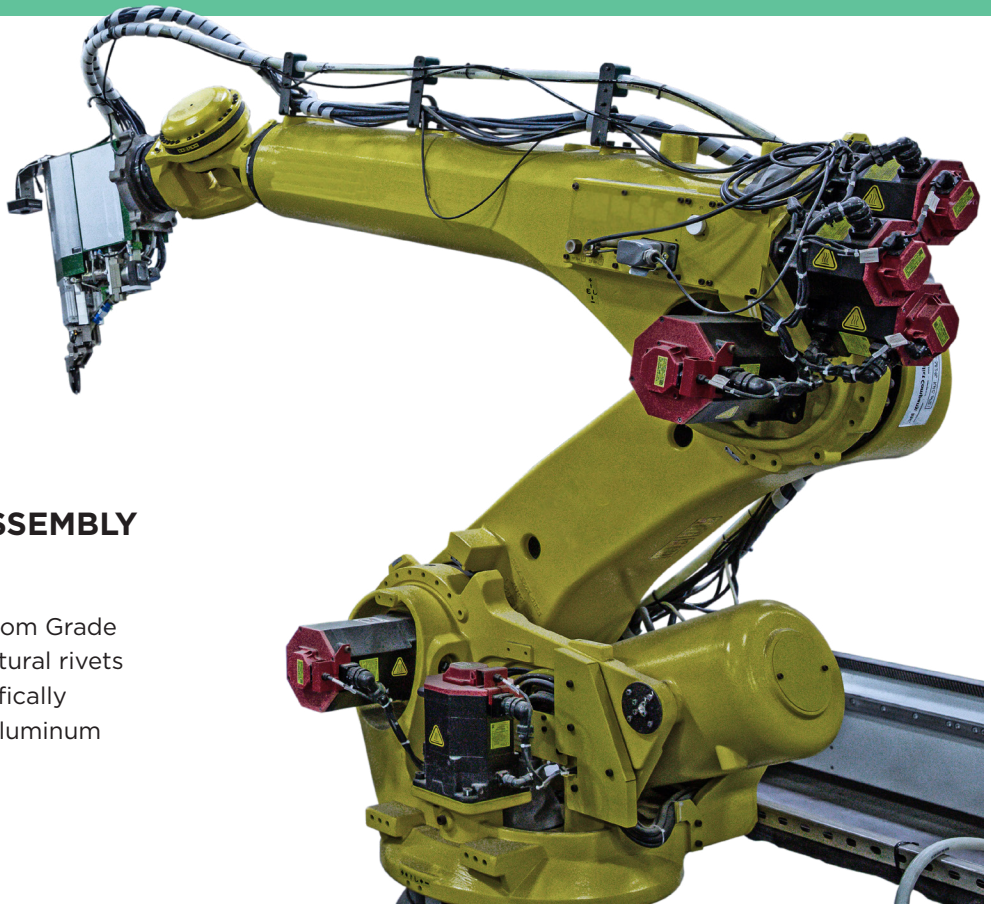
Aluminum Combo Bodies from Knapheide feature superior design and innovative construction, all while harnessing the strength of military-grade materials.



STANDARD ALUMINUM BODIES

To ensure the quality of our aluminum bodies, we've implemented an unparalleled testing regimen. These bodies undergo rigorous trials in our cutting-edge lab, enduring the most extreme environments and demanding applications. Not only do we test them ourselves, but real customers like you also put them through their paces.

Opt for a Knapheide Aluminum Body and gain access to unmatched benefits: corrosion resistance, enhanced payload capacity, and an aluminum service bed that matches the durability of steel.



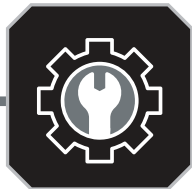
AEROSPACE ASSEMBLY TECHNOLOGY

Assembled entirely from Grade 5 hardware and structural rivets that are coated specifically not to corrode with aluminum materials.

POPULAR VOCATIONS



CONSTRUCTION



MUNICIPALITIES/
UTILITIES



OIL/MINING/GAS

A. FLOOR CONSTRUCTED OF RUGGED 6061 T6 ALUMINUM EXTRUSIONS AND EXCLUSIVE “RETURN FLANGE” FLOOR DESIGN provides support and corrosion resistance

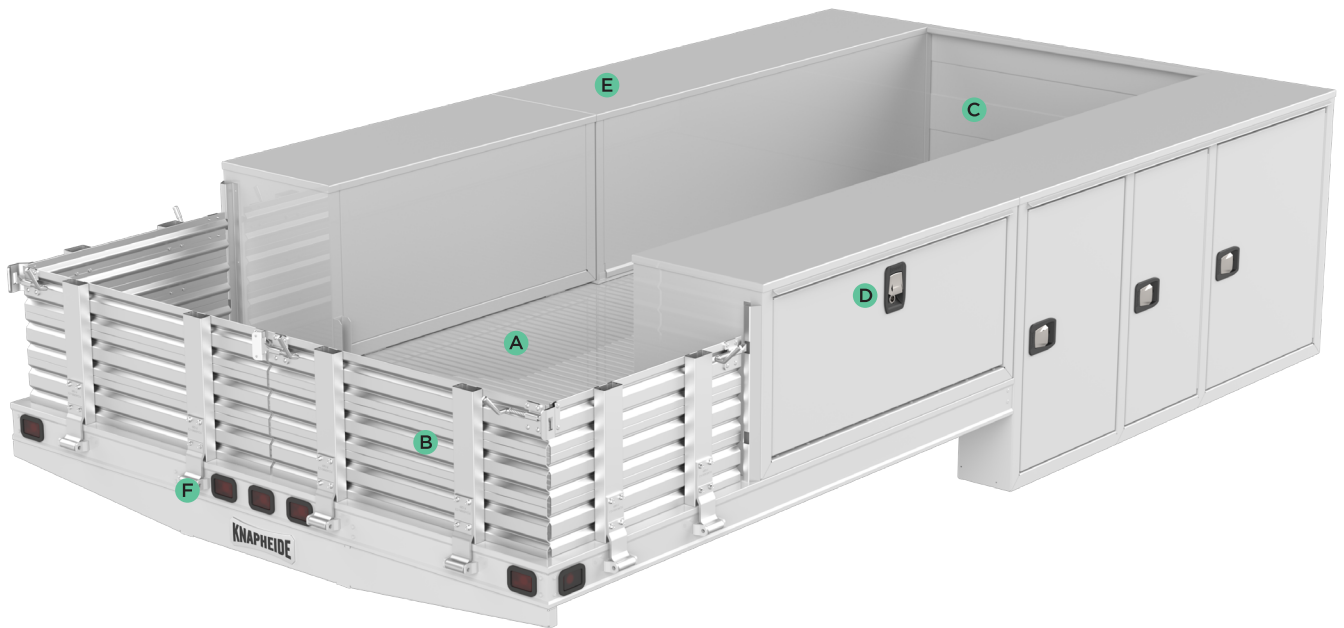
B. 18” ALUMINUM DROP SIDE RACK SETS retain cargo and drop for easy access to the bed

C. COMPOSED OF MILITARY-GRADE ALUMINUM EXTRUSIONS resulting in a body that is 40% lighter than steel, returning payload back to the operator

D. AUTOMOTIVE-QUALITY, PADDLE-ACTIVATED ROTARY STYLE LATCHES make opening and closing easy, providing access to spacious side compartments

E. COMBINATION OF OUR POPULAR SERVICE BODY AND PLATFORM BODY to provide optimal storage and transportation solutions

F. ALL LED CLEARANCE AND MARKER LIGHTS for visibility and added safety



FEATURES NOT SHOWN

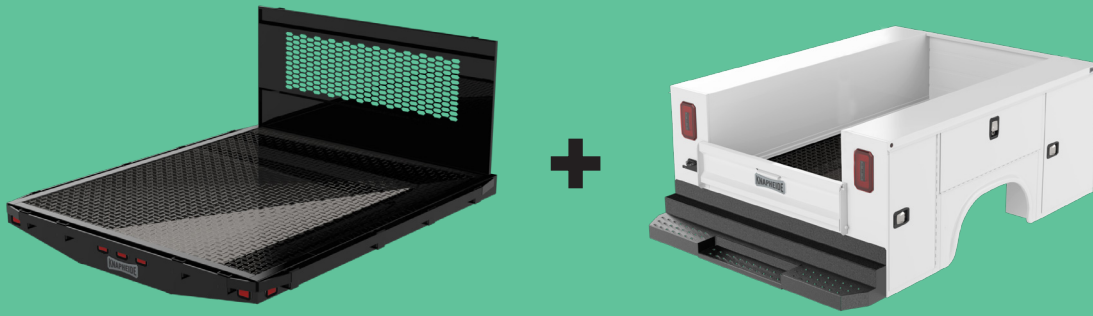
INTERIOR LATCH COVER protects internal latch from damage

ALL ALUMINUM 6061 T6 UNDERSTRUCTURE provides support and corrosion resistance

ADJUSTABLE SECURITY RING STRIKERS provide a weather-tight seal

LONG SILLS are an extended aluminum structural channel

SIDE RAILS are extruded Military-grade aluminum channel with a tapered edge, providing protection to the floor planks and allowing for cargo and product to be loaded and unloaded without damage



KNAPHEIDE COMBO BODY

By combining the practicality and versatility of the ever-popular Service Body (front) and Platform Body (rear), the Combo Body is an ideal solution for the needs of virtually any line of work nationwide. Multiple configurations of the Combo Body allow you to get the most practical upfit to meet your needs.

COMPARTMENT FEATURES



NITROGEN STRUT DOOR RETAINERS

on vertical compartment doors eliminate involuntary swing



INSET DOOR FRAME DESIGN WITH DOUBLE TRAY ALUMINUM DOORS AND NEOPRENE SEALS

for weather-tight closing



CONTINUOUS ALUMINUM HINGE WITH STAINLESS STEEL RODS

are pry-proof and corrosion-resistant

STANDARD SHELVING

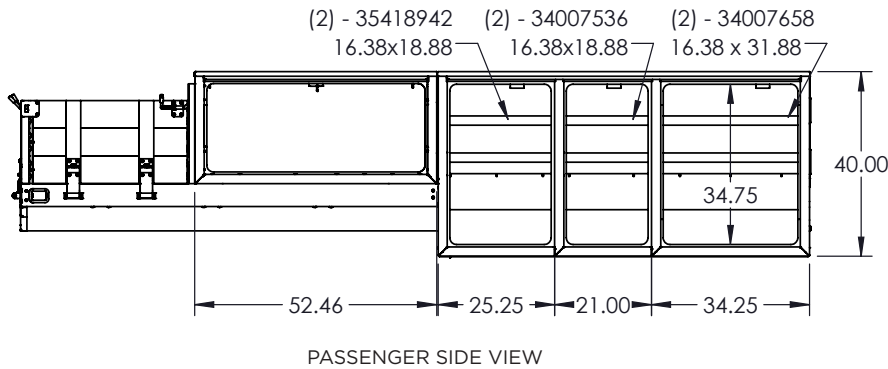
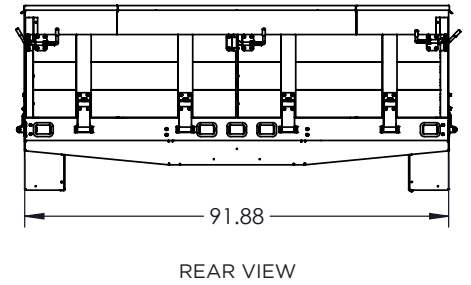
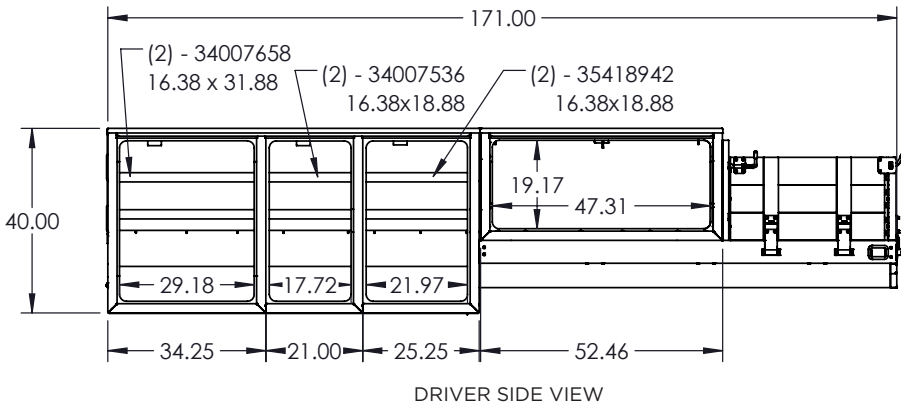


STREET AND CURB SIDE FRONT VERTICAL COMPARTMENTS

Two adjustable divider shelves and dividers, with a 250-lb. capacity (1st and 2nd vertical 132" bodies only)

S P E C I F I C A T I O N S

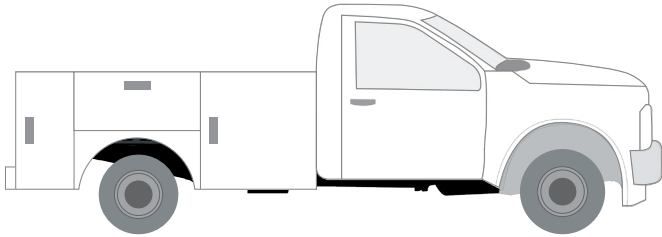
Overall length of complete vehicle	243"
Overall width of complete vehicle (excluding mirrors).....	96"
Chassis wheelbase.....	130"
Length of knapheide combo body	171"
Length of storage compartments	133"
Length of rear cargo loading area	38"
Curb weight of complete vehicle	6840 lb.
Max payload of complete vehicle.....	4160 lb.



LOW CAB FORWARD ADVANTAGE

MORE CARGO CAPACITY WITH SIMILAR OVERALL LENGTH

Compared to a conventional regular cab chassis with a 9' service body, the Mullen THREE with a 14' combo body provides the user with similar wheelbase and overall length for maneuverability but more bed space for storing tools and equipment both internally and in the cargo area.



CONVENTIONAL REGULAR CAB CHASSIS WITH 9' SERVICE BODY

Overall length 234"
Wheelbase 145"
Body length..... 107"
Compartment volume 76 cu-ft
Cargo area 40 sq-ft

MULLEN THREE LOW CAB FORWARD CHASSIS WITH 14' COMBO BODY

Overall length 243"
Wheelbase 130"
Body length..... 171"
Compartment volume 99 cu-ft
Cargo area 74 sq-ft

COMMITMENT TO **CORROSION RESISTANCE**

Aluminum bodies are naturally corrosion resistant. Where steel fasteners are used, those fasteners are coated with "EcoGuard" to eliminate the interaction between the steel and aluminum.

This aluminum assembly method allows us to create products with the highest level of corrosion resistance available.



TEN YEAR, LIMITED TIME WARRANTY ON COMBO BODY



**NO RUST
THROUGH**



**DOOR HINGES
WILL NOT FAIL OR
COME OFF BODY**



**LATCHES AND LOCK
CYLINDERS WILL NOT
FAIL TO OPERATE**



**SHELVES WILL NOT
BEND UNDER MAX
LOAD OF 250 LBS.**

TO LEARN MORE VISIT WWW.KNAPHEIDE.COM/WARRANTY