

# HARBOR TRUCK BODIES

## PHVAC PACKAGE FOR 159" WHEEL BASE RAM PROMASTER WITH HIGH ROOF

REV	DWG	DATE	CHANGE DESCRIPTION	P/N: TBD
1	KB	10/21/13	CREATED PRINT	

THE INFORMATION CONTAINED IN THIS DRAWING IS THE SOLE PROPERTY OF HARBOR TRUCK BODIES. ANY REPRODUCTION IN PART OR WHOLE WITHOUT THE WRITTEN PERMISSION OF HARBOR TRUCK BODIES IS PROHIBITED.

Shelving W/ Bottom Door  
67"Hx43"Wx16"D  
Compartment size: (43"Wx12"Hx16"D)  
Opening Size: (9.5"Hx41"W)

34" Shelving  
67"H X 34"W X 16"D

Partition  
**(SOLD SEPERATE FROM PACKAGE)**

Note: Door Version Shown  
Also Available Without Door

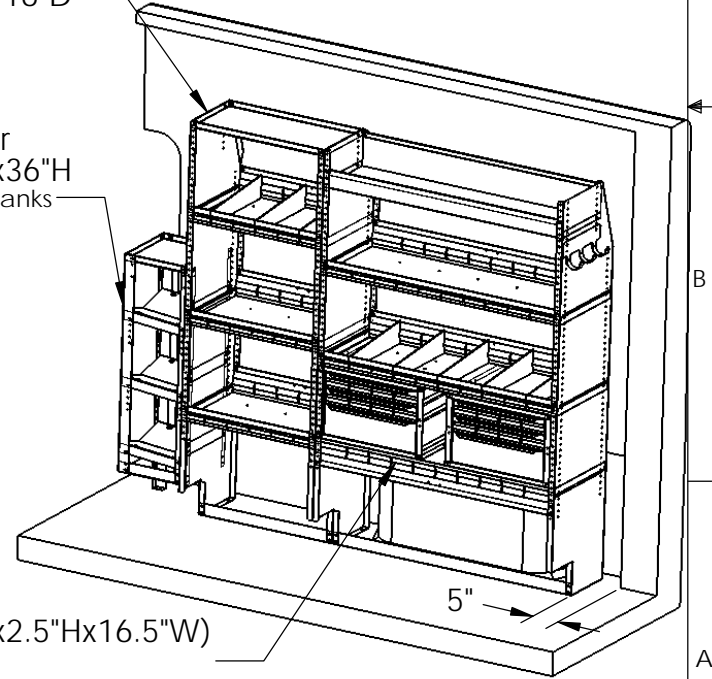
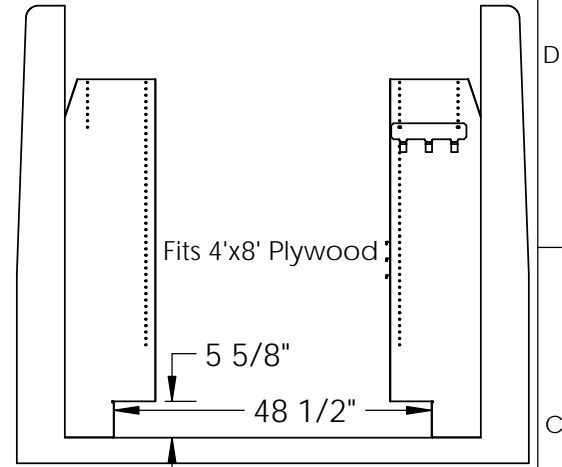
Shelving W/ Drawers  
67"H X 43"W X 16"D  
Drawer Size:  
4X (15.75"Dx5"Hx16.5"W)

24" Shelving  
67"H X 24"W X 16"D

Tank Holder  
12"Wx12"Dx36"H  
Holds 3 (30lb) Tanks

Shelving W/6 Drawers  
67"Hx43"Wx16"D

Drawer Size: 4X (15.75"Dx2.5"Hx16.5"W)  
2x (15.75"Dx5"Hx16.5"W)



UNLESS OTHERWISE SPECIFIED  
DIMENSIONS ARE IN INCHES  
TOLERANCES ARE:  
DECIMALS ANGLES FRACTIONS  
X = +/- .1 X = +/- 1° +/- 1/32"  
.XX = +/- .03

SIZE	DESCRIPTION	FINISH	DRAWN	DATE
A	Harbor Van Ram Promaster 159" WB PHVAC Package	Epoxy Prime	KB	10/21/13
Installed Weight	670 lbs			

PACKAGE PART NUMBERS:  
HVRPHVAC-159WB & HVIR-BH  
**INSTALLED**

8 7 6 5 4 3 2 1

8 7 6 5 4 3 2 1

THE INFORMATION CONTAINED IN THIS DRAWING IS THE SOLE PROPERTY OF HARBOR TRUCK BODIES. ANY REPRODUCTION IN PART OR WHOLE WITHOUT THE WRITTEN PERMISSION OF HARBOR TRUCK BODIES IS PROHIBITED.

# HARBOR TRUCK BODIES

## PHVAC PACKAGE FOR 159" WHEEL BASE RAM PROMASTER WITH HIGH ROOF

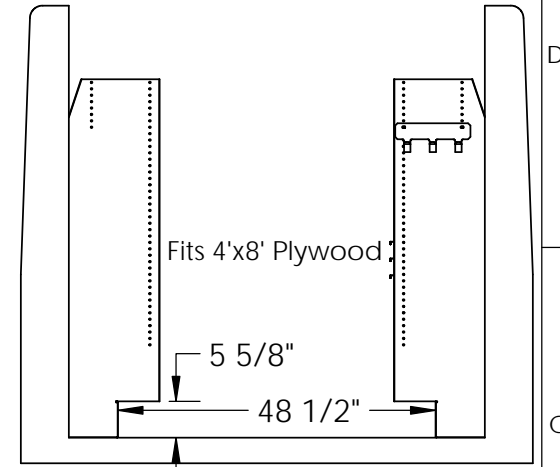
REV	DWG	DATE	CHANGE DESCRIPTION	<b>P/N: TBD</b>
1	KB	10/21/13	CREATED PRINT	

Shelving W/ Bottom Door  
67"Hx43"Wx16"D  
Compartment size: (43"Wx12"Hx16"D)  
Opening Size: (9.5"Hx41"W)

Shelving W/ Drawers  
67"H X 43"W X 16"D  
Drawer Size:  
4X (15.75"Dx5"Hx16.5"W)

Partition  
**(SOLD SEPERATE FROM PACKAGE)**

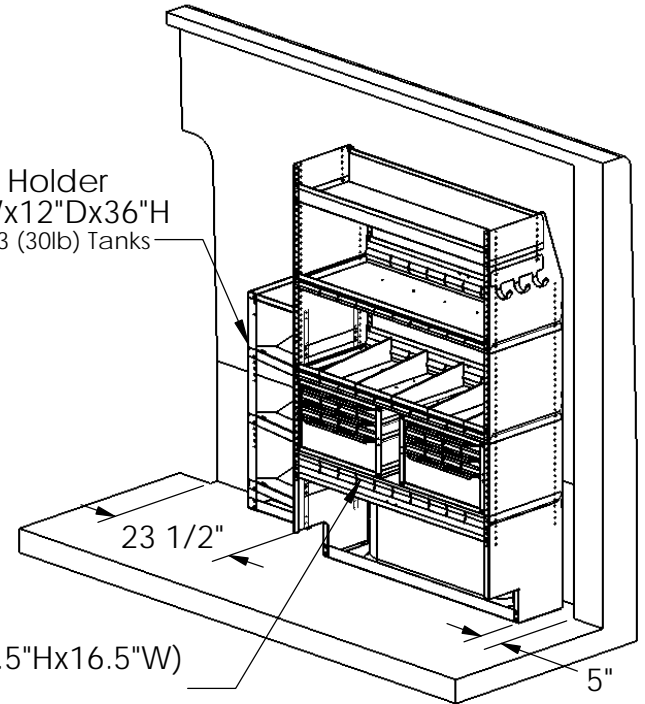
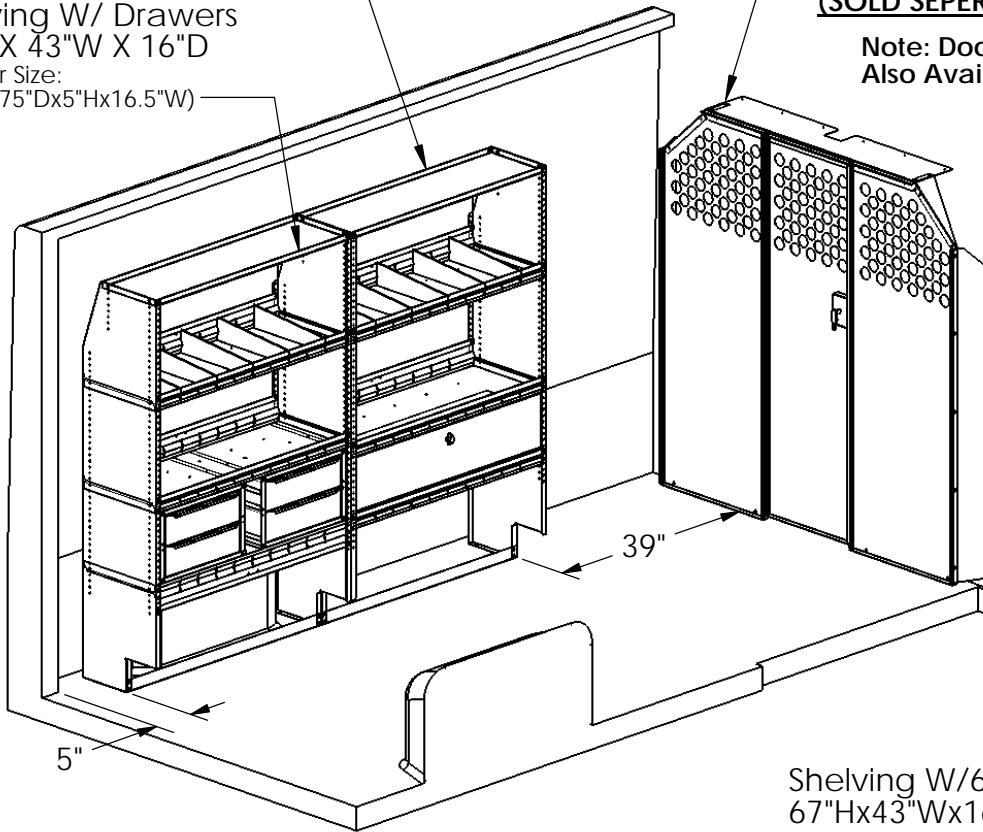
Note: Door Version Shown  
Also Available Without Door



Tank Holder  
12"Wx12"Dx36"H  
Holds 3 (30lb) Tanks

Shelving W/6 Drawers  
67"Hx43"Wx16"D

Drawer Size: 4X (15.75"Dx2.5"Hx16.5"W)  
2x (15.75"Dx5"Hx16.5"W)



UNLESS OTHERWISE SPECIFIED  
DIMENSIONS ARE IN INCHES  
TOLERANCES ARE:  
DECIMALS ANGLES FRACTIONS  
X = +/- .1 X = +/- 1° +/- 1/32"  
.XX = +/- .03

SIZE	DESCRIPTION	DRAWN	DATE
A	Harbor Van Ram Promaster 159" WB PHVAC Package	KB	10/21/13
Installed Weight	670 lbs	FINISH	Epoxy Prime

**PACKAGE PART NUMBERS:**  
HVRPHVAC-H & HVIR-BH  
**INSTALLED**

THE INFORMATION CONTAINED IN THIS DRAWING IS THE SOLE PROPERTY OF HARBOR TRUCK BODIES ANY REPRODUCTION IN PART OR WHOLE WITHOUT THE WRITTEN PERMISSION OF HARBOR TRUCK BODIES IS PROHIBITED.

# HARBOR TRUCK BODIES

## PHVAC PACKAGE & PARTITION FOR 136" WHEEL BASE RAM PROMASTERS WITH HIGH ROOF

REV	DWG	DATE	CHANGE DESCRIPTION	P/N: TBD
1	KB	10/21/13	CREATED PRINT	

Shelving W/ Bottom Door  
67"Hx43"Wx16"D  
Compartment size: (43"Wx12"Hx16"D)  
Opening Size: (9.5"Hx41"W)

Shelving W/ Drawers  
67"H X 43"W X 16"D  
Drawer Size:  
4X (15.75"Dx5"Hx16.5"W)

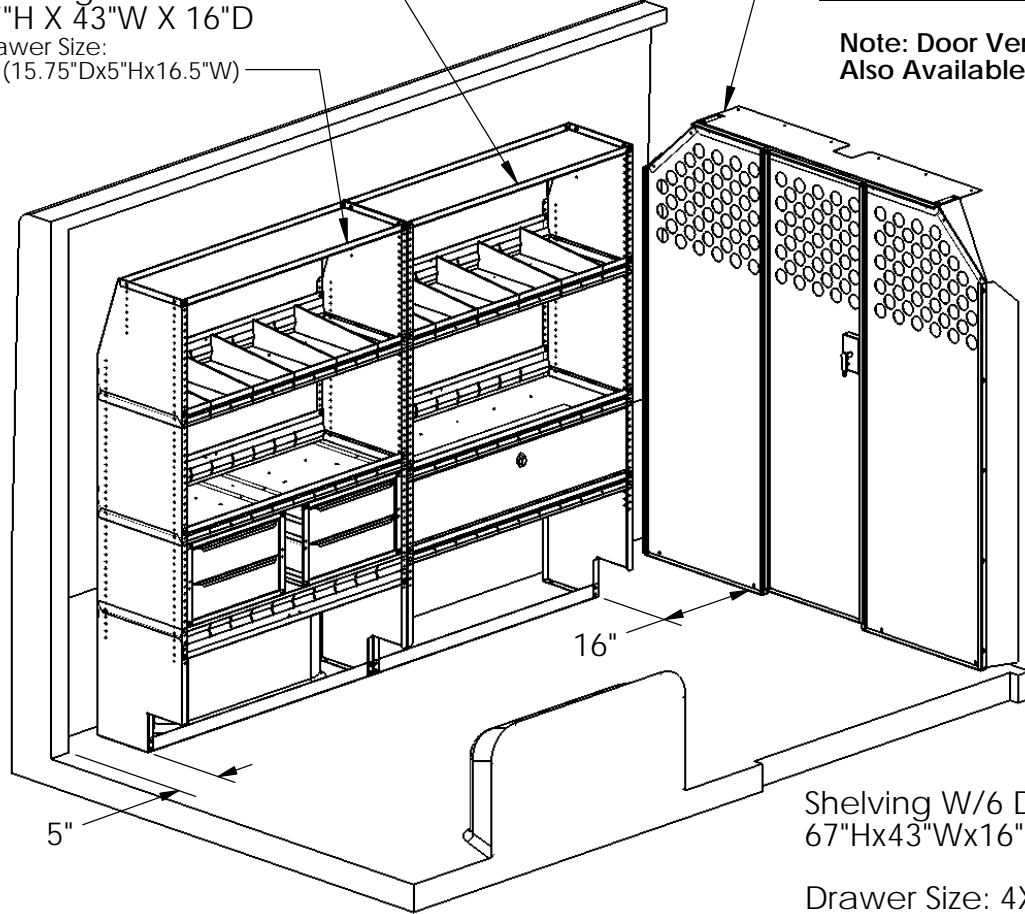
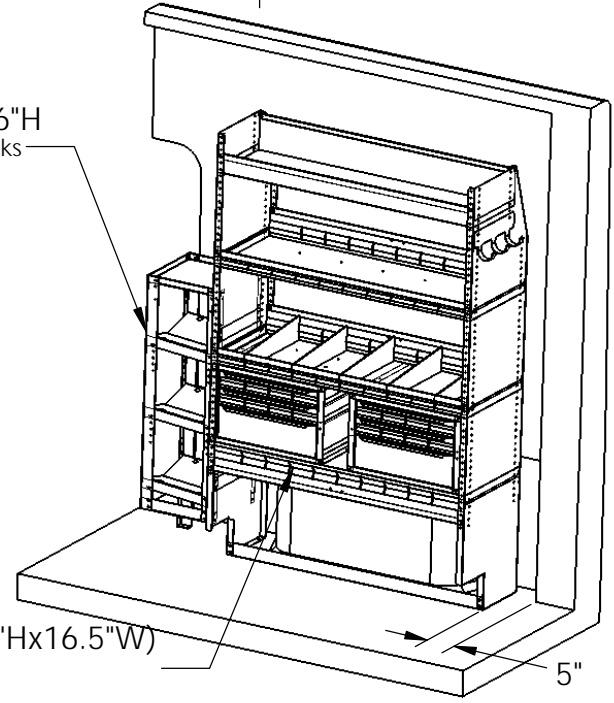
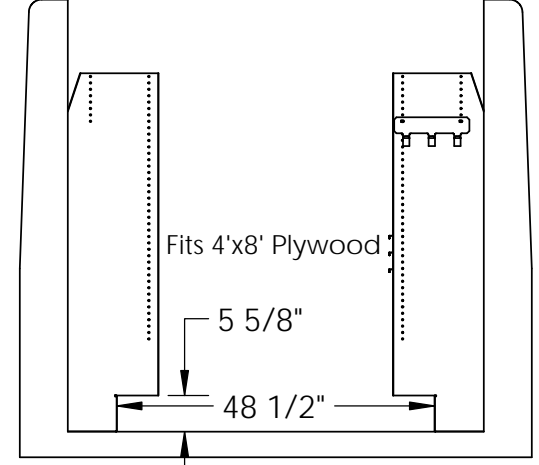
Partition  
**(SOLD SEPERATE FROM PACKAGE)**

Note: Door Version Shown  
Also Available Without Door

Tank Holder  
12"Wx12"Dx36"H  
Holds 3 (30lb) Tanks

Shelving W/6 Drawers  
67"Hx43"Wx16"D

Drawer Size: 4X (15.75"Dx2.5"Hx16.5"W)  
2x (15.75"Dx5"Hx16.5"w)



UNLESS OTHERWISE SPECIFIED  
DIMENSIONS ARE IN INCHES  
TOLERANCES ARE:  
DECIMALS ANGLES FRACTIONS  
X = +/- .1 X = +/- 1° +/- 1/32"  
.XX = +/- .03

SIZE	DESCRIPTION	FINISH	DRAWN	DATE
A	Harbor Van Ram Promaster PHVAC Package	Epoxy Prime	KB	10/21/13
Installed Weight	528 lbs			

PACKAGE PART NUMBERS:  
**HVRPHVAC-H & HVIR-BH**  
**INSTALLED**

8 7 6 5 4 3 2 1

# HARBOR TRUCK BODIES

## PHVAC PACKAGE & PARTITION FOR 136" WHEEL BASE RAM PROMASTERS WITH MEDIUM ROOF

REV	DWG	DATE	CHANGE DESCRIPTION	P/N: TBD
1	KB	10/21/13	CREATED PRINT	

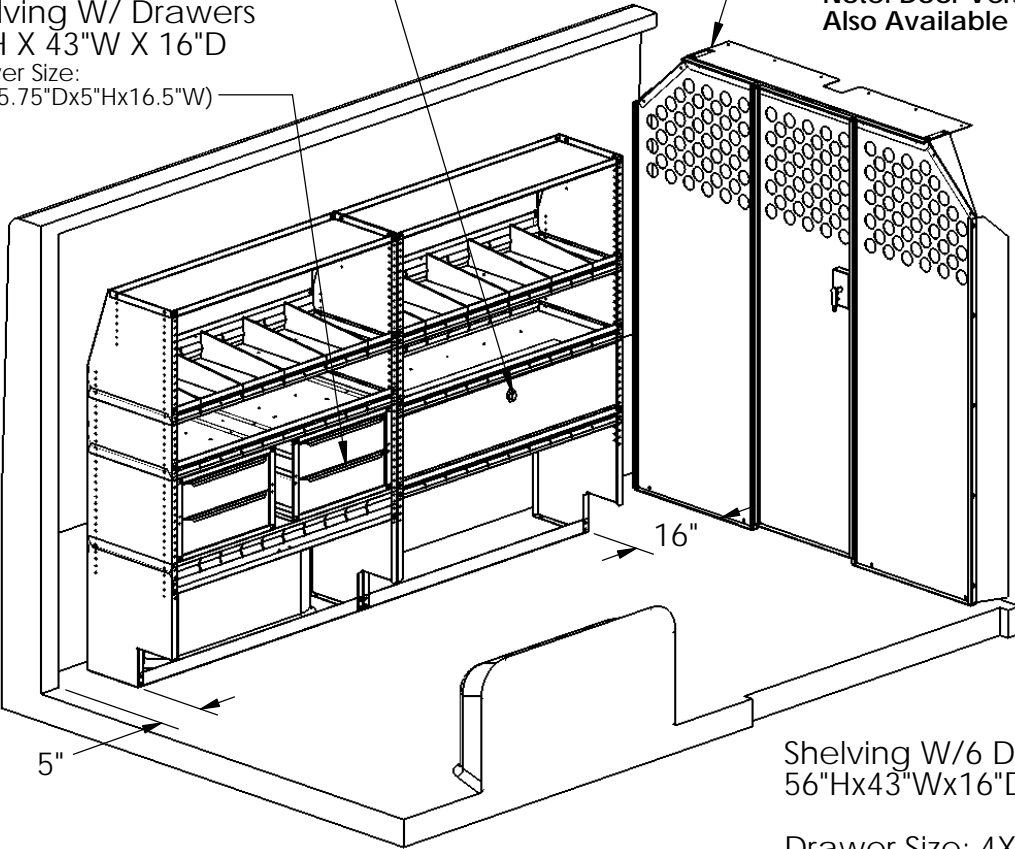
THE INFORMATION CONTAINED IN THIS DRAWING IS THE SOLE PROPERTY OF HARBOR TRUCK BODIES ANY REPRODUCTION IN PART OR WHOLE WITHOUT THE WRITTEN PERMISSION OF HARBOR TRUCK BODIES IS PROHIBITED.

Shelving W/ Bottom Door  
56"Hx43"Wx16"D  
Compartment size: (43"Wx12"Hx16"D)  
Opening Size: (9.5"Hx41"W)

Shelving W/ Drawers  
56"H X 43"W X 16"D  
Drawer Size:  
4X (15.75"Dx5"Hx16.5"W)

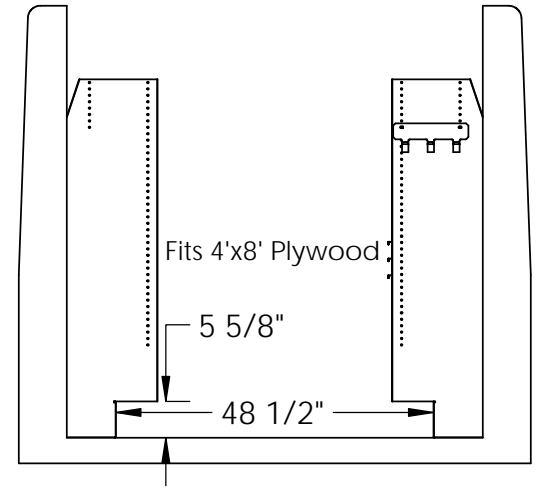
Partition  
**(SOLD SEPERATE FROM PACKAGE)**

Note: Door Version Shown  
Also Available Without Door

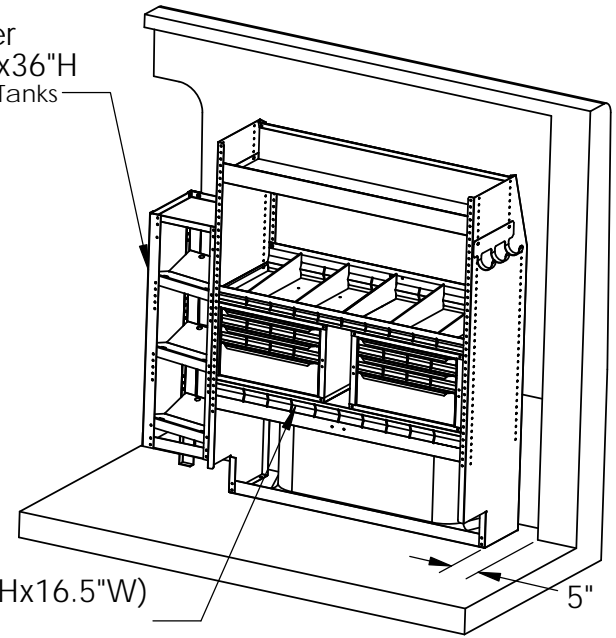


Shelving W/6 Drawers  
56"Hx43"Wx16"D

Drawer Size: 4X (15.75"Dx2.5"Hx16.5"W)  
2x (15.75"Dx5"Hx16.5"W)



Tank Holder  
12"Wx12"Dx36"H  
Holds 3 (30lb) Tanks



UNLESS OTHERWISE SPECIFIED  
DIMENSIONS ARE IN INCHES  
TOLERANCES ARE:  
DECIMALS ANGLES FRACTIONS  
X = +/- .1 X = +/- 1° +/- 1/32"  
.XX = +/- .03

SIZE	DESCRIPTION	FINISH	DRAWN	DATE
A	Harbor Van Ram Promaster PHVAC Package	Epoxy Prime	KB	10/21/13
Installed Weight	510 lbs			

PACKAGE PART NUMBERS:  
**HVRPHVAC-M & HVIR-BH**  
**INSTALLED**

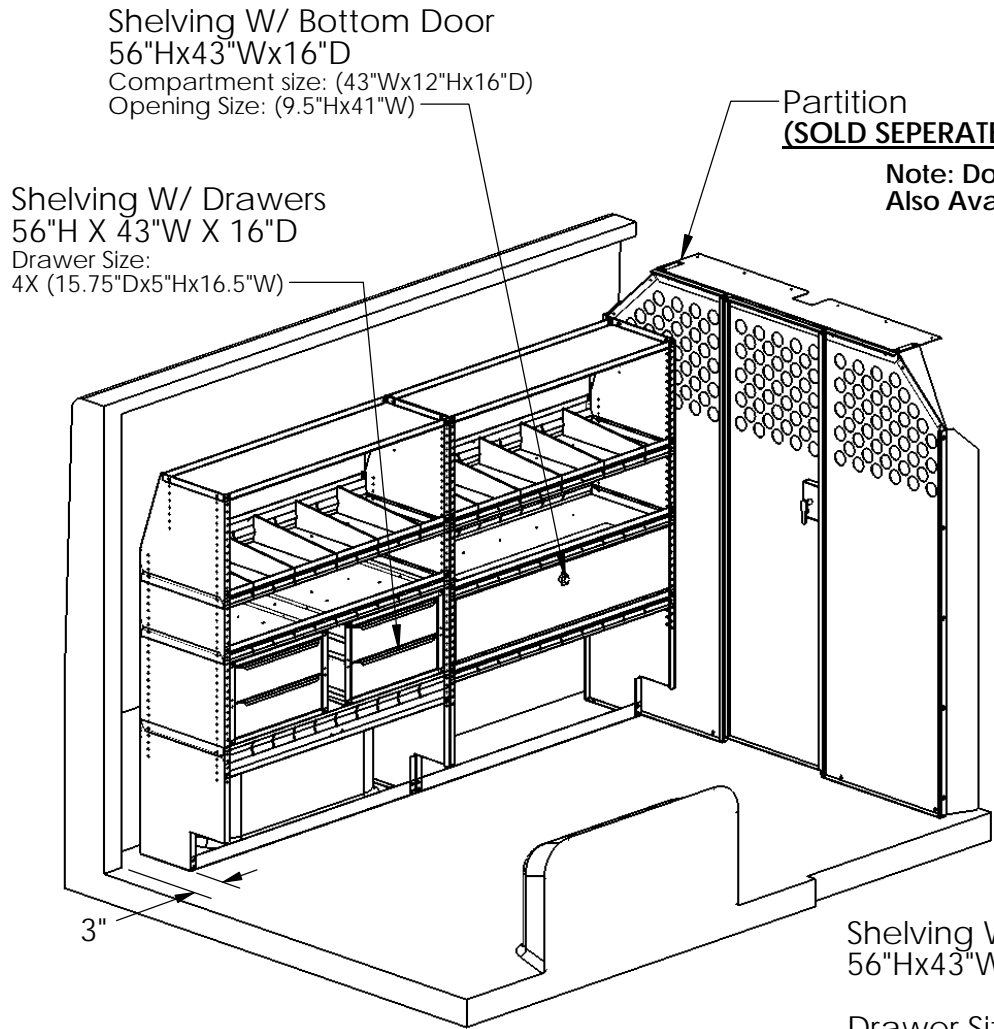
8 7 6 5 4 3 2 1

# HARBOR TRUCK BODIES

## PHVAC PACKAGE & PARTITION FOR 118" WHEEL BASE RAM PROMASTERS WITH MEDIUM ROOF

REV	DWG	DATE	CHANGE DESCRIPTION	P/N: TBD
1	KB	10/21/13	CREATED PRINT	

THE INFORMATION CONTAINED IN THIS DRAWING IS THE SOLE PROPERTY OF HARBOR TRUCK BODIES ANY REPRODUCTION IN PART OR WHOLE WITHOUT THE WRITTEN PERMISSION OF HARBOR TRUCK BODIES IS PROHIBITED.



Shelving W/ Bottom Door  
56"Hx43"Wx16"D  
Compartment size: (43"Wx12"Hx16"D)  
Opening Size: (9.5"Hx41"W)

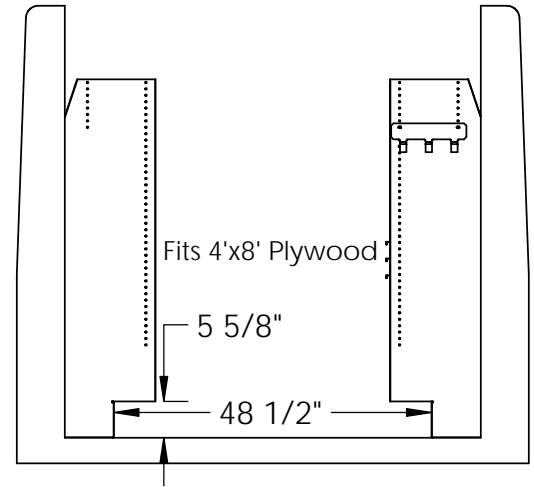
Partition  
**(SOLD SEPERATE FROM PACKAGE)**

Note: Door Version Also Available Without Door

Shelving W/ Drawers  
56"H X 43"W X 16"D  
Drawer Size:  
4X (15.75"Dx5"Hx16.5"W)

Shelving W/6 Drawers  
56"Hx43"Wx16"D

Drawer Size: 4X (15.75"Dx2.5"Hx16.5"W)  
2x (15.75"Dx5"Hx16.5"W)

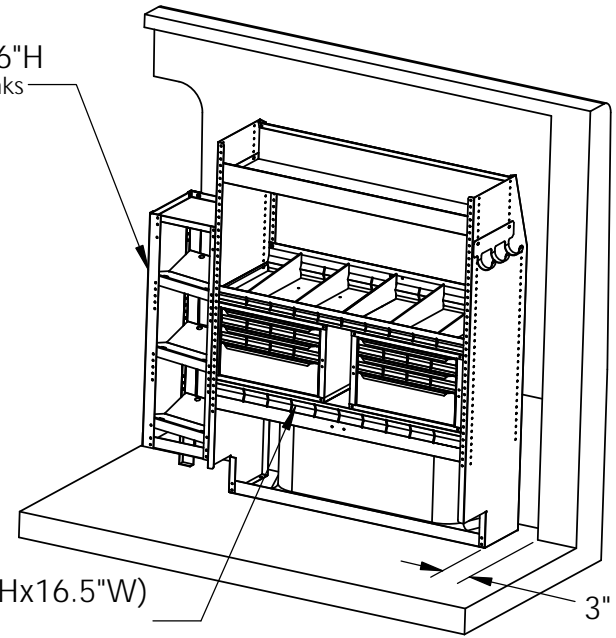


Fits 4'x8' Plywood

5 5/8"

48 1/2"

Tank Holder  
12"Wx12"Dx36"H  
Holds 3 (30lb) Tanks



3"

UNLESS OTHERWISE SPECIFIED  
DIMENSIONS ARE IN INCHES  
TOLERANCES ARE:  
DECIMALS ANGLES FRACTIONS  
X = +/- .1 X = +/- 1° +/- 1/32"  
.XX = +/- .03

SIZE	DESCRIPTION
A	Harbor Van Ram Promaster PHVAC Package
Installed Weight	510 lbs
FINISH	Epoxy Prime
DRAWN	KB
DATE	10/21/13

PACKAGE PART NUMBERS: <b>HVRPHVAC-M &amp; HVIR-BH</b>	
SCALE	<b>1:48</b>
<b>INSTALLED</b>	

8 7 6 5 4 3 2 1