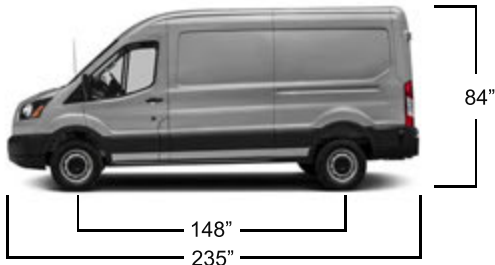


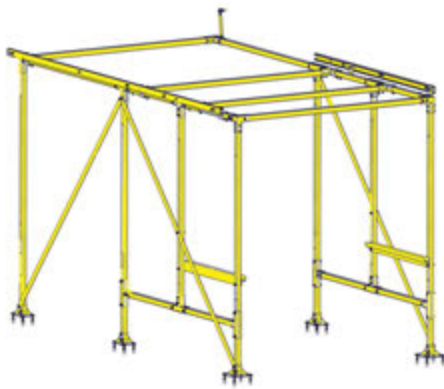
CARGOGLIDE™

WALLSLIDE™ FITMENT GUIDE

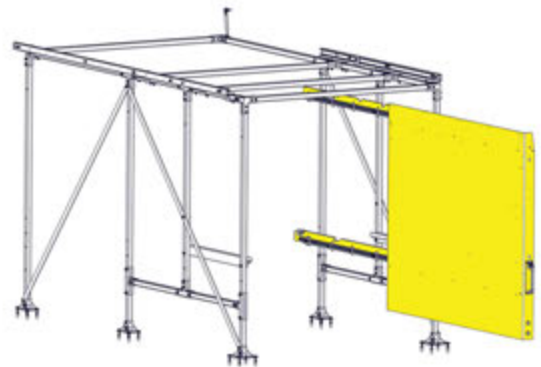
FORD TRANSIT LOW ROOF 148WB



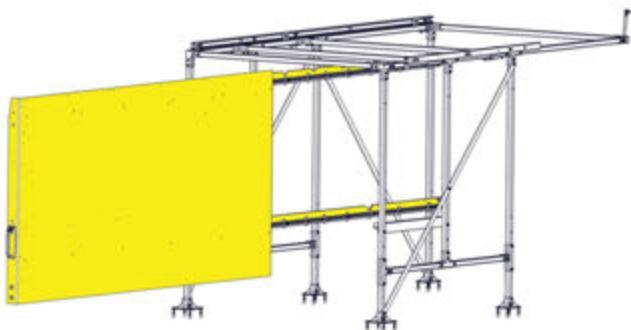
The **WALLSLIDE** System is a steel framework mounted inside the van with aluminum sliding walls. From motorized walls to lighting, **WALLSLIDE** is fully customizable with several options and designed to attach most brands of shelving, bins, or containers onto the sliding walls.



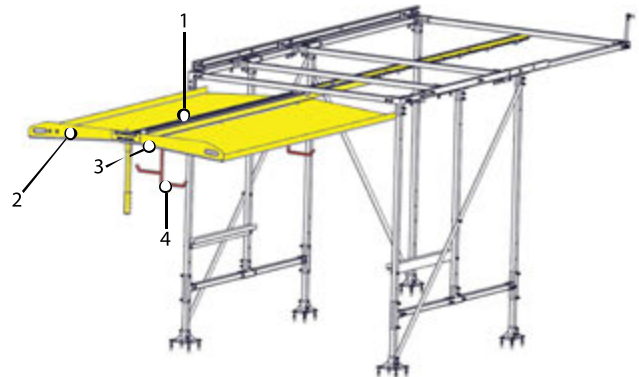
WSS530 - Framework Only *\$1,093



WSS532 - Right 65" Wall (no shelving) *\$2,344



WSS531 - Left 110" Wall (no shelving) *\$3,468

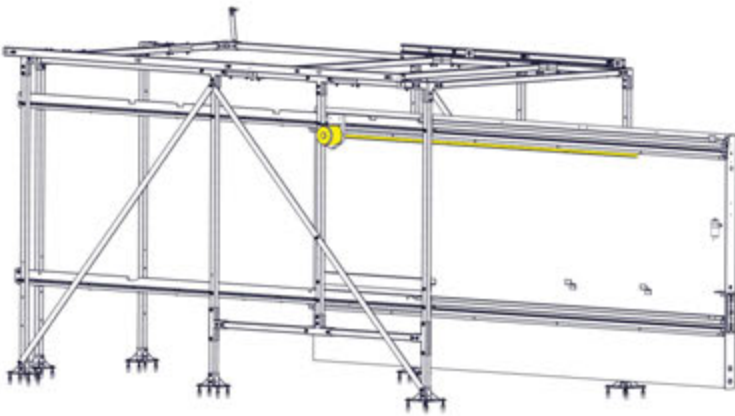


- 1 **WSR530** - Ceiling Slide Rail Only *\$1,359
- 2 **WSC530** - Ceiling Canopy Kit *2,156
- 3 **WSL072** - 72" Light Strip *\$166
- 4 **WSLadder1** - Fixed Ladder Racks *\$61
WSLadder1F - Folding Ladder Racks *\$77

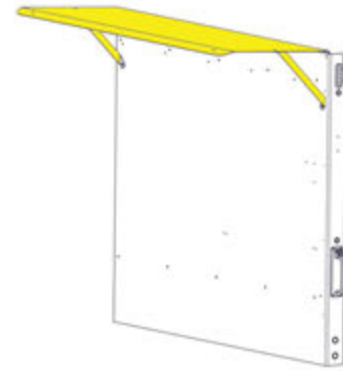
*Prices are MSRP

CARGOGLIDE WALLSLIDE

FORD TRANSIT LOW ROOF 148WB



WSMotor531 - Motorized 110" Left Wall *\$1,259
WSMotor532 - Motorized 65" Right Wall *\$1,259



WPC110 - Wall Weather Canopy *\$222
WPC065 - Wall Weather Canopy *\$196



WSL006 - 6" Strobe Light *\$60
WSL048 - 48" Light Strip for WPC065 *\$138
WSL072 - 72" Light Strip for WPC110 *\$166



WSB530 - BulkHead Framework & Wall Only *\$1,828
Available with all Wall Options



WSGantry530 - Gantry Crane *\$1,988



WALLSLIDE Systems are compatible with **CARGOGLIDE** units that pull out the rear and side of your van.