



MASTERACK®

TAILOR FIT FOR A JOB DONE RIGHT



COMMERCIAL VAN EQUIPMENT

FORD VANS

GM VANS

MERCEDES VANS

NISSAN VANS

RAM VANS

VAN BODIES

ABOUT MASTERACK®

Quality and Customer Satisfaction is our commitment. MASTERACK® has over 45 years of experience in the design and manufacture of high-quality, commercial grade van and pickup equipment for the nation's largest fleets and auto makers. Additionally, through our partnerships with professional distributor installers across the country, trade customers and local fleets can benefit from the same dependable equipment for their service vehicles.

UPFIT INCENTIVES

Factory upfit assistance is available to use on MASTERACK® products for new commercial vans. Subject to qualification. Check with your local dealer for program details.



Ford Commercial Connection Program
www.fordtoughtruck.com



GM Business Choice Program
www.gmfleet.com



Ram On the Job Program
www.chryslercommercialvehicles.com

NISSAN Commercial Vehicles

Nissan Commercial Incentive Program
www.nissancommercialvehicles.com

CAN'T FIND WHAT YOU'RE LOOKING FOR?

MASTERACK.com offers customers access to the newest products and product information available. Also find:

- Product details and photos
- Tradeshows & events
- Product support information (FAQs, Warranty)
- Press releases
- Important contacts
- Distributor search
- Additional features for distributors, including technical and warranty information, and marketing support.



LIMITED WARRANTY

MASTERACK® commercial van and pickup equipment is warranted to be free from defects in material and workmanship, under normal use and service, for a period of one (1) year from date of purchase. Factory installations and products installed in new vehicles by an authorized MASTERACK® installer are warranted for three (3) years or 36,000 miles (60,000 km), whichever comes first. Please visit www.MASTERACK.com to view additional warranty details.



TABLE OF CONTENTS

HOW TO ORDER

Vehicle Layout Guides	2-3
-----------------------------	-----

STEEL PRODUCTS

Base Packages.....	4
Accessories.....	5
Cabinets & Drawers.....	6
Shelving Components.....	7

SMARTSPACE® PRODUCTS

Base Packages.....	8
Components & Accessories.....	9

ALUMINUM PRODUCTS

Base Packages.....	10
Components & Accessories.....	11

FOLDING ALUMINUM SHELVING

Base Packages.....	12
Computer Mounting Kits And Cradles	13

PARTITIONS

Steel Partitions.....	14
Lightweight Composite & Wire Partitions.....	15

LADDER RACKS

Ergorack®	16
Slide-down Ladder Rack	17
Locking Ladder Rack.....	18
Utility Carrier	19

ACCESSORIES

Manual & Document Storage.....	20
Floor Drawers	20
Window Screens.....	21
Interior Accessories	21
Flooring.....	22
Exterior Accessories	22
Cargo Protection Packages.....	23

INDEX.....	24-25
------------	-------

Visit **MASTERACK.com** to view additional MASTERACK® products
and download MASTERACK®'s complete line of catalogs.

CUSTOM VAN INTERIORS

MEASUREMENT KEY

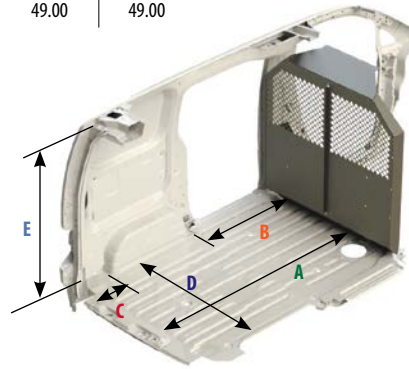
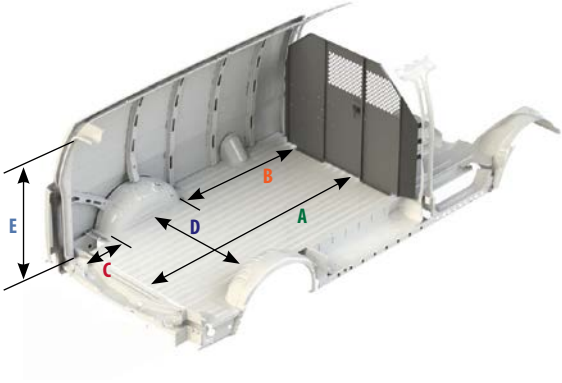
A	Cargo Length @ Floor
B	Front of Wheel Well
C	Rear of Wheel Well
D	Width Between Wheel House
E	Cargo Height Max

- 1) Select a base package - steel, SmartSpace® or aluminum
- 2) Add a vehicle specific steel, composite, or wire cab partition
- 3) Select upgrade options that fit your trade
- 4) Add roof options and exterior accessories

GM Vans

GM Express/Savana

WHEELBASE	135"	155"
A	104.00	122.00
B	55.00	74.00
C	13.00	13.00
D	52.50	52.50
E	49.00	49.00



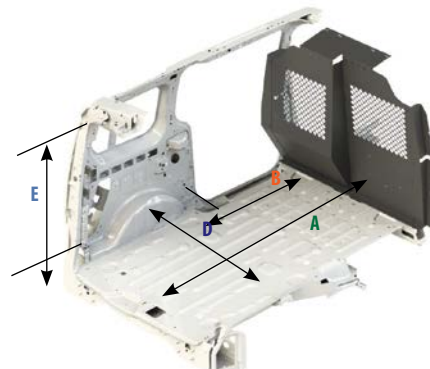
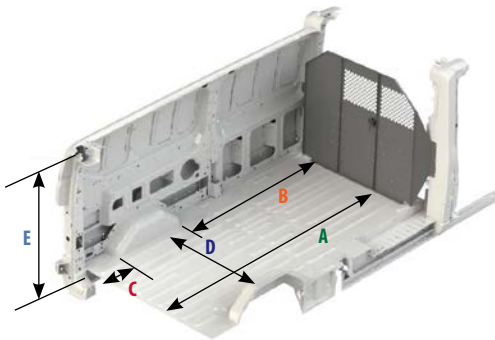
Chevy City Express

WHEELBASE	115"
A	66.00
B	28.00
C	9.00
D	44.00
E	52.00

Ford Vans

Ford Transit

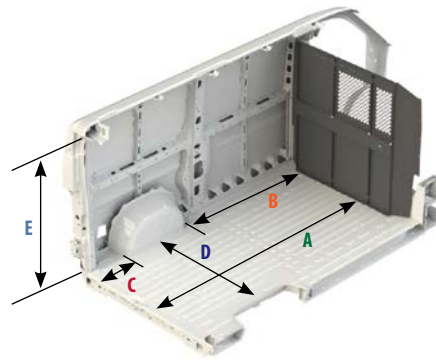
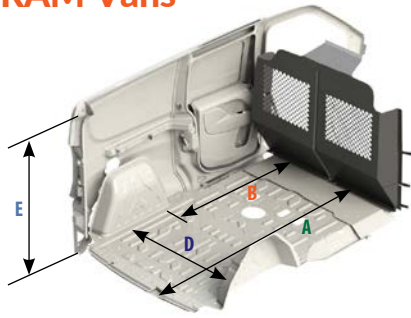
WHEELBASE	130"	130"	148"	148"	148"	148" - EXT
Roof Height	LOW	MEDIUM	LOW	MEDIUM	HIGH	HIGH
A	103.5	103.5	121.25	121.25	121.25	140.50
B	54.5	54.5	71.5	71.5	71.5	71.5
C	14.00	14.00	14.00	14.00	42.50	42.50
D	53.50	53.50	53.50	53.50	53.50	53.50
E	49.00	64.00	49.00	64.00	73.00	73.00



Ford Transit Connect

WHEELBASE	106"	121"
A	71.50	87.30
B	36.00	36.00
D	48.30	48.30
E	49.70	49.70

RAM Vans



2-3

VEHICLE LAYOUT GUIDES

RAM ProMaster City

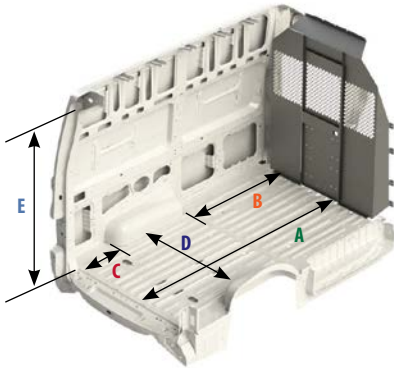
WHEELBASE	122"
A	77.00
B*	44.00
D	48.40
E	46.00

* To Door Opening

RAM ProMaster

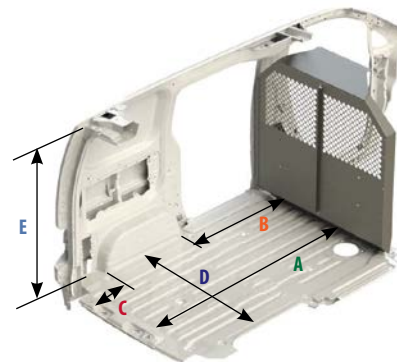
WHEELBASE	118"	136"	136"	159"	159" - EXT
Roof Height	LOW	LOW	HIGH	HIGH	HIGH
A	85.00	103.00	103.00	126.00	140.00
B	39.00	57.00	57.00	80.00	80.00
C	10.80	10.80	10.80	10.80	10.80
D	56.00	56.00	56.00	56.00	56.00
E	65.00	65.00	76.00	76.00	76.00

Nissan Vans



Nissan NV

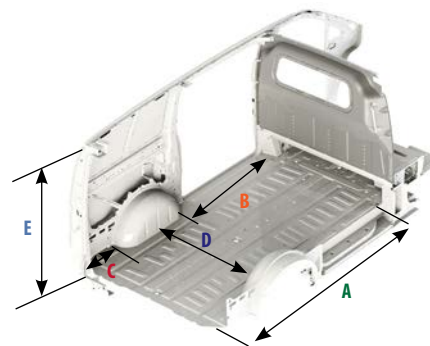
WHEELBASE	240.6"	240.6"
Roof Height	STANDARD	HIGH
A	100.00	100.00
B	48.00	48.00
C	14.00	14.00
D	54.30	54.30
E	55.80	76.90



Nissan NV200

WHEELBASE	115"
A	66.00
B	28.00
C	9.00
D	44.00
E	52.00

Mercedes Vans



Mercedes Sprinter

WHEELBASE	144"	144"	170"	170" - EXT.
Roof Height	STANDARD	HIGH	HIGH	HIGH
A	128.60	128.60	169.30	185.10
B	64.00	64.00	95.00	95.00
C	22.00	22.00	39.00	55.00
D	53.10	53.10	53.10	38.50
E	65.00	78.20	78.20	78.20

Mercedes Metris

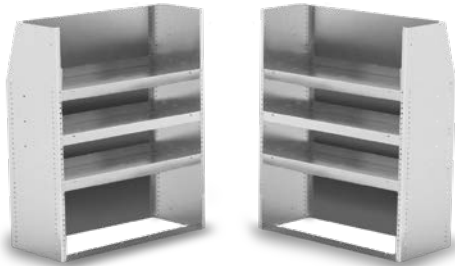
WHEELBASE	126"
Roof Height	STANDARD
A	105.00
B	48.00
C	16.00
D	50.00
E	55.00

STEEL BASE PACKAGES



MASTERACK®'s heavy duty steel interiors, used by the nation's largest fleets, offer maximum durability for the toughest applications. Choose a basic base interior from below to fit your vehicle and upgrade with trade accessories, shelf backs, cabinets, drawers, dividers and bins to meet your needs.

Partitions sold separately (see pages 14-15).



Compact Steel Base Package

Applicable to Ford Transit Connect, Chevy City Express, RAM ProMaster City and Nissan NV200

PACKAGE #02K643KP		
Part#	Description	Qty.
02J640KP	Steel Shelving Module 44" H x 37" W x 12" D	2

Note: Floor Attachment Kit recommended for Transit Connect (02G056KP), RAM ProMaster City (02J724KP), and Chevy City Express/Nissan NV200 (02F601KP) for no-drill installation



Standard Steel Base Package

Applicable to Ford Transit Low Roof, GM Express/Savana and Nissan NV Standard Roof

PACKAGE #02K644KP		
Part#	Description	Qty.
022434KP	Steel Shelving Module 46" H x 43" W x 16" D	2
027546KP	Steel Shelving Module 46" H x 43" W x 12" D	1

Tall Steel Base Package

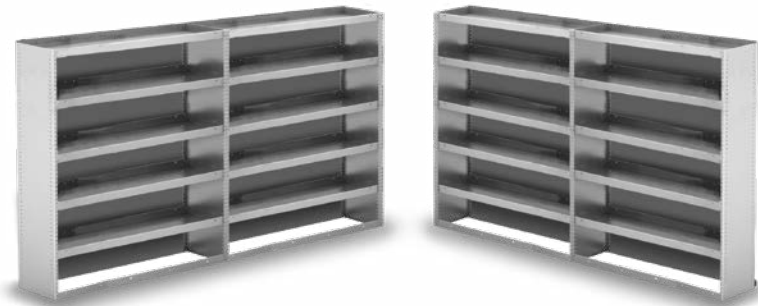
Applicable to Ford Transit Medium & High Roof, Ram ProMaster Low & High Roof, Nissan NV High Roof and Mercedes Sprinter

PACKAGE #02K645KP		
Part#	Description	Qty.
02A383KP	Steel Shelving Module 60" H x 43" W x 16" D	3

Van Body Steel Base Package

Applicable to 10-14' Van Bodies

PACKAGE #02K646KP		
Part#	Description	Qty.
027574KP	Steel Shelving Module 60" H x 51" W x 16" D	4



STEEL

4-5

STEEL PRODUCTS BASE PACKAGES & ACCESSORIES



Shelf Dividers bolt to shelving, no drilling required. Easily adjustable to organize equipment. Sold as set of five dividers.

- 021396KP** 5" H x 12" D Shelf Divider
- 021395KP** 10" H x 12" D Shelf Divider
- 022528KP** 7" H x 16" D Shelf Divider



Composite Storage Bins can be used for a wide variety of cargo containment needs. Color may vary.

- 021471KP** 5" H x 8" W x 12" D Storage Bin (set of four)



Lockable Storage Doors may be added to any storage module to create a secure compartment.

- 027500KP** 19" W x 12" H Storage Door
- 027495KP** 25" W x 12" H Storage Door
- 027496KP** 31" W x 12" H Storage Door
- 027497KP** 37" W x 12" H Storage Door
- 027498KP** 43" W x 12" H Storage Door
- 027499KP** 51" W x 12" H Storage Door

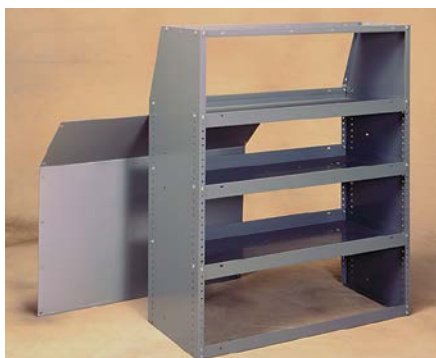


Multi-Purpose Utility Hooks (left) are ideal for a variety of uses. Zinc plated for long life, rounded for safety. 2" hook dia.

- 025527KP** Triple Utility Hook

Heavy-Duty, Vinyl Coated J-Hooks (right) can be mounted to shelving, or any vertical surface inside the van. Sold as set of two with hardware.

- 027503KP** 5" dia. Large J-hooks
- 027502KP** 3" dia. Small J-hooks



Shelf Backs used to close off back of shelving and help control noise. Height can easily be cut to fit module.

- 027484KP** 25" W x 36" H
- 027486KP** 43" W x 36" H
- 027485KP** 31" W x 36" H
- 027487KP** 51" W x 36" H
- 027176KP** 37" W x 36" H



Wire Spool Carrier Mounts to shelving, or vertical surface to organize wire spools, tape rolls, and other items.

- 024304KP** 24" H x 12" W x 4" D



Freon Tank Racks, Rings

Vertically store Freon tanks in a cradle with tie-down chains to secure the tanks. Tank Rings mount to floor, store individual tanks.

- 025544KP** 28" H x 13" W x 12" D Tank Rack 2-30# Tanks
- 027588KP** 36" H x 16" W x 16" D Tank Rack 2-50# Tanks
- 025545KP** 36" H x 13" W x 12" D Tank Rack 3-30# Tanks
- 025254KP** 46" H x 13" W x 12" D Tank Rack 4-30# Tanks
- 025295KP** 30# Single Freon Tank Ring
- 025296KP** 50# Single Freon Tank Ring



STEEL CABINETS & DRAWERS



Metal Parts Drawer Cabinets offer low cost storage for nuts and bolts, or other small items. Available in four sizes to fit your budget and needs. Cabinets include drop-in drawer dividers and bolt to steel or wire shelves. Tilt shelf recommended for solid steel shelving (see page 7).

- 021058KP** 8" H x 24" W x 12" D 8-drawer
- 021056KP** 11" H x 17" W x 12" D 9-drawer shown
- 021057KP** 8" H x 34" W x 12" D 12-drawer shown
- 021007KP** 11" H x 34" W x 12" D 18-drawer shown



Drawer Cabinets provide versatile, lockable storage for tools and small items. Shallow drawers include divided scoop tray. Cabinets mount to shelving module, or can be stacked on each other.

- 022788KP** 12" H x 18.5" W x 12" D 2-drawer shown
- 027259KP** 12" H x 18.5" W x 12" D 3-drawer shown
- 022787KP** 12" H x 18.5" W x 12" D 4-drawer shown
- 025070KP** 12" H x 18.5" W x 16" D 2-drawer
- 024515KP** 22" H x 18.5" W x 16" D 4-drawer shown
- 024056KP** 22" H x 18.5" W x 18" D 4-drawer



Composite Parts Drawer Cabinets feature composite drawers for nuts and bolts, or other small items. Cabinets include drop-in composite drawer dividers and bolt to steel or wire shelves (stack to form 12-, 18-, and 24-drawer cabinets).

- 02D641KP** 7" H x 18.5" W x 12" D 6-drawer



Exterior Vented Tank Storage Cabinets feature gasket sealed doors with snap tight latches. Cabinets include venting hoses and all connections. (Propane vents floor only). Installation instructions and hardware included.

- 022856KP** 34" H x 14" W x 14" D Universal Propane Cabinet
- 020711KP** 23" H x 14" W x 8" D Mapp/Acetylene Cabinet



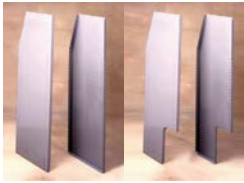
Lockable Storage Cabinets provide generous, secure storage. Cabinets include an adjustable shelf and locking handle.

- 021392KP** 24" H x 18.5" W x 12" D includes 1 shelf
- 024514KP** 24" H x 18.5" W x 16" D includes 1 shelf
- 026188KP** 24" H x 18.5" W x 16" D incl. 4 padded shelves
- 022466KP** 24" H x 18.5" W x 18" D includes 1 shelf
- 025841KP** 46" H x 18.5" W x 12" D includes 3 shelves

STEEL SHELVING

6-7

STEEL PRODUCTS CABINETS, DRAWERS & SHELVING



Tapered Uprights for use with contoured van walls. Use space saving uprights to maximize floor aisle space. Over-wheelwell uprights have reverse notch for installation over wheelwells. Sold as a set of two.

Standard Uprights

022395KP 46" H x 16" D

027167KP 46" H x 12" D

02A355KP 60" H x 16" D

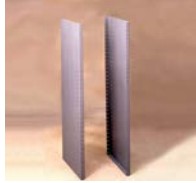
Space-Saving Uprights

02B762KP 46" x 16" D

02B885KP 46" x 12" D

Over-wheelwell Uprights

02D188KP 46" x 16"



Solid End Uprights sold as set of two.

023048KP 13" H x 12" D

022348KP 28" H x 12" D

022455KP 31" H x 12" D

022347KP 36" H x 12" D

025367KP 46" H x 12" D

026438KP 60" H x 12" D

024063KP 28" H x 16" D

025948KP 31" H x 16" D

022473KP 36" H x 16" D

022957KP 42" H x 16" D

026439KP 60" H x 16" D



Heavy Duty Stick Uprights can be used with 12", 16", and 22" deep shelves. Requires floor braces. Sold as set of four uprights.

021368KP 28" H

020031KP 31" H

021369KP 36" H

025366KP 46" H

026440KP 60" H

025336KP 72" H



Floor Braces - side braces for heavy duty uprights.

Side Braces

023054KP 12" D **025335KP** 22" D

022613KP 16" D (all sold as set of two)

Front Braces

023055KP 19" W **023056KP** 25" W

023057KP 31" W **023058KP** 37" W

023059KP 43" W **025680KP** 51" W

Floor Attachment Kits

02G056KP Ford Transit Connect

02J724KP RAM ProMaster City

02F601KP Nissan NV200

02F601KP Chevy City Express



Tool Drop Trays designed for 12" deep tapered shelf modules. Install in place of a top shelf to store tools.

Features a 3" lip.

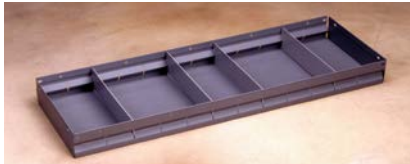
027165KP 37" W x 8" D

027792KP 43" W x 8" D

Divided Tool Drop Tray

02B894KP 37" W x 8" D

02B893KP Dividers (Set/5)



Parts Tray Shelves are formed with 3" deep lip; each shelf includes snap-in dividers. Additional dividers available (sold as set of four).

027478KP 25" W x 12" D

022898KP 31" W x 12" D

021389KP 37" W x 12" D

022215KP 43" W x 12" D

025842KP 51" W x 12" D

021391KP 12" dividers

026486KP 25" W x 16" D

025877KP 31" W x 16" D

025815KP 37" W x 16" D

025858KP 43" W x 16" D

025859KP 51" W x 16" D

027547KP 16" dividers



Steel Shelves

All shelves feature a fully hemmed perimeter edge for superior strength. Available as standard or heavy-duty. The 12" deep shelves have a 1" lip, the 16" and 22" deep shelves have a 2" lip.

Standard Shelves (20 GA)

021377KP 13" W x 12" D Shelf

021378KP 19" W x 12" D Shelf

021379KP 25" W x 12" D Shelf

021380KP 31" W x 12" D Shelf

021381KP 37" W x 12" D Shelf

021382KP 43" W x 12" D Shelf

025153KP 19" W x 16" D Shelf

022816KP 25" W x 16" D Shelf

022398KP 31" W x 16" D Shelf

022397KP 37" W x 16" D Shelf

022396KP 43" W x 16" D Shelf

Heavy Duty Shelves (16 GA)

025313KP 37" W x 12" D HD Shelf

025314KP 43" W x 12" D HD Shelf

025572KP 51" W x 12" D HD Shelf

025315KP 37" W x 16" D HD Shelf

025316KP 43" W x 16" D HD Shelf

025571KP 51" W x 16" D HD Shelf

025319KP 37" W x 22" D HD Shelf

025326KP 43" W x 22" D HD Shelf

027483KP 51" W x 22" D HD Shelf



Tilt Shelves are heavy gauge to support parts cabinets. Tilts back to keep drawers closed during transit.

022482KP 19" W x 12" D

020043KP 37" W x 12" D

022340KP 43" W x 12" D

029750KP 51" W x 12" D

025072KP 25" W x 16" D

02B022KP 31" W x 16" D

022531KP 37" W x 16" D

022532KP 43" W x 16" D

029811KP 51" W x 16" D

02B610KP 37" W x 22" D

02B611KP 43" W x 22" D



Universal Braces can be used to further secure drawers, cabinets and shelving to vehicle. Cut and bend to fit as necessary. T-brackets can be used to reinforce modules to side walls of van for heavy-duty applications.

Universal Attachment Brace

027651KP Set of six with fasteners

Heavy Duty T-Bracket

027652KP Set of six with fasteners



Automotive Grade Aerosol Texture Paint matches original equipment color. 12 fl. oz.

RM660104A Bell White

RM660135A Black

RM660151A Gray

SmartSpace® BASE PACKAGES

MASTERACK®



SmartSpace® is your innovative, modular cargo management system that offers a variety of adjustable shelves, drawers, and accessories for infinite storage possibilities. Made from structural foam and aluminum materials, this system provides weight savings over comparable steel interiors.

Installation kits required. Partitions sold separately (see pages 14-15).



Compact SmartSpace® Base Package

PACKAGE #OSS191KP

Part#	Description	Qty.
OSS155KP	SmartSpace® Shelving Module 44" H x 37" W x 12" D"	2

Applicable Installation Kits

Item#	Description	Item#	Description
OSS123KP	Ford Transit Connect	OSS139KP	Chevy City Express
OSS139KP	Nissan NV200	OSS182KP	RAM ProMaster City



Standard SmartSpace® Base Package

PACKAGE #OSS192KP

Part#	Description	Qty.
OSS150KP	SmartSpace® Shelving Module 44" H x 74" W x 16" D	1
OSS188KP	SmartSpace® Shelving Module 44" H x 37" W x 16" D	1

Applicable Installation Kits

Item#	Description	Item#	Description
OSS125KP	Ford Transit 130" WB Low Roof	OSS134KP	RAM ProMaster 118" WB Low Roof
OSS126KP	Ford Transit 148" WB Low Roof	OSS140KP	Nissan NV Standard Roof
OSS131KP	GM Express / Savana 135" WB	OSS142KP	Mercedes Sprinter (Standard Roof)
OSS132KP	GM Express / Savana 155" WB		



Tall SmartSpace® Base Package

PACKAGE #OSS193KP

Part#	Description	Qty.
OSS152KP	SmartSpace® Shelving Module 66" H x 74" W x 16" D	1
OSS189KP	SmartSpace® Shelving Module 66" H x 37" W x 16" D	1

Applicable Installation Kits

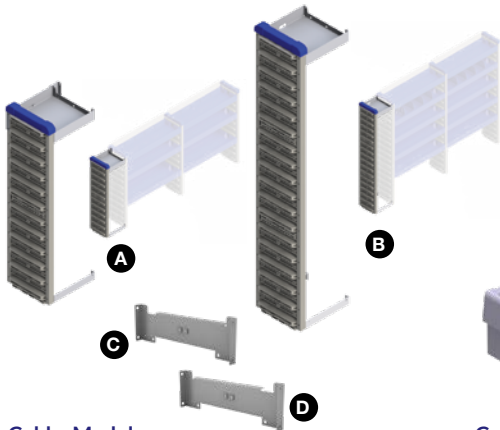
Item#	Description	Item#	Description
OSS127KP	Ford Transit 130" WB Med. Roof	OSS137KP	RAM ProMaster 159" WB High Roof
OSS128KP	Ford Transit 148" WB Med. Roof	OSS138KP	RAM ProMaster 159" ELWB High Roof
OSS129KP	Ford Transit 148" WB High Roof	OSS141KP	Nissan NV High Roof
OSS135KP	RAM ProMaster 136" WB Low Roof	OSS142KP	Mercedes Sprinter (High Roof)
OSS136KP	RAM ProMaster 136" WB High Roof	OSS130KP	Ford Transit 148" WB Ext High Roof



SmartSpace® Van Body Package

PACKAGE #OSS194KP

Part#	Description	Qty.
OSS152KP	SmartSpace® Shelving Module 66" H x 74" W x 16" D	2



Cubby Modules

Add a cubby module to any base package to create more room for smaller items. Cubby modules can be installed at 90 or 180 degrees for rear or side door access. Add drawers, 12" shelves, and trade accessories to customize your cubby.

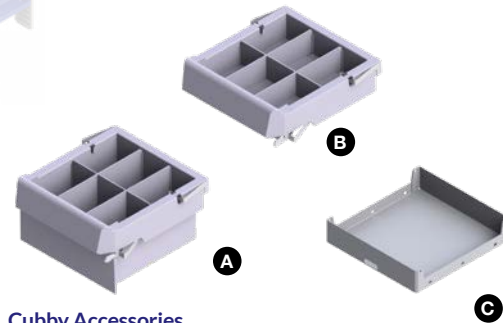
Note: Rotation brackets needed to rotate module 90 degrees (one per shelf).

A / **OSS104KP** Cubby Module 44" H x 14" W x 12" D

B / **OSS105KP** Cubby Module 66" H x 14" W x 12" D

C / **OSS051LKP** Rotation Brackets - Streetside

D / **OSS051RKP** Rotation Brackets - Curbside



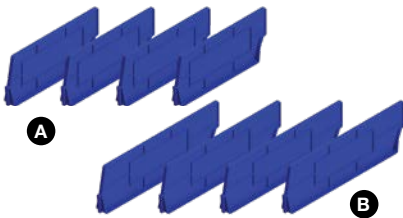
Cubby Accessories

Add drawers and shelves to any 12" W cubby module, which requires no tools to install or reconfigure!

A / **OSS106KP** Large Drawer w/ Dividers 12" W x 6" H x 12" D

B / **OSS107KP** Small Drawer w/ Dividers 12" W x 3" H x 12" D

C / **OSS113KP** Shelf Kit 12" W x 12" D

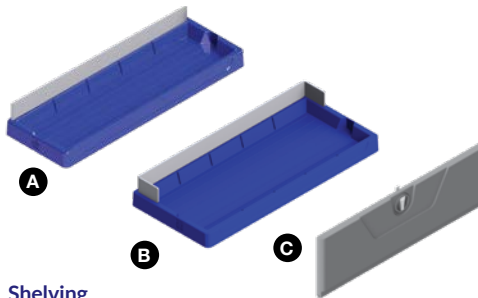


Shelf Dividers

Drop-in dividers are lightweight composite and minimize rattling of tools and cargo.

A / **OSS109KP** Dividers 12" D - Set of 4

B / **OSS110KP** Dividers 16" D - Set of 4



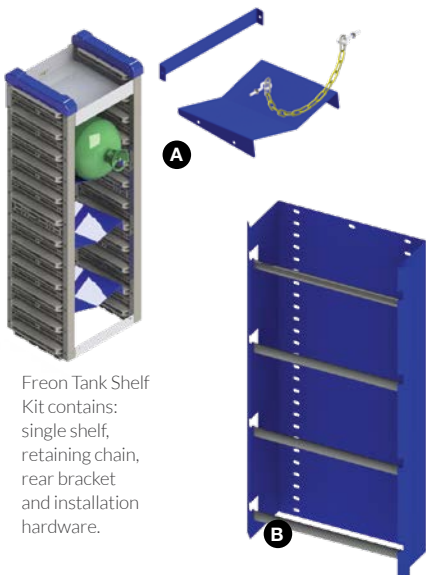
Shelving

Customize your shelving modules with additional components. Components require no tools to install or reconfigure!

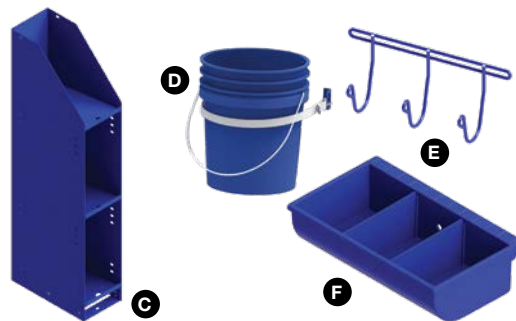
A / **OSS111KP** Shelf Kit w/ Shelf Back 37" W x 12" D

B / **OSS112KP** Shelf Kit w/ Shelf Back 37" W x 16" D

C / **OSS114KP** Locking Storage Door 37" W x 12" H



Freon Tank Shelf Kit contains: single shelf, retaining chain, rear bracket and installation hardware.



Trade Accessories

Looking for accessories to fit your trade? SmartSpace® has solutions for many applications!

A / **OSS115KP** Steel 30# Freon Tank Shelf Kit (One shelf per kit)

B / **OSS117KP** Steel Wire Spool Rack

C / **OSS116KP** Steel Manual Rack

D / **OSS118KP** Storage Bucket & Holder

E / **OSS119KP** Steel Triple Utility Hook

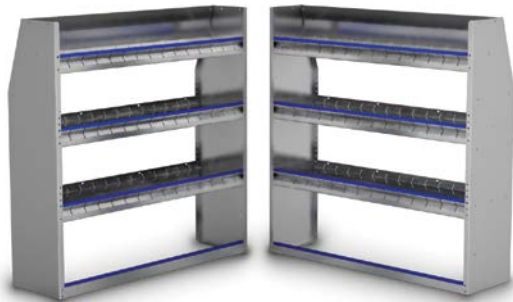
F / **OSS108KP** Composite Parts Bin w/ Dividers 10" W x 3" H x 6" D

ALUMINUM BASE PACKAGES



This lightweight interior has adjustable shelving and drop-in composite dividers. Add accessories to customize for your needs. Made in the USA.

Partition sold separately (see pages 14-15).



Compact Aluminum Base Package

Applicable to Ford Transit Connect, Chevy City Express, RAM ProMaster City and Nissan NV200

PACKAGE #OAL102KP		
Part#	Description	Qty.
0AL137KP	Aluminum Shelving Module 44" H x 37" W x 12" D"	2

Applicable Installation Kits

Item#	Description	Item#	Description
02G056KP	Ford Transit Connect	02F601KP	Chevy City Express
02F601KP	Nissan NV200	02J724KP	RAM ProMaster City

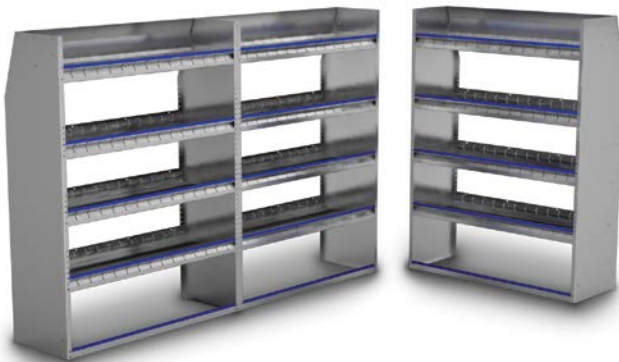
Note: Installation kits recommended for no-drill installation



Standard Aluminum Base Package

Applicable to Ford Transit Low Roof, GM Express/Savana and Nissan NV Standard Roof

PACKAGE #OAL100KP		
Part#	Description	Qty.
0AL143KP	Aluminum Shelving Module 44" H x 43" W x 12" D	1
0AL243KP	Aluminum Shelving Module 44" H x 43" W x 16" D	2



Tall Aluminum Base Package

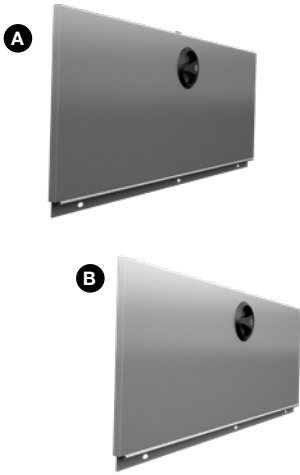
Applicable to Ford Transit Medium & High Roof, Ram ProMaster Low & High Roof, Nissan NV High Roof and Mercedes Sprinter

PACKAGE #0AH101KP		
Part#	Description	Qty.
0AH243KP	Aluminum Shelving Module 58" H x 43" W x 16" D	3

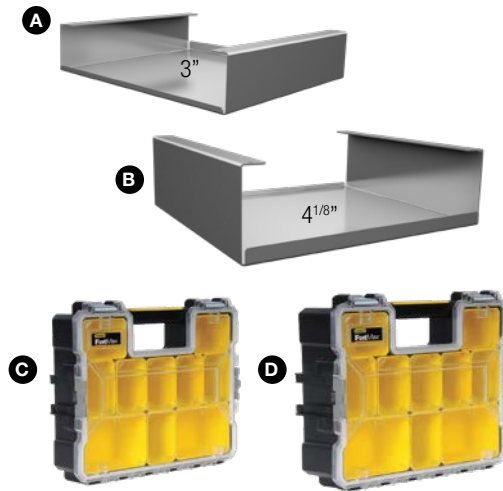
ALUMINUM ACCESSORIES

10 - 11

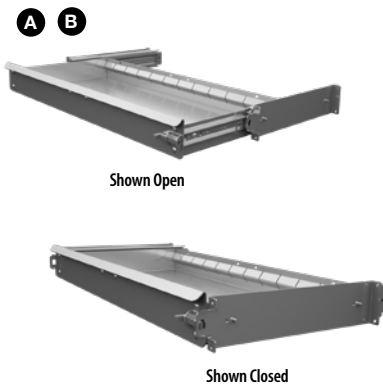
ALUMINUM PRODUCTS BASE PACKAGES & ACCESSORIES



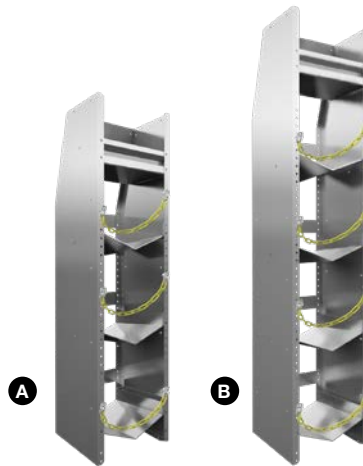
Locking Storage Doors
A / OAL022KP 37" W Locking Door
B / OAL023KP 43" W Locking Door



Toolbox Cradles
A / OAL026KP Toolbox Cradle 3" D
B / OAL027KP Toolbox Cradle 4.5" D
C / O2J704KP Small Toolbox 14" H x 17.5" W x 2.5" D
D / O2J705KP Large Toolbox 14" H x 17.5" W x 4" D



Drawer Units
A / OAL028KP Drawer Unit 16" x 37"
B / OAL029KP Drawer Unit 16" x 43"



Freon Tank Racks
A / OAL021KP Freon Tank Rack 44" H 3 x 30 lbs
B / OAH005KP Freon Tank Rack 58" H 4 x 30 lbs



Steel And Composite Accessories
A / OSS116KP Steel Manual Rack
B / OSS117KP Steel Wire Spool Rack
C / OSS118KP Storage Bucket & Holder
D / OSS119KP Steel Triple Utility Hook
E / O21471KP Composite Storage Bins (Set/4)

*fits on 12" shelves

BASE PACKAGES

Aluminum folding shelves are there when you need them, and can be folded out of the way when you don't.

Partitions sold separately (see pages 14-15).



Aluminum Folding Shelving Standard Package

*Applicable to Ford Transit Medium Roof 130" WB, and
RAM ProMaster 136" WB*

PACKAGE #02G136KP

Part#	Description	Qty.
02H279KP	Aluminum Shelving Street Side 94" W x 20" D	1
02H280KP	Aluminum Shelving Curb Side 50" W x 20" D	1



Aluminum Folding Shelving Long Package

*Applicable to Ford Transit Medium & High Roof 148" WB,
RAM ProMaster 159" WB, and all Sprinters*

PACKAGE #02G137KP

Part#	Description	Qty.
02H281KP	Aluminum Shelving Street Side 94" W x 20" D	1
02H282KP	Aluminum Shelving Curb Side 75" W x 20" D	1

This system is designed to be modular so parts can be interchanged when switching vehicles. Below are some kits designed for popular vehicles on the market. The mounting kits include:

1. No-Drill Vehicle Base
2. Pole System. Some vehicle bases include a welded lower pole.
3. Motion Attachment
4. Support Brace



NotePad V - Universal Cradle

UNIVERSAL CRADLES

Part #	Description
02K141KP	NotePad V - Universal Laptop Cradle
02K142KP	NotePad V - LT - Universal Tablet Cradle

* All cradles require vehicle kit for installation



VEHICLE KITS

Part	Make	Model
02K126KP	Nissan	NV (2011+)
02K127KP	Nissan	NV200 (2010+)
02K127KP	Chevrolet	City Express (2015+)
02K132KP	Ford	Transit (2015+)
02K133KP	Ford	Transit Connect (2014+)
02K134KP	Chevrolet	Express / Savana Van (2010+)
02K138KP	RAM	ProMaster (2014+)
02K139KP	RAM	ProMaster City (2015+)
02K140KP	Mercedes	Sprinter (2004+)

STEEL PARTITIONS



027088KP Partition SL HM PR
027250KP GM Express / Savana
 Attachment Panels

- Exclusive non-glare black finish for superior rear and side visibility.
- Tough finish provides scratch resistance.
- Easy installation; complete instructions and hardware included.
- Some attachment panels sold separately.

Note: P - Perforated S - Solid H - Hinged L - Left M - Middle R - Right

STEEL PARTITION ORDERING GUIDE

	No Center Door			With Hinged Door		Attachment Panels Required
	PL - PM - PR	SL - PM - PR	SL - SM - SR	PL - HM - PR	SL - HM - PR	
FORD						
Transit (Low Roof)	027083KP	027084KP	027086KP	027087KP	027088KP	02H369KP
Transit (Medium Roof)	02J178KP	02J177KP	02J176KP	02J181KP	02J180KP	02H370KP
Transit (High Roof)	02J178KP	02J177KP	02J176KP	02J181KP	02J180KP	02H371KP
GM						
Express / Savana	027083KP	027084KP	027086KP	027087KP	027088KP	027807KP
RAM						
ProMaster (Low & High Roof)	02J178KP	02J177KP	02J176KP	02J181KP	02J180KP	02G731KP
NISSAN						
NV (Standard Roof)	027083KP	027084KP	027086KP	027087KP	027088KP	02E316KP
NV (High Roof)	-	-	-	02E382KP	02E386KP	Included
SPRINTER						
Mercedes Sprinter (Low Roof)	02A365KP	02A366KP	-	02A367KP	02A368KP	Included
Mercedes Sprinter (High Roof)	02A365KP	02A366KP	-	02A367KP	02A368KP	02A375KP
COMPACT VANS						

	PL-PR
Ford Transit Connect	02F824KP
Chevrolet City Express	02F590KP
RAM ProMaster City	02J644KP
Nissan NV200	02F590KP

POLYCARBONATE COVER PANELS FOR STEEL PARTITIONS ORDERING GUIDE

Platform	Left, Center, Right	Center, Right	Left, Right
GM Express / Savana	027345KP	027343KP	-
Chevrolet City Express	-	-	02F591KP
Ford Transit (Low Roof)	027345KP	027343KP	-
Ford Transit (Medium & High Roof)	02K983KP	02G485KP	-
Ford Transit Connect	-	-	02B959KP
RAM PROMASTER	02K983KP	02G485KP	-
RAM ProMaster City	-	-	02B959KP
Nissan NV (Standard Roof)	027345KP	027343KP	-
Nissan NV (High Roof)	027643KP	027644KP	-
Nissan NV200	-	-	02F591KP
Mercedes Sprinter	027643KP	027644KP	-



LIGHTWEIGHT COMPOSITE & WIRE PARTITIONS

14 - 15

PARTITIONS STEEL PARTITIONS COMPOSITE & WIRE PARTITIONS ACCESSORIES

- Easy Assembly.
- Lightweight, yet strong.
- Includes assembly and installation instructions and hardware.
- Wire partitions offer maximum visibility.



028583KP shown

02J111KP shown

02F823KP shown

COMPOSITE PARTITION ORDERING GUIDE	
Part #	Platform
02H237KP	Ford Transit Connect (2014+)
02K122KP	Ford Transit (Medium Roof)
02K123KP	RAM ProMaster (Low Roof)
02K123KP	RAM ProMaster (High Roof)
02J111KP	Nissan NV200
02J111KP	Chevrolet City Express
028583KP	GM Express / Savana

WIRE PARTITION ORDERING GUIDE	
Part #	Platform
02F823KP	Ford Transit Connect
02F589KP	Nissan NV200
02F589KP	Chevrolet City Express
02J643KP	RAM ProMaster City

PARTITION ACCESSORIES

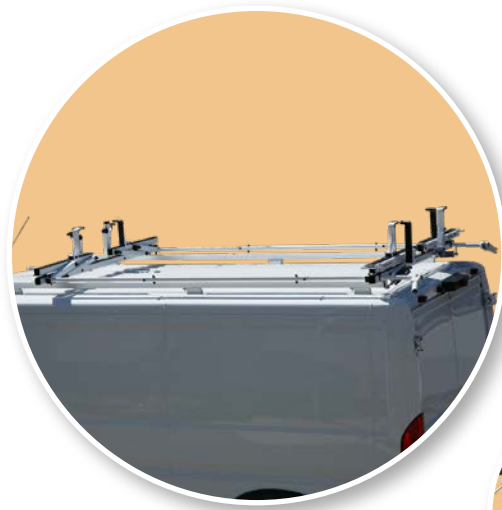
Accessories fit partitions or mount on vertical surfaces in the cargo area.

PARTITION ACCESSORIES ORDERING GUIDE		
Part #	Item	Description
025536KP	Head Impact Pad	Vinyl covered dense foam pad; 7" H x 12" W x 4" Thick
022181KP	Triangle Reflector Kit	Three D.O.T. approved safety reflectors with storage case.
027512KP	Triangle Reflector Kit Holder	Metal pocket holds 022181 Reflector Kit.
021782KP	First Aid Kit	Ten-unit kit includes first aid supplies in a storage case. OSHA compliant with individually packaged items.
020122KP	First Aid Kit Holder	Secure first aid kit to partition. 9" W x 3" D
020982KP	Fire Extinguisher 2.5 lb.	Class 1-A: 10-B: C 2-1/2 lb. rechargeable dry chemical extinguisher with mounting bracket. UL approved meets DOT requirements.
026383KP	Fire Extinguisher 5 lb.	Class 3-A: 40-B: C 5 lb. rechargeable dry chemical extinguisher with mounting bracket. UL approved meets DOT requirements.



ERGORACK®

Award winning aluminum ergonomic ladder rack solution.



- Hydraulic cylinder reduces muscle strain.
- Improves gas mileage by being lighter than similar steel ladder rack solutions.
- Reduce install time and improve resell with no holes to drill.
- Reduce theft; lockable.

Ergorack®

As shown: **02G625** RAM ProMaster Low Roof (Clamp + Rotation)



Ergorack®

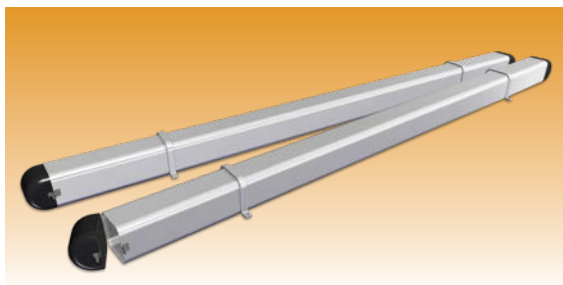
As shown: **02G625KP**

RAM ProMaster Low Roof (Double Rotation)

Description	GM Express / Savana	Chevrolet City Express	Ford Transit Connect (106" WB)	Ford Transit Connect (121" WB)	Nissan NV (High Roof)	Nissan NV (Standard Roof)	Nissan NV200	Mercedes Sprinter
Single Rotation	02F071KP	02K111KP	02H358KP	02H359KP	02F180KP	02F181KP	02K111KP	02F177KP
Double Rotation	02E892KP	02J166KP	02H361KP	02H362KP	02F169KP	02F170KP	02J166KP	02F166KP
Combo (Clamp + Rotation)	02F447KP	02K112KP	02H360KP	02H351KP	-	-	02K112KP	-

RAM ProMaster	Low Roof (118"WB)	Low Roof (136"WB)	High Roof (136"WB)	High Roof (159"WB)	High Roof (159" Ext WB)	Ford Transit	Low Roof (130"WB)	Medium Roof (130"WB)	Low Roof (148"WB)	Medium Roof (148"WB)	High Roof (148"WB)	High Roof (148" WB EXT)
Single Rotation	02F178KP	02G622KP	02G481KP	02G623KP	02G624KP	Single Rotation	02G150KP	02G744KP	02G741KP	02G689KP	02G148KP	02J459KP
Double Rotation	02G482KP	02G625KP	02G480KP	02G626KP	02G627KP	Double Rotation	02G484KP	02G745KP	02G742KP	02G690KP	02G149KP	02J460KP
						Combo	02J327KP	-	02K103KP	-	-	-

ERGORACK® ACCESSORIES



Conduit Tubes are lightweight and aerodynamic. They can be added to carry lengthy materials.

- 02G119KP** 5" x 5" x 8.5'
- 02F502KP** 5" x 5" x 10'
- 02G120KP** 5" x 5" x 12.5'



Strobe Light Mounting Brackets easily mount a flashing strobe to either a conduit tube or attach to the ladder rack. There are no holes to drill.

- 02G164KP** Any ErgoRack® model
- 02G121KP** Any ErgoRack® with a Conduit Tube



Rear mirror available in two different lengths.

- 02C351KP** Any ErgoRack® (22")
- 02C352KP** Any ErgoRack® with a streetside rotation feature.

SLIDE-DOWN™ LADDER RACK

Easily lowers ladder within arms reach.

- Actuator handle pivots ladder to side of van for safe, efficient operation.
- Partially-assembled racks include assist to help gently lower ladder and reduce wear.
- Zinc-plated and powder-coated for maximum outdoor protection.
- All ladder contact areas protected with vinyl covered stops and anti-skid strips.
- Includes padlock feature for security.
- Adjustable to fit different extension ladders.



Slide-Down Ladder Rack
 As shown: **02J024KP**
 Single Slide-Down Ladder Rack & Upgrade
021226KP (Transit Low Roof)



Partially Assembled (Includes Assist)	GM Express / Savana	Chevrolet City Express	RAM ProMaster City	Ford Transit Connect (106" WB)	Ford Transit Connect (121" WB)	Ford Transit Low Roof (130" WB)	Nissan NV200
Single Slide-Down Ladder Rack	026199KP	02F593KP	02J647KP	02H286KP	02G059KP	02J024KP	02F593KP
Double Slide-Down Ladder Rack	027966KP	02F596KP	02J648KP	02H287KP	02G060KP	02J025KP	02F596KP
Slide-Down Upgrade	025573KP	02G099KP	-	02H744KP	02A061KP	025573KP	02G099KP

*Locking Ladder Rack upgrade (see page 18).

SLIDE-DOWN LADDER RACK ACCESSORIES

(Also fit Locking Ladder Racks - see page 18)



4" dia. and 6" dia. PVC Carrier Kits feature steel end caps with easy opening hinged door. Mounting straps attach carrier to ladder rack. Use Schedule 40 PVC (not included).

- 021452KP** 4" dia. Conduit Carrier Kit
- 021453KP** 6" dia. Conduit Carrier Kit



Strobe Light and Mounting Base Attach to crossbow, raising light for visibility. Amber 12V strobe light easily mounts to universal mounting bases.

- 025085KP** Strobe Light
- 024223KP** Strobe Light Base, Short
- 024224KP** Strobe Light Base, Tall

LOCKING LADDER RACK

Unequaled for ease-of-use and dependability.



- Easy-to-use clamping action secures ladders in place.
- Easily load and unload from side of vehicle for safe, efficient operation.
- Zinc-plated and powder-coated for maximum outdoor protection.
- With only one moving part, ladder rack is designed to be maintenance-free for a lifetime.
- Many racks install to existing vehicle hardware. No drilling required. Other racks include roof-mounted bolt-through feet and reinforcement plates; some drilling is required.
- Adjustable to fit multiple step and extension ladders.

FEATURES



Lockable for security. Simply lock the handle with a standard padlock to protect the ladder from theft.



Vinyl Coated clamps resist abrasion. The convenient operating handle securely locks ladders in place.



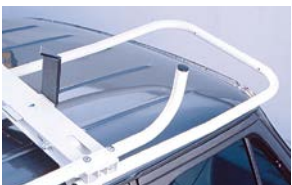
Extended Front Stop is fully adjustable to accommodate step and combination ladders. Included in streetside upgrade racks.

Description	GM Express / Savana	Chevrolet City Express	RAM ProMaster City	Ford Transit Connect (106" WB)	Ford Transit Connect (121" WB)	Ford Transit Low Roof (130" WB)	Nissan NV200
Single Locking Ladder Rack for Extension Ladders	022550KP	02F592KP	02J645KP	02H285KP	02G057KP	02J058KP	02F592KP
Locking Ladder Rack - Streetside Upgrade for Step/Combination Ladders	021226KP	02F595KP	02J646KP	02H289KP	021228KP	021226KP	02F595KP
Accessory							
Ladder Protection Kit	022445KP						



Single Locking Ladder Rack

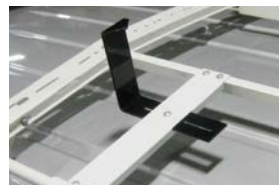
LOCKING LADDER RACK ACCESSORIES



Ladder Rack Extension provides additional 24" of support when carrying longer ladders. Easily bolts to front crossbow. Use with locking ladder racks.
020940KP Ladder Rack Extension



Crossbow Tie Down Kit includes vinyl coated front stop, two side stops, and nylon tie-down straps.
025633KP Crossbow Tie Down Kit



Crossbar Assembly is added to locking ladder racks to accommodate smaller step ladders.
028527KP 6' Standard Ladder Crossbar Assembly



Single Locking Ladder Rack With Streetside Upgrade

UTILITY CARRIER

Heavy-duty utility carriers are the economical choice for a variety of uses.

- Ladders, pipe, or most any cargo can be carried securely.
- Heavy gauge steel construction, zinc plated, and powder coated for maximum weather protection.
- Utility carriers consist of two crossbows with tall outer stops.
- No drilling into the roof is required.



Utility Rack
As shown includes:
02J056KP Utility Carrier - Ford Transit Low Roof

Description	GM Express / Savana	Chevrolet City Express	RAM ProMaster City	Ford Transit Connect	Ford Transit Low Roof	Nissan NV200
Utility Carrier	022553KP	02F594KP	02J649KP	02G058KP	02J056KP	02F594KP

UTILITY CARRIER ACCESSORIES



Utility Tie Down Kit includes front stop and straps to secure ladders.
020229KP Utility Tie Down Kit



Customize your vehicle to fit your needs



MANUAL & DOCUMENT STORAGE



Manual Rack
Contains three shelves to carry catalogs or parts manuals.
025522KP 36" H x 6" W x 12" D

Work Order File
Six pocket holder for manuals and orders. Solid steel construction.
026892KP 27" H x 12" W x 5" D



Cab Organizer
021742KP 20" H x 13" W x 16" L

- Fits in GM Express / Savana, Nissan NV, Mercedes Sprinter (without center console)
- Organize the driver area safely and ergonomically.
- Provides a secure location for valuables.
- Includes hangers for file folders.



Mini Cab Organizer
022536KP 18" H x 7" W x 14" L

*02J192KP (bracket) is required to install 022536KP in Ford Transit and RAM ProMaster

FLOOR DRAWERS

Heavy duty drawers with smooth glide rollers provide secure, lockable storage for parts, tools, and equipment. Safely latches when closed. Includes adjustable dividers and anti-skid strips on top.

FLOOR DRAWER ORDERING GUIDE

Part #	Dimensions	Number of Drawer Sections	Number of Dividers
025344KP	12" W x 12" H x 48" D	1	6
025327KP	20" W x 12" H x 48" D	1	6
026058KP	30" W x 10" H x 50" D	3	12
026147KP	40" W x 10" H x 50" D	4	16



WINDOW SCREENS

Deter theft and protect windows with welded wire window screens. Non-glare black powder coat finish. Contoured to fit your vehicle's windows

02G051KP Transit Connect Rear Door Screen



WINDOW SCREEN ORDERING GUIDE

Vehicle	Rear Doors	Side Hinged	Side Sliding	Liftgate
GM Express/Savana	027594KP	027593KP	027592KP ¹	–
Chevrolet City Express	02F598KP	–	02J087KP (Set/2)	–
Ford Transit (Low Roof)	02G488KP	02H819KP	02G489KP ¹	–
Ford Transit (High Roof)	02G144KP	–	02G145KP ¹	–
Ford Transit Connect (106" WB)	02G051KP	–	02G055KP (Set/2)	02F830KP
Ford Transit Connect (121" WB)	02G051KP	–	02G048KP (Set/2)	02F830KP
RAM ProMaster	02G477KP	–	02G479KP ¹	–
RAM ProMaster City	02J651KP	–	02J650KP (Set/2)	–
Nissan NV	02E387KP	–	02E388KP	–
Nissan NV200	02F598KP	–	02J087KP (Set/2)	–
Mercedes Sprinter	02B128KP	–	02B127KP	–

20 - 21

ACCESSORIES

MANUAL &
DOCUMENT
STORAGE

FLOOR
DRAWERS

WINDOW
SCREENS

INTERIOR
ACCESSORIES

INTERIOR ACCESSORIES



Hard Hat Holder mounts to partition or shelving unit. Holder will securely store standard hard hat.
027504KP 16" H x 12" W



Single Tank Holder mounts to partition or shelving.
026741KP



Vise Mount telescopes out van door to handle long material lengths. Floor mounted, accepts standard vise.
025162KP 36" closed x 60" extended



Door Storage Tray mounts to hinged cargo door or vertical surface for convenient storage of small parts. Each tray is 3.5" H x 18" W x 4.5" D
022678KP Single Tray with Lid and Dividers
022679KP Triple Tray with Lid and Dividers





FLOORING

Constructed of heavy duty rubber, Rubber Cargo Mats offer effective protection from scratches, dents, and spills. The unique anti-skid, air cushion design looks good and muffles sound. Mats are custom cut for each type of vehicle. Mats are approximately 1/8" thick.

CARGO MAT ORDERING GUIDE

Part #	Wheelbase	Platform
024075KP 025803KP	135" WB 155" WB	GM Express/Savana
02E327KP	240.6" WB	Nissan NV
02G469KP 02G470KP 02G471KP 02G472KP	118" WB 136" WB 159" WB 159" EWB	RAM ProMaster
02J628KP	122" WB	RAM ProMaster City

CARGO MAT ORDERING GUIDE

Part #	Wheelbase	Platform
02H376KP 02H377KP 02H378KP	130" WB 148" WB 148" WB EXT.	Ford Transit
02G041KP 02G040KP	106" WB 121" WB	Ford Transit Connect
02A428KP 02B760KP	144" WB 170" WB	Mercedes Sprinter

EXTERIOR ACCESSORIES



Bumper-Mounted Safety Cone Holder is an effective way to carry safety cones and free up interior space. Holds up to four cones.

021604KP Bumper Cone Holder

*Not recommended for use on Ford Transit



Rear Crossview Mirror for improved rear visibility. White finish.

024145KP GM Express/Savana mirror

02H891KP Ford Transit mirror

02G872KP Ford Transit Connect mirror

027866KP Mercedes Sprinter mirror

022973KP 3" Round Blind Spot mirror, stick-on.



Slick Locks - Hasp & Locks eliminate damage to your vehicle by mounting hasps to factory holes inside the door. Add lock spinners for added security. Lock sold separately.

The Blade by Slick Locks

02D472KP GM Express/Savana Side/Rear Hinged Doors (Set/2)

02H704KP GM Express/Savana Sliding Door (Set/2)

02K427KP Chevrolet City Express (Set/3)

02J359KP Ford Transit Side Sliding/Rear Hinged Door (Set/2)

02J360KP Ford Transit Side/Rear Hinged Door (Set/2)

02J361KP Ford Transit Driver's Side Door (Set/1)

02H238KP Ford Transit Connect (Set/3)

02H442KP RAM ProMaster (Set/2)

02K426KP Nissan NV (Set/2)

02K427KP Nissan NV200 (Set/3)

02H441KP Mercedes Sprinter (Set/2)

02D474KP Spinner 360*

02D476KP Puck Locks (Set/2)

02D687KP Puck Locks (Set/3)



CARGO PROTECTION PACKAGES

22 - 23

ACCESSORIES

FLOORING

EXTERIOR

ACCESSORIES

CARGO

PROTECTION

PACKAGES

- MASTERACK® Cargo Protection Packages protect your investments in your work van and your cargo, preventing dents and scratches over years of use.
- Wall panels with protective ribs are molded to fit the van walls.
- Shelving modules and interior packages can be used with cargo protection packages.

See page 22 for optional Floor Mat ordering guide.

Partitions sold separately (see pages 14-15).



WALL LINER ORDERING GUIDE

Part #	Platform
02J170KP	GM Express / Savana 135" WB
02J264KP	Chevrolet City Express
02H235KP	Ford Transit Connect 121" WB
02K125KP	Ford Transit 148" WB Medium Roof Single Door
02K124KP	RAM ProMaster 136" WB Low Roof Dual Door
02J169KP	RAM ProMaster 136" WB High Roof Single Door
02J168KP	RAM ProMaster 136" WB High Roof Dual Door
02H494KP	RAM ProMaster 159" WB High Roof Single Door
02H495KP	RAM ProMaster 159" WB High Roof Dual Door
02J264KP	Nissan NV200
02J171KP	Nissan NV High Roof





MASTERACK®

TAILOR FIT FOR A JOB DONE RIGHT

Distributed by:



2400 Mellon Court, Decatur, GA 30035 | USA: 800.222.8785
Distributor Hotline: 800.222.8785 | sales@MASTERACK.com