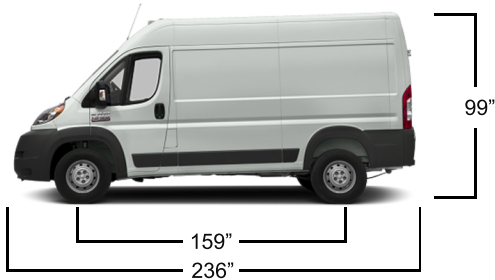
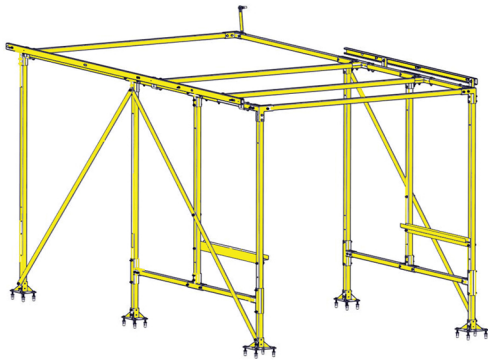


## WALLSLIDE™ FITMENT GUIDE

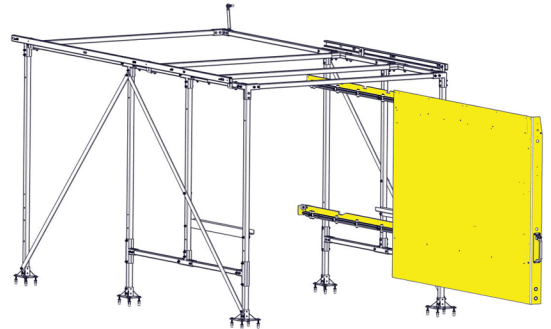
### RAM PROMASTER HIGH ROOF 159WB



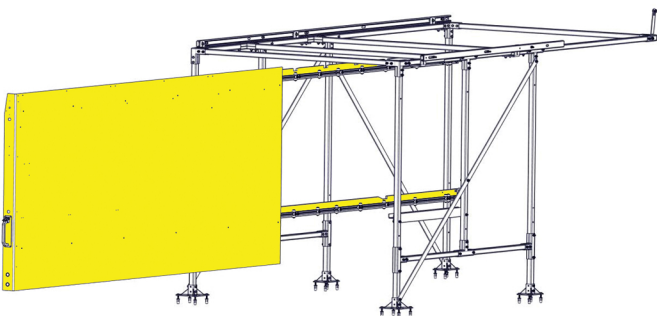
The **WALLSLIDE** System is a steel framework mounted inside the van with aluminum sliding walls. From motorized walls to lighting, **WALLSLIDE** is fully customizable with several options and designed to attach most brands of shelving, bins, or containers onto the sliding walls.



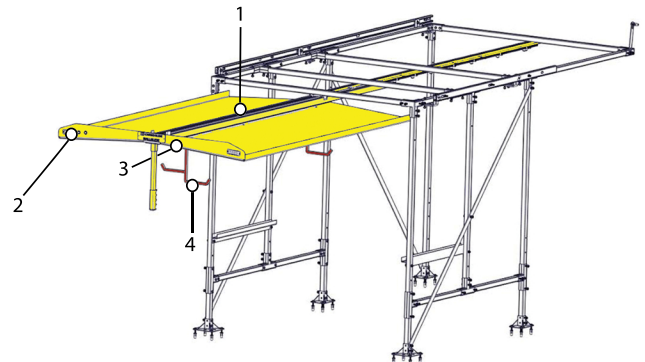
**WSS450 - Framework Only \*\$1,102**



**WSS452 - Right 84" Wall (no shelving) \*\$2,754**



**WSS451 - Left 110" Wall (no shelving) \*\$3,578**

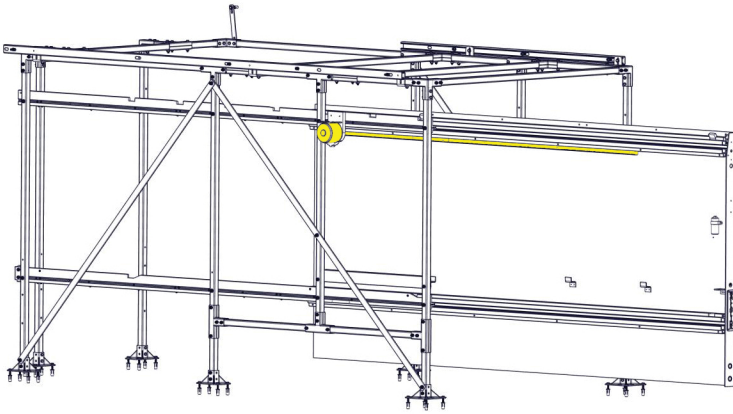


- 1 **WSR450 - Ceiling Slide Rail Only \*1,359**
- 2 **WSC450 - Ceiling Canopy \*2,156**
- 3 **WSL072 - 72" Light Strip \*\$166**
- 4 **WSLadder1 - Fixed Ladder Racks \*\$61**  
**WSLadder1F - Foldable Ladder Racks \*\$77**

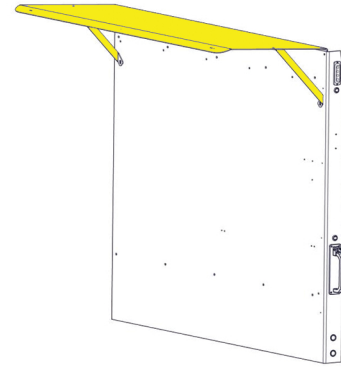
\*Prices are MSRP

# CARGOGLIDE WALLSLIDE

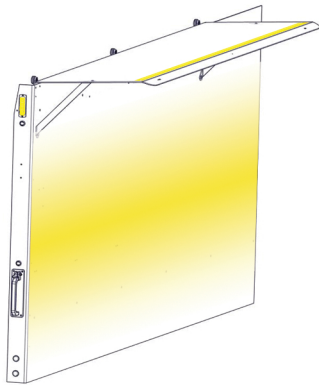
## RAM PROMASTER HIGH ROOF 159WB



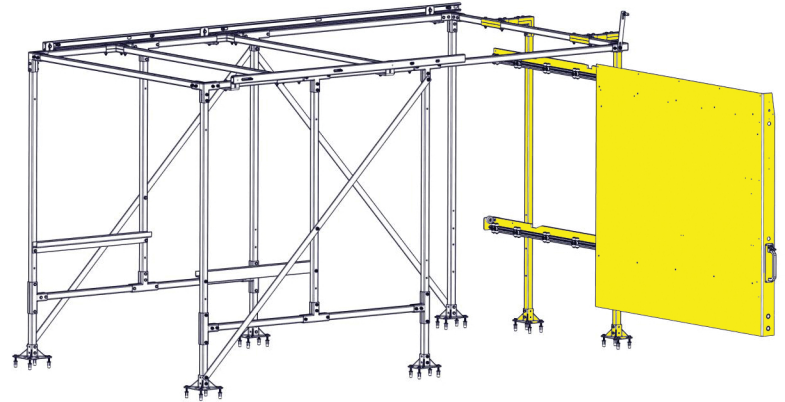
**WSMotor110** - Motorized 110" Left Wall \*\$1,259  
**WSMotor084** - Motorized 84" Right Wall \*\$1,259



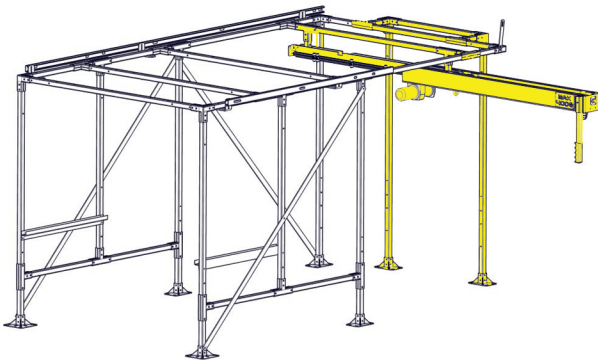
**WPC110** - Wall Weather Canopy \*\$222  
**WPC084** - Wall Weather Canopy \*\$222



**WSL006** - 6" Strobe Light \*\$60  
**WSL048** - 48" Light Strip for WPC084 \*\$138  
**WSL072** - 72" Light Strip WPC110 \*\$166



**WSB430** - BulkHead Framework & Wall Only  
Available Upon Request



**WSGantry450** - Gantry Crane \*\$1,988



**WALLSLIDE** Systems are compatible with **CARGOGLIDE** floor units that pull out of the rear and side of your van.