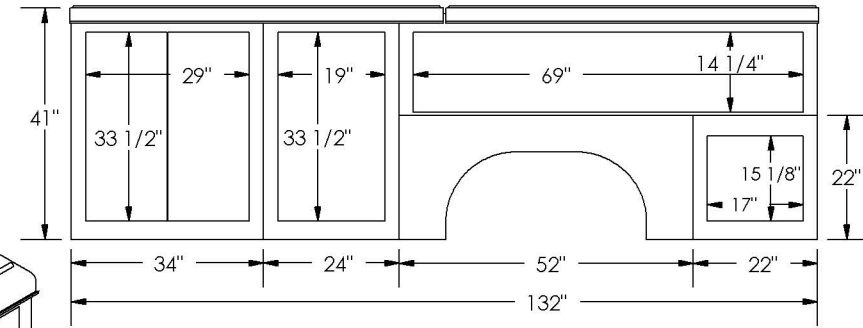
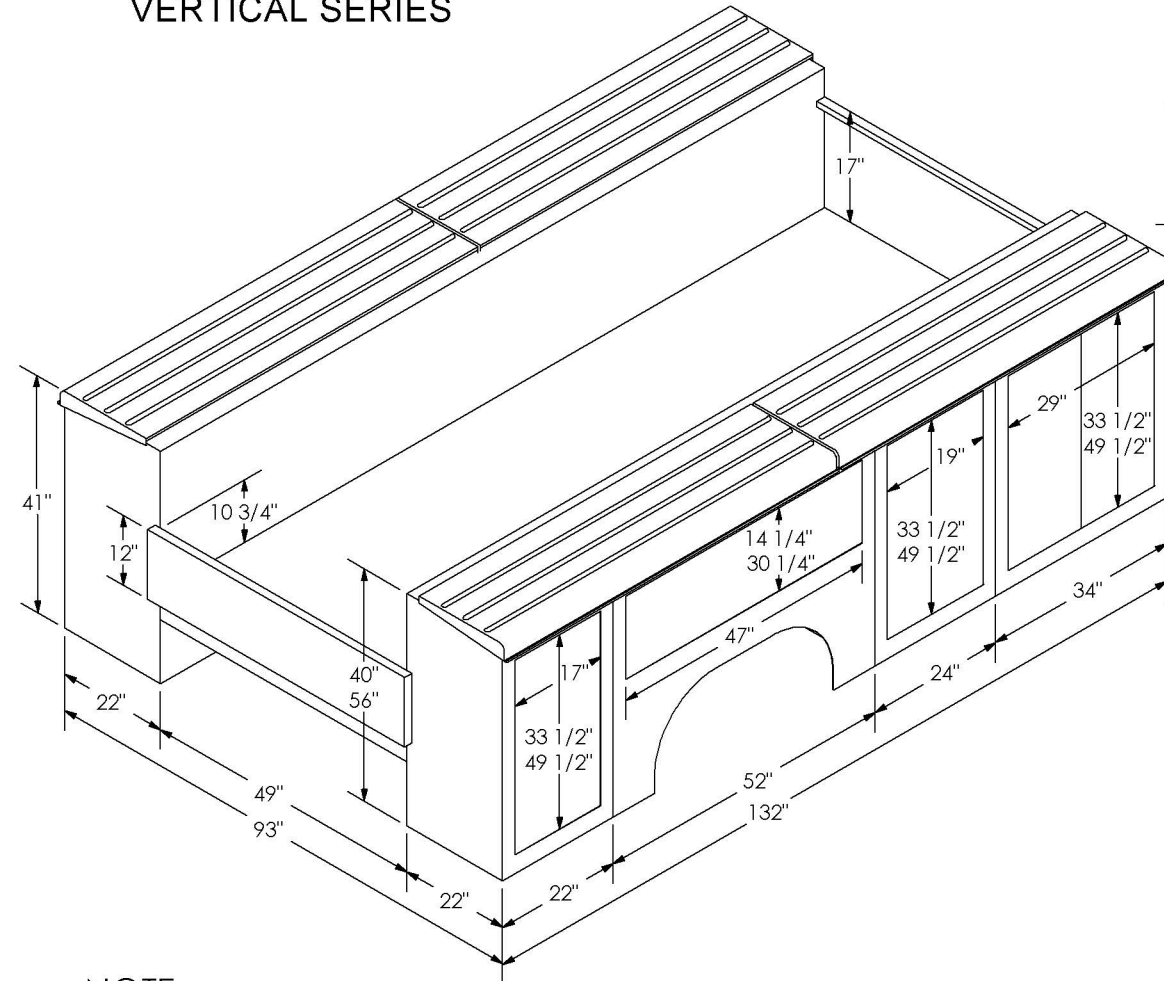


FORD 11-FT TRADEMASTER AND MAXIMIZER DIMENSIONS

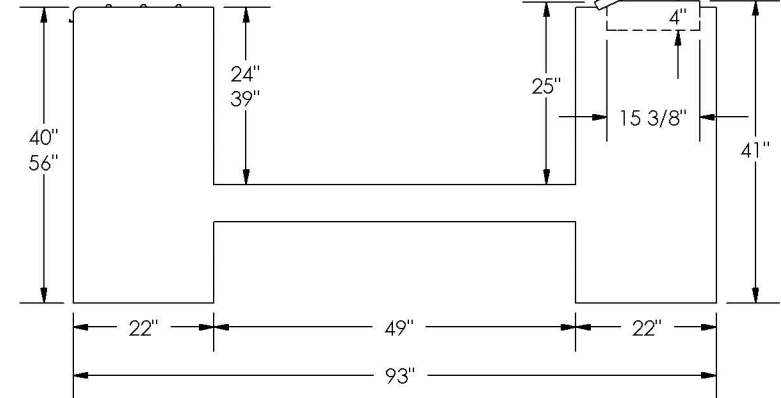
HORIZONTAL SERIES



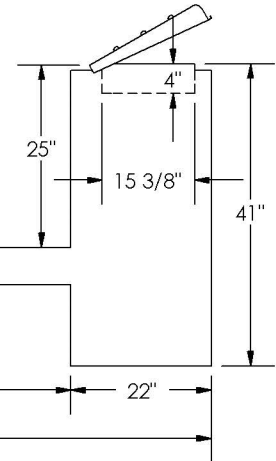
STANDARD OPEN-TOP VERTICAL SERIES



CLOSED-TOP MODEL



OPEN-TOP MODEL



- NOTE:
- 1) DOOR COMPARTMENT DIMENSIONS ARE THE CLEAR DOOR OPENING.
 - 2) TOP VERTICAL DIMENSIONS ARE STANDARD HEIGHT BODIES, BOTTOM DIMENSIONS ARE MAXIMIZER BODIES.
 - 3) COMPARTMENT DEPTH DIMENSIONS SHOWN ARE STANDARD.