



LandscaperPro





Morgan sets the standard, offering an electric dual action hoist and a reinforced 36" Cab shield to protect your cab with taller side gussets and 4 D-rings to provide ample cargo storage.



Rear Doors



Swing open barn style doors with steel tube frame work and cam action lock rods and door hold backs.



Landscapers, maintenance crews, contractors, material suppliers and tradesmen of all kinds know there's no room in the schedule to work "around" the limits of your truck, or deal with breakdowns.

With over 60 years as THE LEADER in innovative body design and quality construction, Morgan KNOWS what it takes to satisfy your needs; and that includes making your work easier, and more efficient.

From standard features that exceed expectations, to options that accommodate even the most unique requirements, Morgan's LandscaperPro truck body delivers what you need...and MORE!

Morgan bodies are engineered to provide superior strength, regardless of the body size you choose. Steel I-beam construction, heavy-duty 10 Gauge Steel flooring, steel rub-rails and LED lighting, are just a few of the standard features that result in a body that's hard to beat!

When your work DEMANDS strength, durability and VERSATILITY you can depend on, you can depend on Morgan!

Side Door



Side Door at curbside foremost location to swing towards rear with cam action lock hardware and door hold backs.





Front Bulkhead: 10GA. Sheet Steel with no window

**Morgan Corporation
Sets the Standard**



Stirrup Steps at Rear, Roadside and Curbside doors with anti-slip tape on Floor for Added Traction

STANDARD FEATURES

SUBFRAME

- High-Strength 3" I-beam Crossmembers on 16" centers
- External Rubrail and Side Pockets
- 7" Structural Channel Longrails

FLOORING

- Smooth 10GA. Steel Solid Welded to Crossmembers and to Side Frames

BULKHEAD

- Standard 54" Height
- Structurally Designed for 36" Cab Shield with Tapered Frontal Edge Design
- 4 D-rings (1 in each Corner of Cab Shield)
- 4" Outer Square Tubing Vertical Posts
- 2 Full Height Channel Inner Supports Welded to Long Rails for Rigidity

LIGHTING

- Standard LED Body Clearance / ID Lighting
- Molded Harness and Sealed Plug-Together Connections
- Minimized Lamp Housing Size
- Grommet Mount

MUDFLAPS

- Frame Mounted Design
- Anti-sail Braces

STIRRUP STEPS & GRAB HANDLES

- Curbside for Access to Side Door
- Roadside for Easier Tarp Access
- Rear for Access Through Right Barn Door



Manual Mesh Tarp with Pull Cord



Toolbox (various sizes available)



OPTIONS

Morgan LandscaperPro body is already the best built and equipped in the industry. But you can further enhance their performance with a range of options. Trust Morgan to exceed your highest expectations.

- Manual Mesh Tarp with Pull Cord
- Toolbox (various sizes available)
- 2" Receiver Tube Style Hitch/DOT Underride



2" Receiver Tube Style Hitch

BODY DIMENSIONS

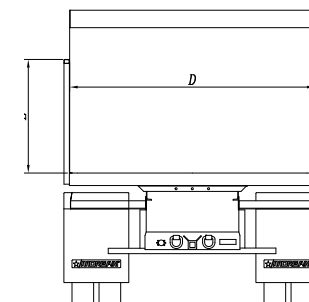
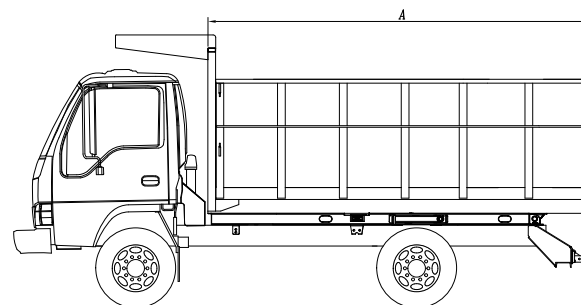
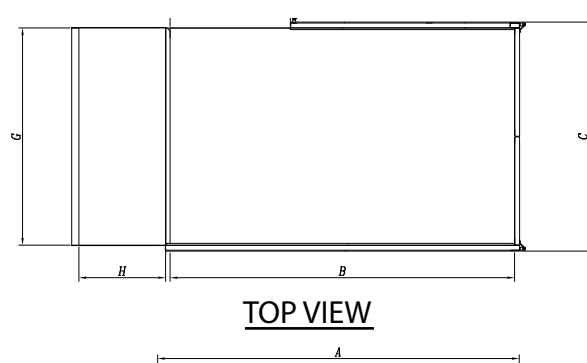
Model Length	12'	14'	16'
A. Exterior Length (front to rear)	12' 7"	14' 7"	16' 7"
B. Interior Length (front to rear, load space)	12' 1 $\frac{3}{4}$ "	14' 1 $\frac{3}{4}$ "	16' 1 $\frac{3}{4}$ "
C. Exterior Width (outside to outside)	7' 11 $\frac{3}{4}$ "	7' 11 $\frac{3}{4}$ "	7' 11 $\frac{3}{4}$ "
D. Interior Width (wall to wall, load space)	7' 6 $\frac{1}{2}$ "	7' 6 $\frac{1}{2}$ "	7' 6 $\frac{1}{2}$ "
E. Side Wall Height	42"	42"	42"
F. Side Door Opening	52"	52"	52"
G. Cab Shield Width	7' 5 $\frac{1}{2}$ "	7' 5 $\frac{1}{2}$ "	7' 5 $\frac{1}{2}$ "
H. Cab Shield Length	36"	36"	36"

BODY WEIGHTS

Model Length	12'	14'	16'
Base Body Weights*	2617 lbs.	2908 lbs.	3198 lbs.

FOR MORE INFORMATION
CONTACT YOUR
MORGAN REPRESENTATIVE
OR AUTHORIZED
MORGAN DISTRIBUTOR

800-666-7426



Products as shown may include optional equipment that is not part of the standard Morgan truck body configuration. Some product images may differ from current configurations and may not be available as depicted at the time of your order.

NOTE: All dimensions, weights, and measurements specified herein are subject to Morgan's manufacturing tolerances, may change without notice, and may vary depending on options selected.

Please Contact Morgan Representative for available options, complete up-to-date specifications and for measurements for your particular truck body and chassis specifications. © Morgan Corporation 09/2016

Demand the Best, Demand a



www.morgancorp.com