

DEJANA[®]
Truck and Utility Equipment

dyna/PRO

*Dump Bodies Designed and Tested for
Superior Strength & Performance*



BODY SPECIFICATIONS

(a) ASTM A572 GR50 Alloy Steel for Superior Strength and Corrosion Resistance

(b) Black Semi-gloss Powdercoat

- Engineered and tested to be one of the most durable finishes available.
 - Gravelometer chip resistance test
 - Direct and reverse impact test
 - Salt spray/ corrosion resistance test

(c) Cross-memberless Understructure with Enclosed 10-ga. Trapezoidal Longsills

- Fully welded to unify body structure and provide superior strength
- Sleek, design with no salt pockets

(d) Tubular Sidewall Construction

- 10 ga. inner & 12ga. outer wall interlaced with floor and underbody for superior strength & rigidity

(e) Scissor Lift & Sub-Frame

- Double acting heavy-duty hoist
- Redesigned subframe to eliminate welded joints
- Mounting brackets: sub-frame to chassis

(f) Rear Hinge

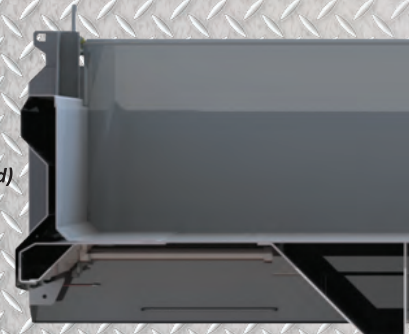
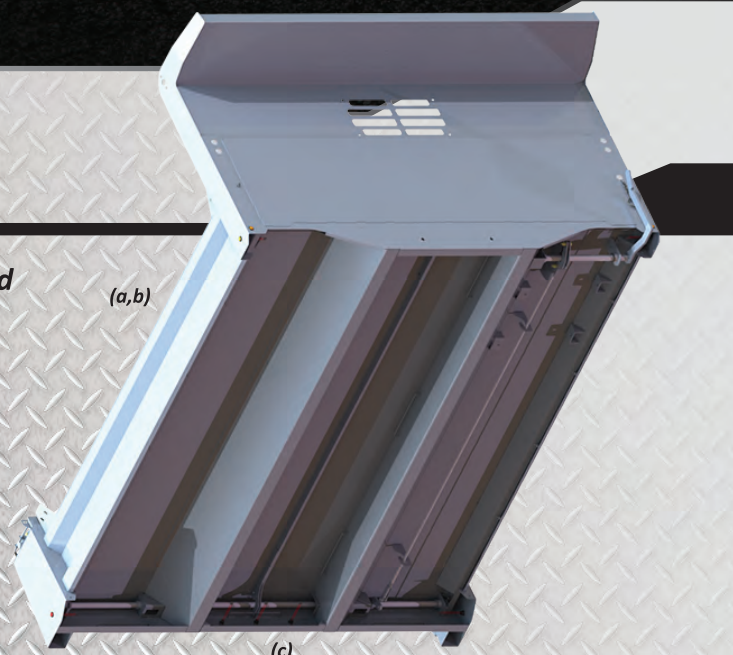
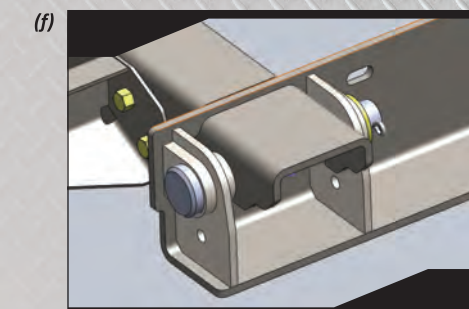
- .250" plates with .375" doublers on outside of clevis
- 1" OD zinc plated pin with cotter pin

(g) Slide Lock Upper Tailgate Latch

- 2-point latching system with ergonomic design to maximize leverage and improve serviceability
- Built-in tarp bar retention hooks

(h) New Ergonomic Hand-held Controller

- Single or dual functionality (dump & plow)



FIXED SIDE



Mild Steel Fixed Side Dump Body										
Part #	Length	Side Height	Side Walls	Floor Options	Headsheet	Double-wall Tailgate	Rear Opening Width	Max Capacity	Approx. Weight*	Hoist Capacity
DPD-MS-FX9	9'	12"	12-GA. Double Wall	10- or 7-GA. GR50	12-GA. GR50	10-GA. Inside/ 12-GA. Outside	85.7"	2.5 CU. Yds.	1,411 Lbs.	11.4 Tons
		16"						3.2 CU. Yds.	1,477 Lbs.	
DPD-MS-FX11	11'	12"						3.0 CU. Yds.	1,595 Lbs.	9.2 Tons
		16"						4.0 CU. Yds.	1,684 Lbs.	

Stainless Steel Fixed Side Dump Body										
Part #	Length	Side Height	Side Walls	Floor Options	Headsheet	Double-wall Tailgate	Rear Opening Width	Max Capacity	Approx. Weight*	Hoist Capacity
DPD-SS-FX9	9'	12"	12-GA. Double Wall	10-GA. 304 SS or 3/16" AR400	12-GA. GR50	10-GA. Inside/ 12-GA. Outside	85.7"	2.5 CU. Yds.	1,411 Lbs.	11.4 Tons
		16"						3.2 CU. Yds.	1,477 Lbs.	
DPD-SS-FX11	11'	12"						3.0 CU. Yds.	1,595 Lbs.	9.2 Tons
		16"						4.0 CU. Yds.	1,684 Lbs.	

FOLD-DOWN



Mild Steel Fold-down Side Dump Body										
Part #	Length	Side Height	Side Walls	Floor Options	Headsheet	Double-wall Tailgate	Rear Opening Width	Max Capacity	Approx. Weight*	Hoist Capacity
DPD-MS-FD9	9'	12"	12-GA. Single Wall	10- or 7-GA. GR50	12-GA. GR50	10-GA. Inside/ 12-GA. Outside	85.7"	2.5 CU. Yds.	1,386 Lbs.	11.4 Tons
		16"						3.2 CU. Yds.	1,429 Lbs.	
DPD-MS-FD11	11'	12"						3.0 CU. Yds.	1,539 Lbs.	9.2 Tons
		16"						4.0 CU. Yds.	1,602 Lbs.	

Stainless Steel Fold-down Side Dump Body										
Part #	Length	Side Height	Side Walls	Floor Options	Headsheet	Double-wall Tailgate	Rear Opening Width	Max Capacity	Approx. Weight*	Hoist Capacity
DPD-SS-FD9	9'	12"	12-GA. Single Wall	10-GA. 304 SS or 3/16" AR400	12-GA. GR50	10-GA. Inside/ 12-GA. Outside	85.7"	2.5 CU. Yds.	1,386 Lbs.	11.4 Tons
		16"						3.2 CU. Yds.	1,429 Lbs.	
DPD-SS-FD11	11'	12"						3.0 CU. Yds.	1,539 Lbs.	9.2 Tons
		16"						4.0 CU. Yds.	1,602 Lbs.	

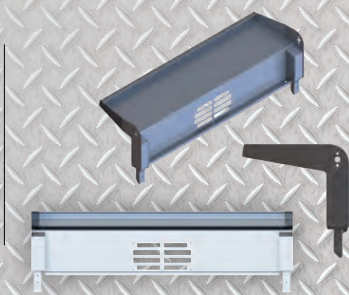
MODULAR CAB SHIELD OPTIONS

Easy Replacement and Configurable with Strobe Options



Standard Height Quarter Cab Shield

14.9" Overhang/ 17" Clearance
21" x 9.6" window area
139 lbs.



Standard Height Half Cab Shield

21.8" Overhang/ 18" Clearance
21" x 9.6" window area
159 lbs.



Mid-Height Quarter Cab Shield

14.3" Overhang/ 20.6-23" Clearance
21" x 9.6" window area
161 lbs.



Tall-Height Quarter Cab Shield

14.3" Overhang/ 24.6-27" Clearance
21" x 9.6" window area
176 lbs.

OPTIONS & ACCESSORIES

- Pull-out ladder (powder coated or stainless steel)
- Asphalt apron
- Coal chute tailgate
- Toolboxes
- Cab shield lights
- 6" side board pockets
- Dejana mudflaps
- Tarp
- Pintle plate w/ D-rings
- 7-Pin trailer plug end
- Back up alarm
- Body up switch/ light
- Brake controller
- Reflective tape and more...

