



## **TRADE PACKAGES**

Pre-engineered packages for a broad range of trades.



**CHOICE**

A range of steel and aluminum packages are available for each vehicle.



**TRADE SPECIFIC**

Packages are created with the specific trades in mind. Optimized for maximum productivity.



**PERFECT FIT**

Engineered to optimize space. Layout designed to ensure that all tools are well within reach.

# TRADE PACKAGES

**BOX TRUCK, STEP VAN & TRAILER** . . . . . P. 54

**CHEVROLET**

EXPRESS . . . . . P. 61

**FORD**

TRANSIT . . . . . P. 68

TRANSIT CONNECT . . . . . P. 82

**GMC**

SAVANA . . . . . P. 89

**MERCEDES-BENZ**

METRIS . . . . . P. 96

SPRINTER . . . . . P. 103

**NISSAN**

NV . . . . . P. 114

NV200 . . . . . P. 121

**RAM**

PROMASTER . . . . . P. 128

PROMASTER CITY . . . . . P. 135

Get more out of your work van: Ranger Design packages are designed specifically with your trade in mind. Our aim is to ensure that your most frequently used tools and equipment are well within reach.

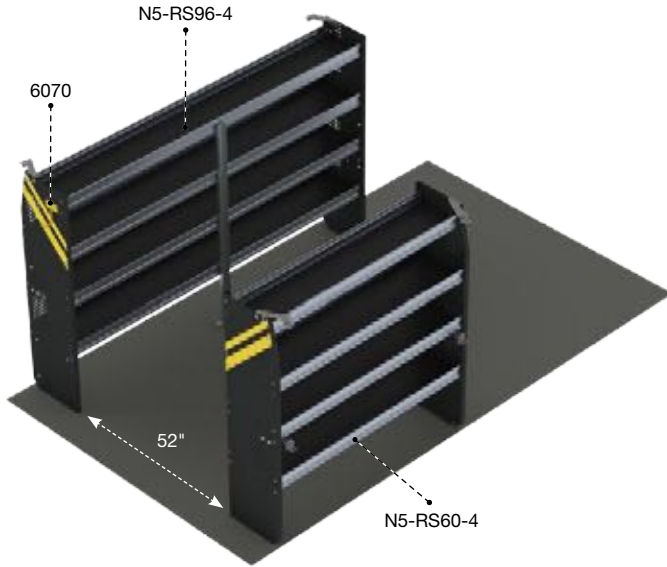
Do you see a way that we can improve our packages? We appreciate your feedback! Contact our customer service team at **1-800-565-5321**.



## BOX TRUCK STEP VAN & TRAILER



PACKAGES

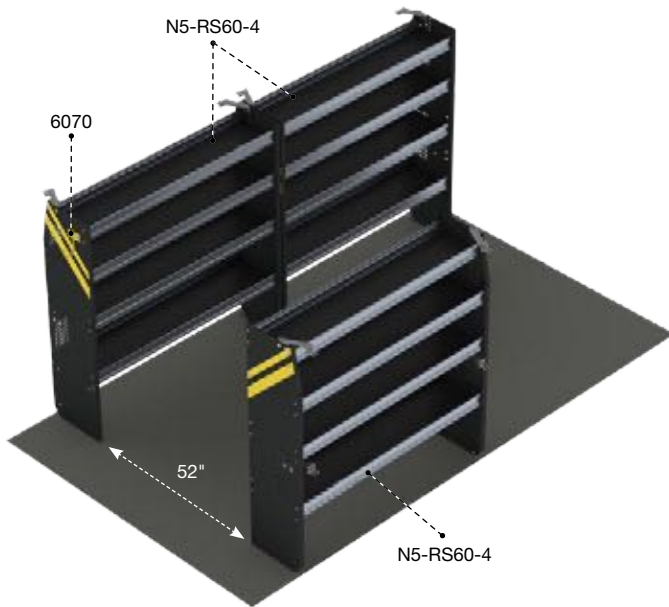


### BTS-10 CONTRACTOR

Steel	Short 10+	High Roof
211 lbs	2.8 hrs	Yes

Qty	Part	Description
1	6070	6" Hook, 3" opening, painted
1	N5-RS60-4	Steel shelving unit for high roof van, 14" D x 60" W x 62" H
1	N5-RS96-4	Steel shelving unit for high roof van, 14" D x 96" W x 62" H

Aisle space calculated for this package is based on an 84" wide box.



### BTL-10 CONTRACTOR

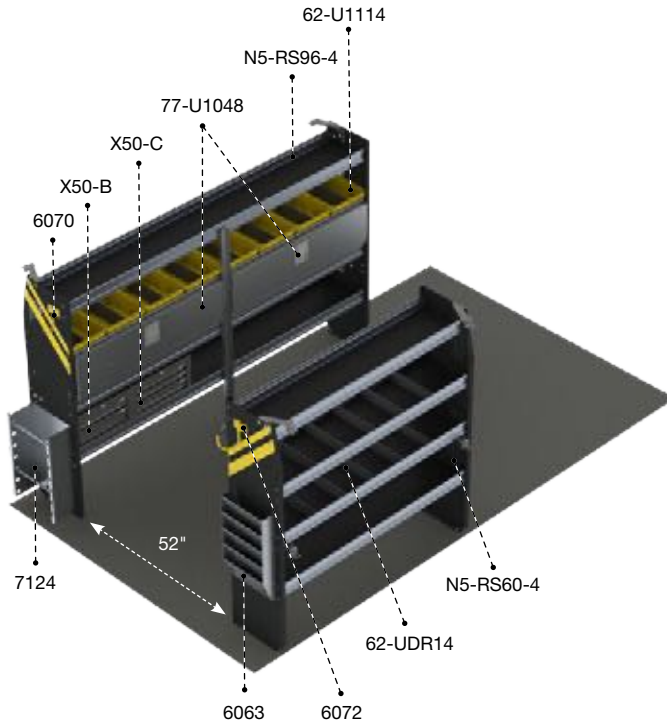
Steel	Long 14+	High Roof
266 lbs	3.8 hrs	Yes

Qty	Part	Description
1	6070	6" Hook, 3" opening, painted
3	N5-RS60-4	Steel shelving unit for high roof van, 14" D x 60" W x 62" H

Aisle space calculated for this package is based on an 84" wide box.



**BOX TRUCK STEP VAN & TRAILER**



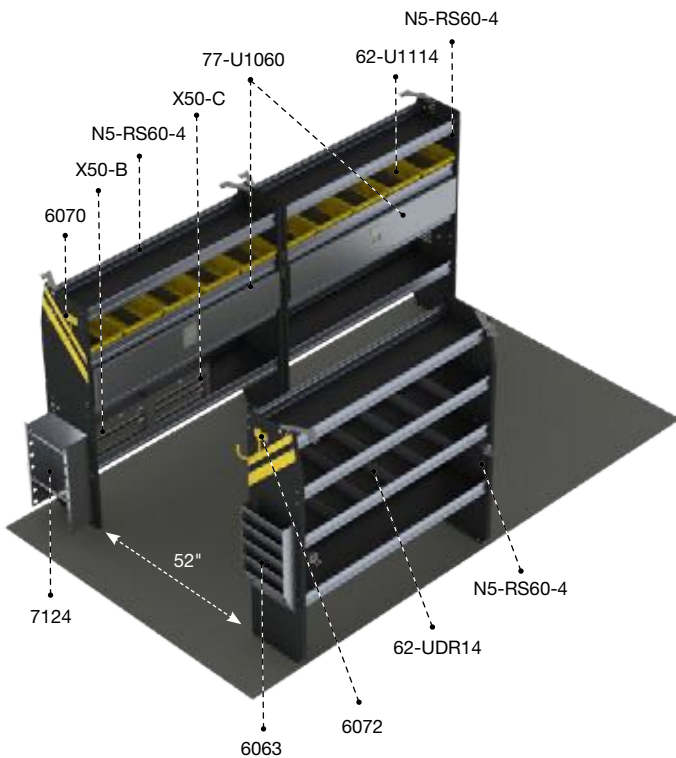
**BTS-11**  
ELECTRICAL

	Steel		Short 10+		High Roof
	324 lbs		5.3 hrs		Yes

Qty	Part	Description
1	6063	Paper holder, extra deep, 5 slots
1	6070	6" Hook, 3" opening, painted
1	6072	8" Swivel hook, 4" opening, painted
8	62-U1114	14" Deep plastic bin
2	62-UDR14	Set of 5 dividers for a 14" shelf
1	7124	Reel holder with two 5/8" diameter rods
2	77-U1048	Adjustable shelving door unit - 45" W - for 48" & 96" shelves
1	N5-RS60-4	Steel shelving unit for high roof van, 14" D x 60" W x 62" H
1	N5-RS96-4	Steel shelving unit for high roof van, 14" D x 96" W x 62" H
1	X50-B	Compact 2-drawer unit
1	X50-C	Compact 3-drawer unit

Aisle space calculated for this package is based on an 84" wide box.

PACKAGES



**BTL-11**  
ELECTRICAL

	Steel		Long 14+		High Roof
	386 lbs		6.3 hrs		Yes

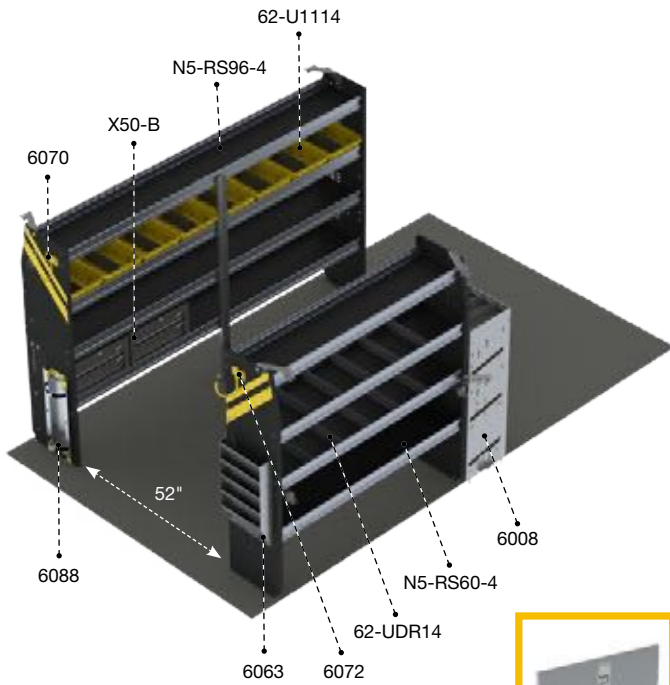
Qty	Part	Description
1	6063	Paper holder, extra deep, 5 slots
1	6070	6" Hook, 3" opening, painted
1	6072	8" Swivel hook, 4" opening, painted
10	62-U1114	14" Deep plastic bin
2	62-UDR14	Set of 5 dividers for a 14" shelf
1	7124	Reel holder with two 5/8" diameter rods
2	77-U1060	Adjustable shelving door unit - 57" W - for 60" shelves
3	N5-RS60-4	Steel shelving unit for high roof van, 14" D x 60" W x 62" H
1	X50-B	Compact 2-drawer unit
1	X50-C	Compact 3-drawer unit

Aisle space calculated for this package is based on an 84" wide box.



## BOX TRUCK STEP VAN & TRAILER

PACKAGES



77-U1060

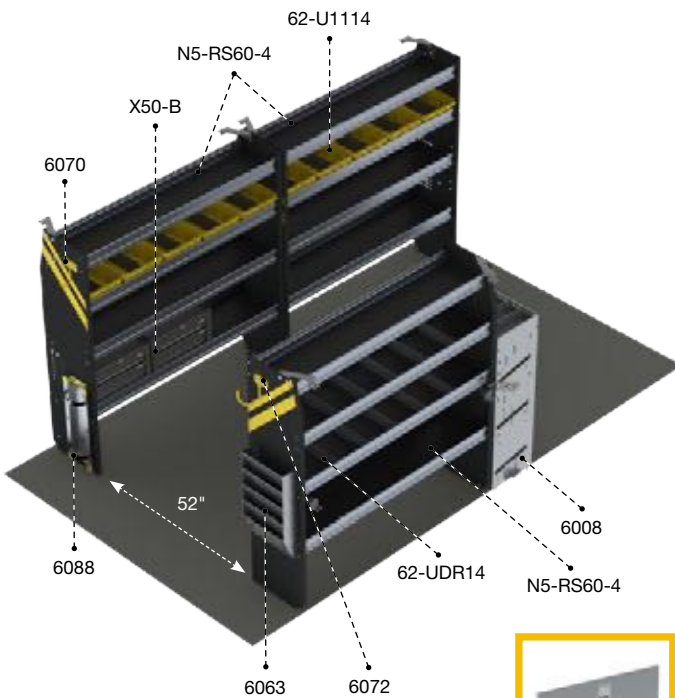
### BTS-12 HVAC

Steel	Short 10+	High Roof
334 lbs	5.1 hrs	Yes

Qty	Part	Description
1	6008	3 Tier refrigerant rack for large bottles
1	6063	Paper holder, extra deep, 5 slots
1	6070	6" Hook, 3" opening, painted
1	6072	8" Swivel hook, 4" opening, painted
1	6088	Large aluminum bottle holder, with two black nylon straps
8	62-U1114	14" Deep plastic bin
2	62-UDR14	Set of 5 dividers for a 14" shelf
1	77-U1060	Adjustable shelving door unit - 57" W - for 60" shelves
1	N5-RS60-4	Steel shelving unit for high roof van, 14" D x 60" W x 62" H
1	N5-RS96-4	Steel shelving unit for high roof van, 14" D x 96" W x 62" H
2	X50-B	Compact 2-drawer unit

Aisle space calculated for this package is based on an 84" wide box.

Packages BTS-12 and BTL-12 are designed for boxes with side access. For boxes with no side access, it is recommended to reposition the 6008 bottle rack.



77-U1060

### BTL-12 HVAC

Steel	Long 14+	High Roof
393 lbs	6.1 hrs	Yes

Qty	Part	Description
1	6008	3 Tier refrigerant rack for large bottles
1	6063	Paper holder, extra deep, 5 slots
1	6070	6" Hook, 3" opening, painted
1	6072	8" Swivel hook, 4" opening, painted
1	6088	Large aluminum bottle holder, with two black nylon straps
10	62-U1114	14" Deep plastic bin
2	62-UDR14	Set of 5 dividers for a 14" shelf
1	77-U1060	Adjustable shelving door unit - 57" W - for 60" shelves
3	N5-RS60-4	Steel shelving unit for high roof van, 14" D x 60" W x 62" H
2	X50-B	Compact 2-drawer unit

Aisle space calculated for this package is based on an 84" wide box.



# HVAC **BTL-12**

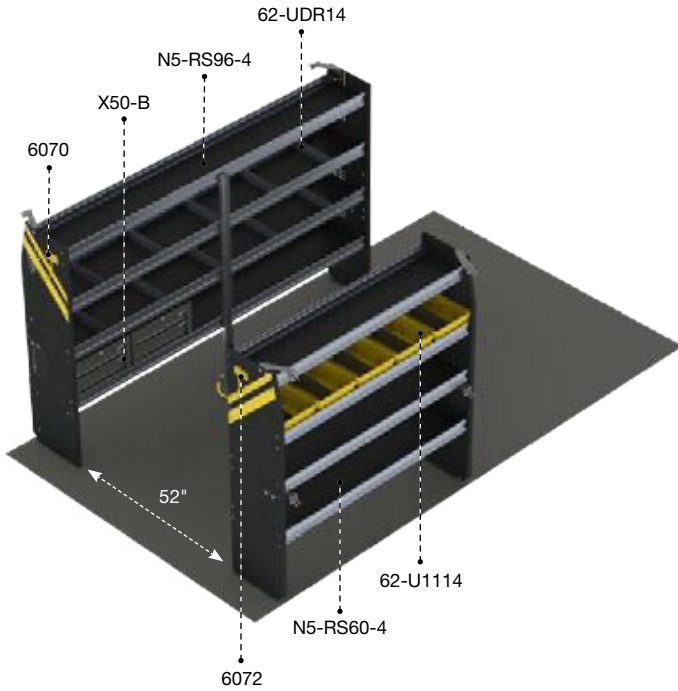
**BOX TRUCK** STEP VAN & TRAILER





## BOX TRUCK STEP VAN & TRAILER

PACKAGES

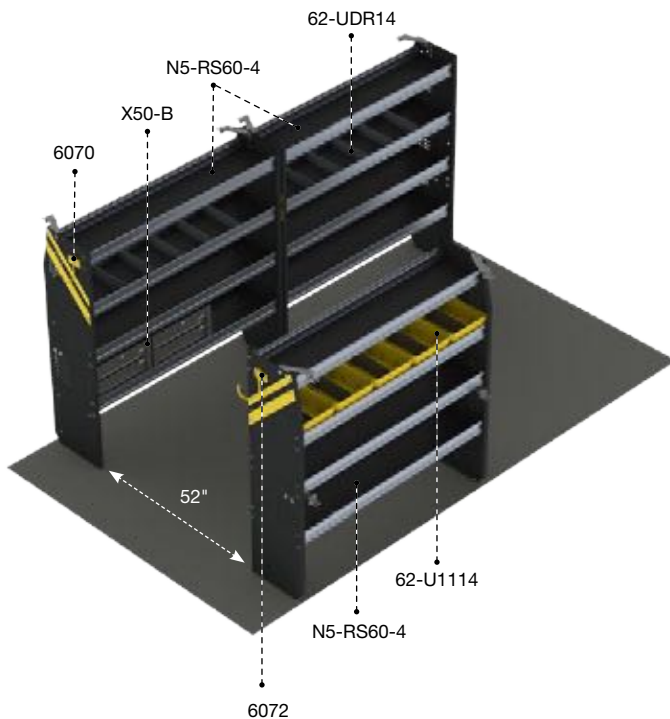


### BTS-16 SERVICE

Steel	Short 10+	High Roof
281 lbs	3.6 hrs	Yes

Qty	Part	Description
1	6070	6" Hook, 3" opening, painted
1	6072	8" Swivel hook, 4" opening, painted
5	62-U1114	14" Deep plastic bin
2	62-UDR14	Set of 5 dividers for a 14" shelf
1	N5-RS60-4	Steel shelving unit for high roof van, 14" D x 60" W x 62" H
1	N5-RS96-4	Steel shelving unit for high roof van, 14" D x 96" W x 62" H
2	X50-B	Compact 2-drawer unit

Aisle space calculated for this package is based on an 84" wide box.



### BTL-16 SERVICE

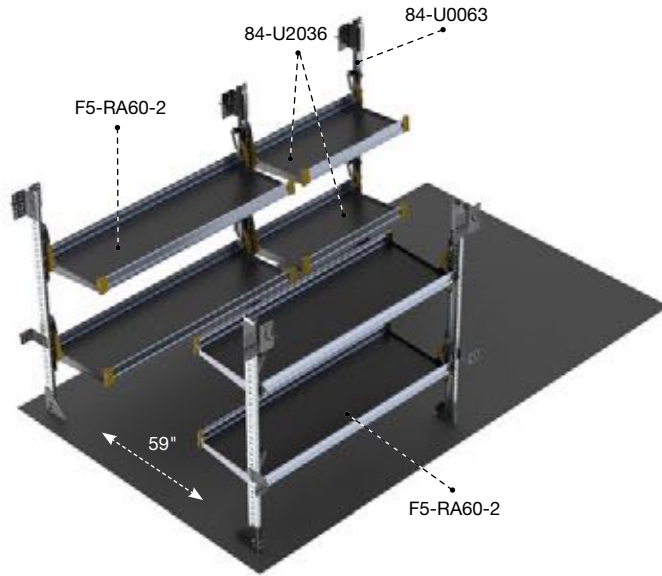
Steel	Long 14+	High Roof
336 lbs	4.6 hrs	Yes

Qty	Part	Description
1	6070	6" Hook, 3" opening, painted
1	6072	8" Swivel hook, 4" opening, painted
5	62-U1114	14" Deep plastic bin
2	62-UDR14	Set of 5 dividers for a 14" shelf
3	N5-RS60-4	Steel shelving unit for high roof van, 14" D x 60" W x 62" H
2	X50-B	Compact 2-drawer unit

Aisle space calculated for this package is based on an 84" wide box.



**BOX TRUCK STEP VAN & TRAILER**



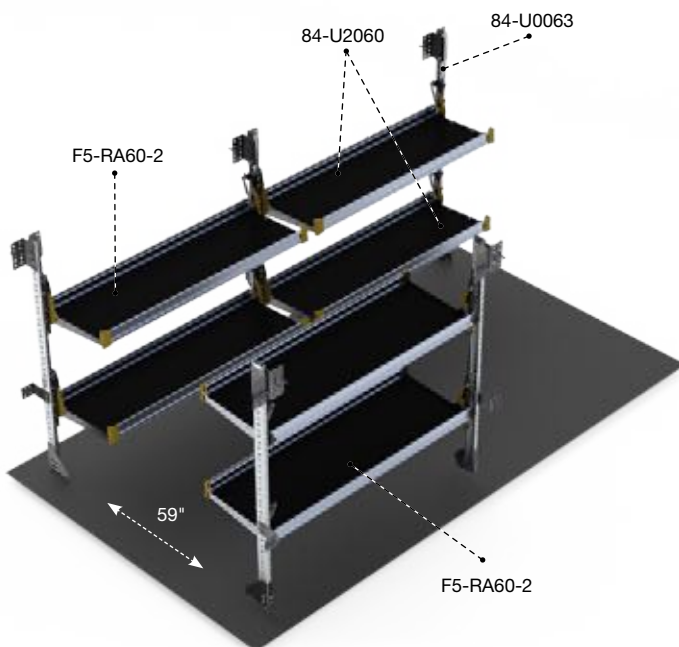
**BTS-19**  
DELIVERY

Aluminum	Short 10+	High Roof
212 lbs	4.3 hrs	Yes

Qty	Part	Description
1	84-U0063	Post assembly for fold-away shelving 63"
2	84-U2036	Fold-away shelf tray, 20" D x 36" W
2	F5-RA60-2	Fold-away unit, 2 levels, 25" D x 60" W x 63" H

Aisle space calculated for this package is based on an 84" wide box.

PACKAGES



**BTL-19**  
DELIVERY

Aluminum	Long 14+	High Roof
226 lbs	4.3 hrs	Yes

Qty	Part	Description
1	84-U0063	Post assembly for fold-away shelving 63"
2	84-U2060	Fold-away shelf tray, 60" W x 20" D
2	F5-RA60-2	Fold-away unit, 2 levels, 25" D x 60" W x 63" H

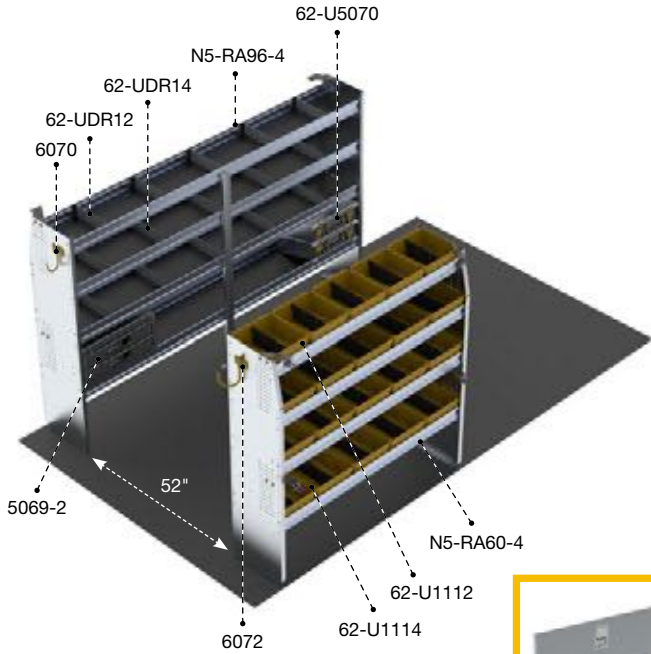
Aisle space calculated for this package is based on an 84" wide box.



## BOX TRUCK STEP VAN & TRAILER



PACKAGES



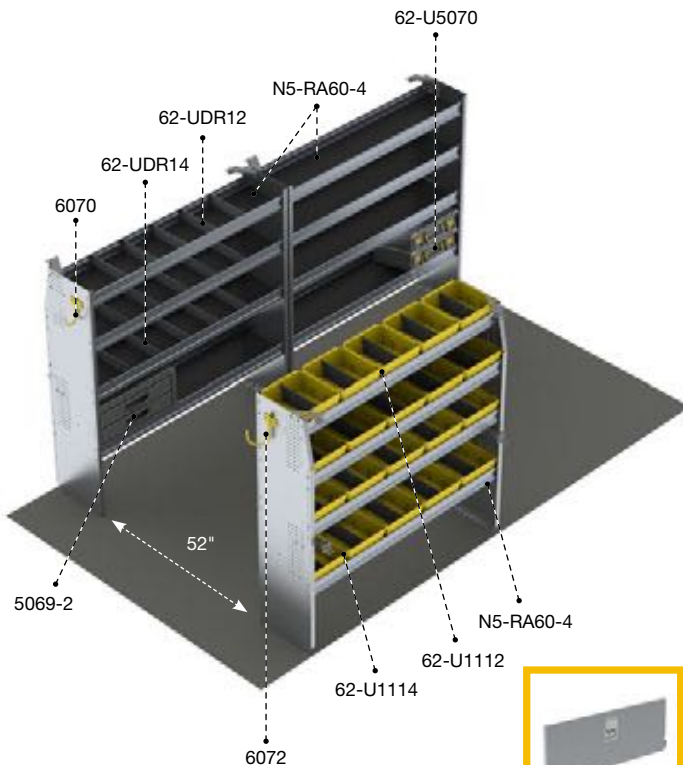
77-U1060

### BTS-27 ALUMINUM

Aluminum	Short 10+	High Roof
293 lbs	4.6 hrs	Yes

Qty	Part	Description
1	5069-2	2 Drawer cabinet
2	62-U5070	Partskeeper carry case with holder
1	6070	6" Hook, 3" opening, painted
1	6072	8" Swivel hook, 4" opening, painted
5	62-U1112	12" Deep plastic bin
15	62-U1114	14" Deep plastic bin
1	62-UDR12	Set of 5 dividers for a 12" shelf
2	62-UDR14	Set of 5 dividers for a 14" shelf
1	77-U1060	Adjustable shelving door unit - 57" W - for 60" shelves
1	N5-RA60-4	Aluminum shelving unit high roof van, 60", 14"D x 60" W x 62"H
1	N5-RA96-4	Aluminum shelving unit high roof van, 96", 14"D x 96" W x 62"H

Aisle space calculated for this package is based on an 84" wide box.



77-U1060

### BTL-27 ALUMINUM

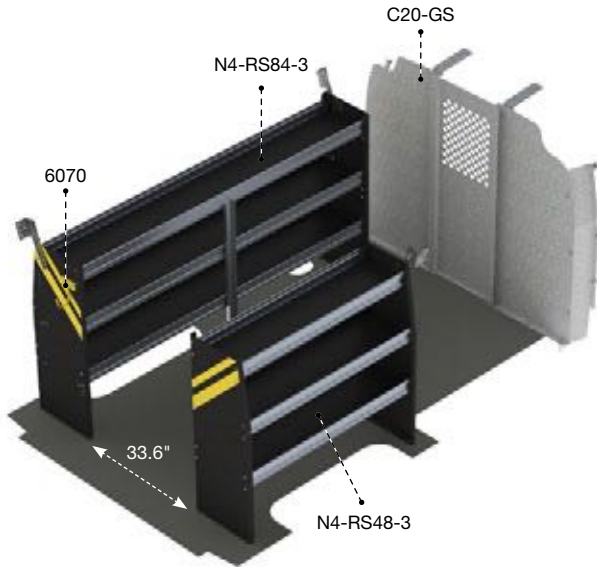
Aluminum	Long 14+	High Roof
400 lbs	6.8 hrs	Yes

Qty	Part	Description
1	5069-2	2 Drawer cabinet
2	62-U5070	Partskeeper carry case with holder
1	6070	6" Hook, 3" opening, painted
1	6072	8" Swivel hook, 4" opening, painted
5	62-U1112	12" Deep plastic bin
15	62-U1114	14" Deep plastic bin
1	62-UDR12	Set of 5 dividers for a 12" shelf
2	62-UDR14	Set of 5 dividers for a 14" shelf
1	77-U1060	Adjustable shelving door unit - 57" W - for 60" shelves
3	N5-RA60-4	Aluminum shelving unit high roof van, 60", 14"D x 60" W x 62"H

Aisle space calculated for this package is based on an 84" wide box.



CHEVROLET EXPRESS

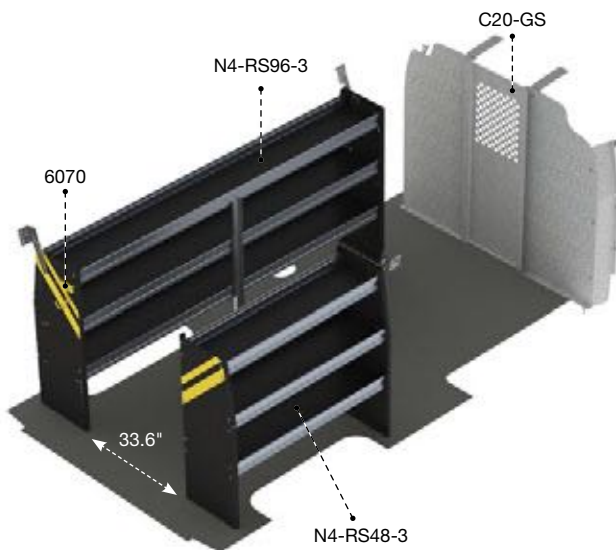


### GSR-10 CONTRACTOR

Steel	135"	Standard
203 lbs	3.8 hrs	Yes

Qty	Part	Description
1	6070	6" Hook, 3" opening, painted
1	C20-GS	Straight steel partition with perforated window, no access
1	N4-RS48-3	Steel shelving unit for low roof van 14" D x 48" W x 44.5" H
1	N4-RS84-3	Steel shelving unit for low roof van 14" D x 84" W x 44.5" H

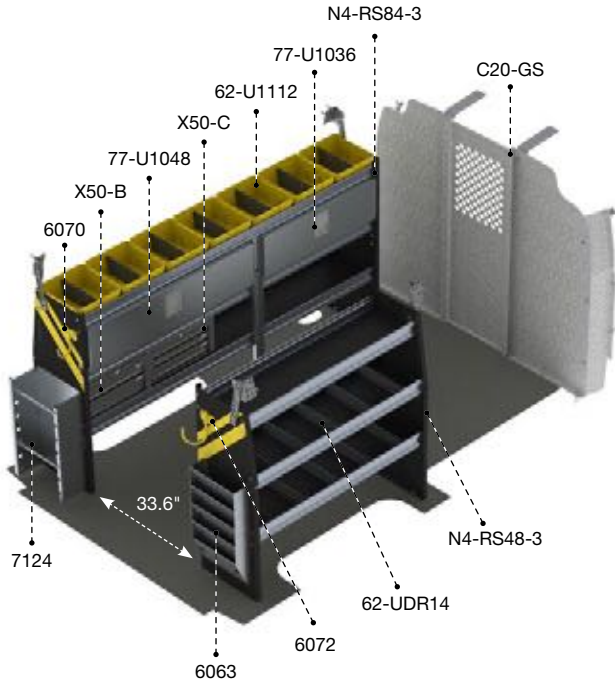
PACKAGES



### GSL-10 CONTRACTOR

Steel	155"	Standard
211 lbs	3.8 hrs	Yes

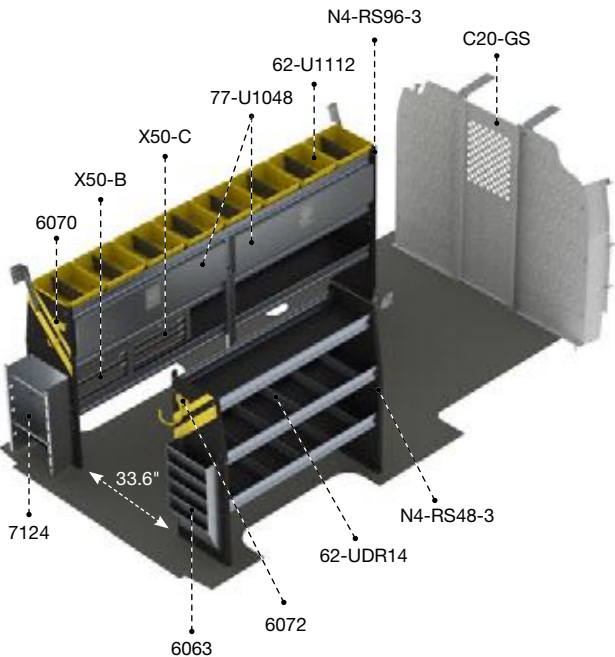
Qty	Part	Description
1	6070	6" Hook, 3" opening, painted
1	C20-GS	Straight steel partition with perforated window, no access
1	N4-RS48-3	Steel shelving unit for low roof van 14" D x 48" W x 44.5" H
1	N4-RS96-3	Steel shelving unit for low roof van 14" D x 96" W x 44.5" H



### GSR-11 ELECTRICAL

	Steel		135"		Standard
	311 lbs		6.3 hrs		Yes

Qty	Part	Description
1	6063	Paper holder, extra deep, 5 slots
1	6070	6" Hook, 3" opening, painted
1	6072	8" Swivel hook, 4" opening, painted
1	7124	Reel holder with two 5/8" diameter rods
7	62-U1112	12" deep plastic bin
2	62-UDR14	Set of 5 dividers for a 14" Shelf
1	77-U1036	Adjustable shelving door unit - 33" W - for 36" & 72" shelves
1	77-U1048	Adjustable shelving door unit - 45" W - for 48" & 96" shelves
1	C20-GS	Straight steel partition with perforated window, no access
1	N4-RS48-3	Steel shelving unit for low roof van 14" D x 48" W x 44.5" H
1	N4-RS84-3	Steel shelving unit for low roof van 14" D x 84" W x 44.5" H
1	X50-B	Compact 2-drawer unit
1	X50-C	Compact 3-drawer unit



### GSL-11 ELECTRICAL

	Steel		155"		Standard
	322 lbs		6.3 hrs		Yes

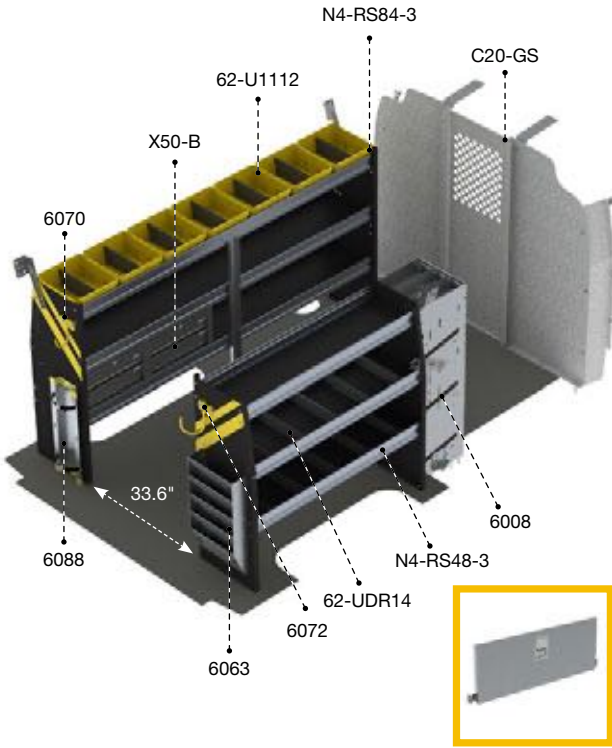
Qty	Part	Description
1	6063	Paper holder, extra deep, 5 slots
1	6070	6" Hook, 3" opening, painted
1	6072	8" Swivel hook, 4" opening, painted
1	7124	Reel holder with two 5/8" diameter rods
8	62-U1112	12" deep plastic bin
2	62-UDR14	Set of 5 dividers for a 14" Shelf
2	77-U1048	Adjustable shelving door unit - 45" W - for 48" & 96" shelves
1	C20-GS	Straight steel partition with perforated window, no access
1	N4-RS48-3	Steel shelving unit for low roof van 14" D x 48" W x 44.5" H
1	N4-RS96-3	Steel shelving unit for low roof van 14" D x 96" W x 44.5" H
1	X50-B	Compact 2-drawer unit
1	X50-C	Compact 3-drawer unit



# ELECTRICAL **GSR-11**

CHEVROLET **EXPRESS**



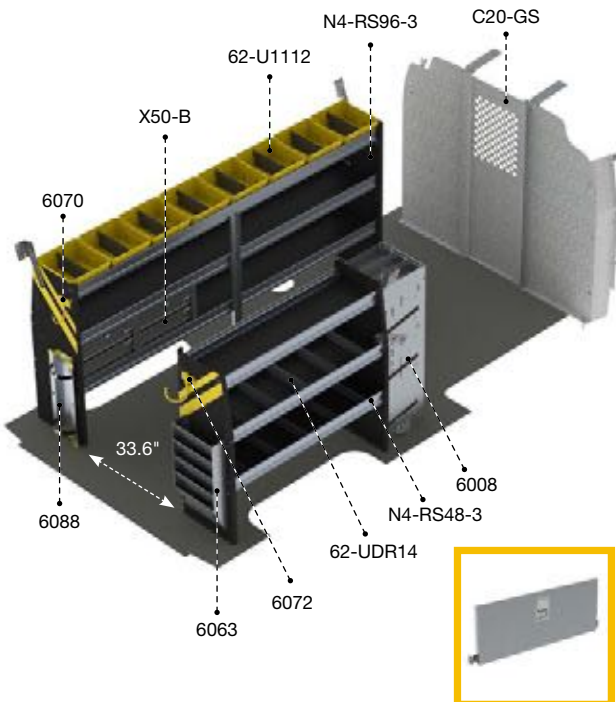


77-U1048

### GSR-12 HVAC

	Steel		135"		Standard
	320 lbs		6.1 hrs		Yes

Qty	Part	Description
1	<b>6008</b>	3 Tier refrigerant rack for large bottles
1	<b>6063</b>	Paper holder, extra deep, 5 slots
1	<b>6070</b>	6" Hook, 3" opening, painted
1	<b>6072</b>	8" Swivel hook, 4" opening, painted
1	<b>6088</b>	Large aluminum bottle holder, with two black nylon straps
7	<b>62-U1112</b>	12" deep plastic bin
2	<b>62-UDR14</b>	Set of 5 dividers for a 14" Shelf
1	<b>77-U1048</b>	Adjustable shelving door unit - 45" W - for 48" & 96" shelves
1	<b>C20-GS</b>	Straight steel partition with perforated window, no access
1	<b>N4-RS48-3</b>	Steel shelving unit for low roof van 14" D x 48" W x 44.5" H
1	<b>N4-RS84-3</b>	Steel shelving unit for low roof van 14" D x 84" W x 44.5" H
2	<b>X50-B</b>	Compact 2-drawer unit



77-U1048

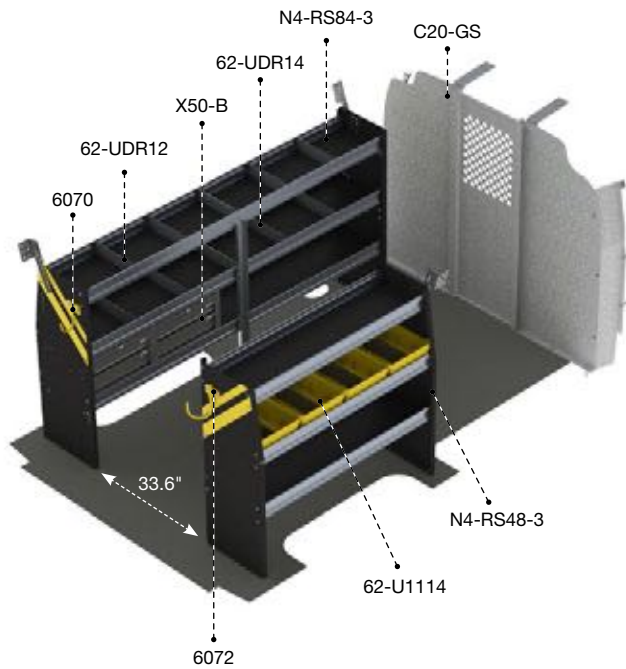
### GSL-12 HVAC

	Steel		155"		Standard
	330 lbs		6.1 hrs		Yes

Qty	Part	Description
1	<b>6008</b>	3 Tier refrigerant rack for large bottles
1	<b>6063</b>	Paper holder, extra deep, 5 slots
1	<b>6070</b>	6" Hook, 3" opening, painted
1	<b>6072</b>	8" Swivel hook, 4" opening, painted
1	<b>6088</b>	Large aluminum bottle holder, with two black nylon straps
8	<b>62-U1112</b>	12" deep plastic bin
2	<b>62-UDR14</b>	Set of 5 dividers for a 14" Shelf
1	<b>77-U1048</b>	Adjustable shelving door unit - 45" W - for 48" & 96" shelves
1	<b>C20-GS</b>	Straight steel partition with perforated window, no access
1	<b>N4-RS48-3</b>	Steel shelving unit for low roof van 14" D x 48" W x 44.5" H
1	<b>N4-RS96-3</b>	Steel shelving unit for low roof van 14" D x 96" W x 44.5" H
2	<b>X50-B</b>	Compact 2-drawer unit



CHEVROLET EXPRESS

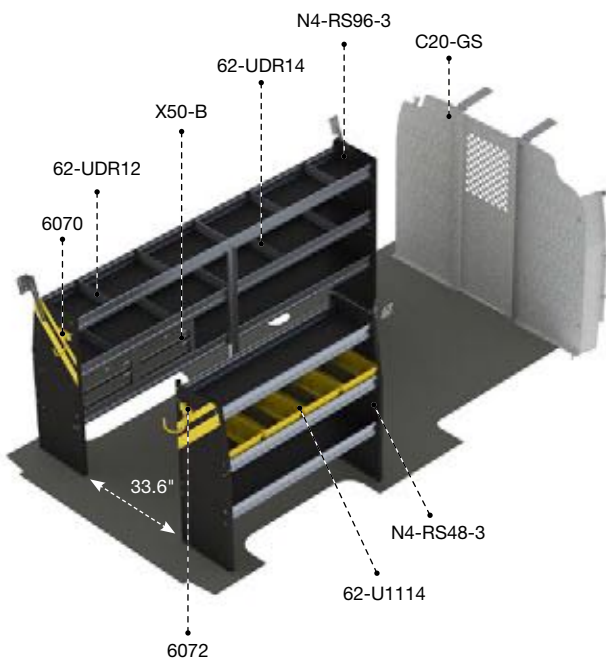


**GSR-16**  
SERVICE

Steel	135"	Standard
270 lbs	4.6 hrs	Yes

Qty	Part	Description
1	6070	6" Hook, 3" opening, painted
1	6072	8" Swivel hook, 4" opening, painted
4	62-U1114	14" deep plastic bin
1	62-UDR12	Set of 5 dividers for a 12" Shelf
1	62-UDR14	Set of 5 dividers for a 14" Shelf
1	C20-GS	Straight steel partition with perforated window, no access
1	N4-RS48-3	Steel shelving unit for low roof van 14" D x 48" W x 44.5" H
1	N4-RS84-3	Steel shelving unit for low roof van 14" D x 84" W x 44.5" H
2	X50-B	Compact 2-drawer unit

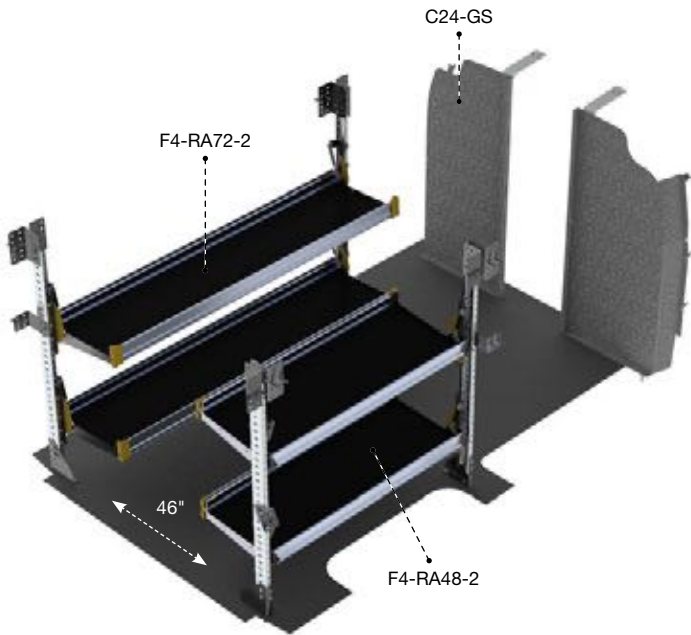
PACKAGES



**GSL-16**  
SERVICE

Steel	155"	Standard
278 lbs	4.6 hrs	Yes

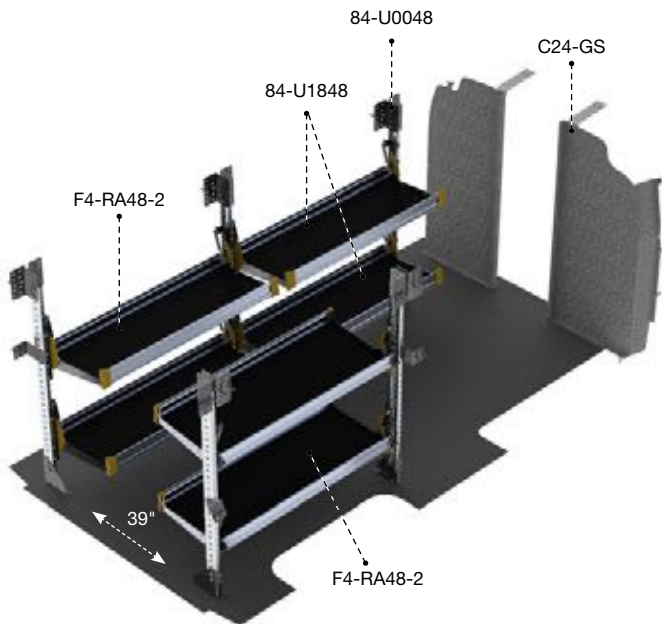
Qty	Part	Description
1	6070	6" Hook, 3" opening, painted
1	6072	8" Swivel hook, 4" opening, painted
4	62-U1114	14" deep plastic bin
1	62-UDR12	Set of 5 dividers for a 12" Shelf
1	62-UDR14	Set of 5 dividers for a 14" Shelf
1	C20-GS	Straight steel partition with perforated window, no access
1	N4-RS48-3	Steel shelving unit for low roof van 14" D x 48" W x 44.5" H
1	N4-RS96-3	Steel shelving unit for low roof van 14" D x 96" W x 44.5" H
2	X50-B	Compact 2-drawer unit



### GSR-19 DELIVERY

Aluminum	135"	Standard
195 lbs	4.2 hrs	Yes

Qty	Part	Description
1	<b>C24-GS</b>	Straight walk through steel partition
1	<b>F4-RA72-2</b>	Fold-away unit, 2 levels, 22" D x 72" W x 47" H
1	<b>F4-RA48-2</b>	Fold-away unit, 2 levels, 22" D x 48" W x 47" H



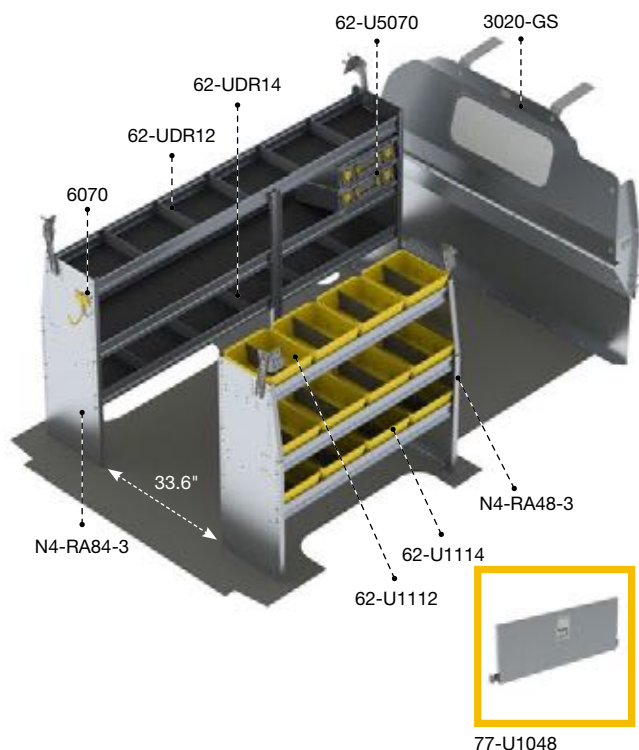
### GSL-19 DELIVERY

Aluminum	155"	Standard
239 lbs	5.3 hrs	Yes

Qty	Part	Description
1	<b>84-U0048</b>	Post assembly for fold-away shelving, 48"
2	<b>84-U1848</b>	Fold-away shelf tray, 18" D x 48" W
1	<b>C24-GS</b>	Straight walk through steel partition
2	<b>F4-RA48-2</b>	Fold-away unit, 2 levels, 22" D x 48" W x 47" H



CHEVROLET EXPRESS

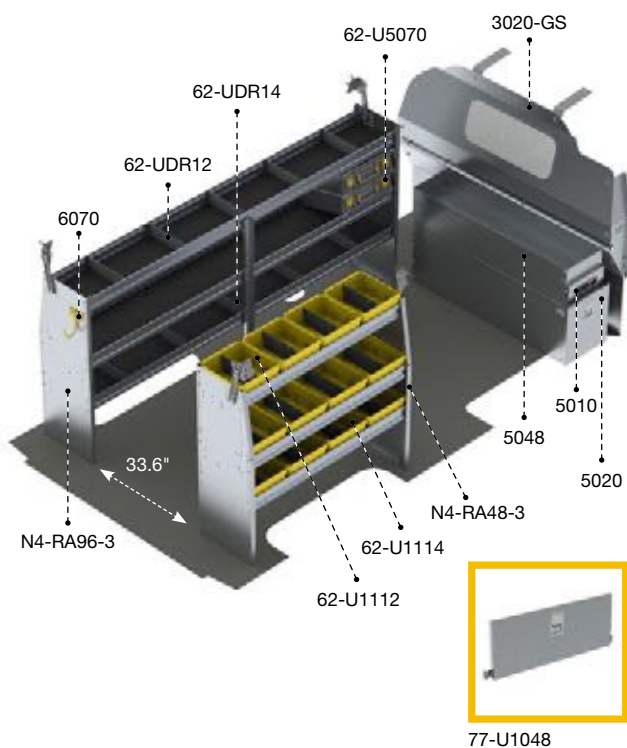


### GSR-27 ALUMINUM

Aluminum	135"	Standard
224 lbs	4.4 hrs	Yes

Qty	Part	Description
1	<b>3020-GS</b>	Countoured safety partition with glass window
2	<b>62-U5070</b>	Partskeeper carry case with holder
1	<b>6070</b>	6" Hook, 3" opening, painted
4	<b>62-U1112</b>	12" deep plastic bin
8	<b>62-U1114</b>	14" deep plastic bin
1	<b>62-UDR12</b>	Set of 5 dividers for a 12" Shelf
1	<b>62-UDR14</b>	Set of 5 dividers for a 14" Shelf
1	<b>77-U1048</b>	Adjustable shelving door unit - 45" W - for 48" & 96" shelves
1	<b>N4-RA48-3</b>	Aluminum shelving unit for low roof van 14" D x 48" W x 44.5" H
1	<b>N4-RA84-3</b>	Aluminum shelving unit for low roof van 14" D x 84" W x 44.5" H

PACKAGES



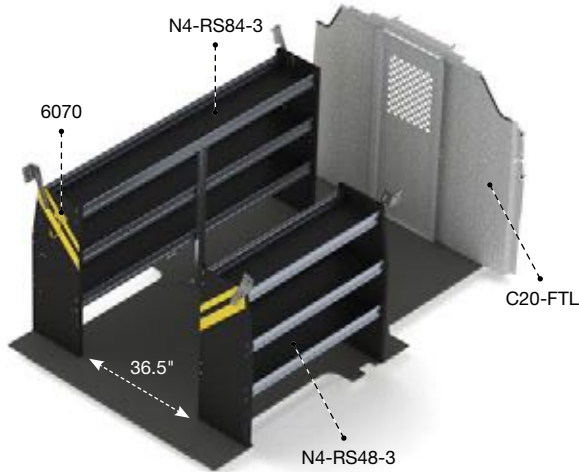
### GSL-27 ALUMINUM

Aluminum	155"	Standard
339 lbs	6.1 hrs	Yes

Qty	Part	Description
1	<b>3020-GS</b>	Countoured safety partition with glass window
1	<b>5010</b>	Partslider drawer 48" D
1	<b>5020</b>	Tool Drawer 48" D x 14" W x 16" H
1	<b>5048</b>	Top edge
2	<b>62-U5070</b>	Partskeeper carry case with holder
1	<b>6070</b>	6" Hook, 3" opening, painted
4	<b>62-U1112</b>	12" deep plastic bin
8	<b>62-U1114</b>	14" deep plastic bin
1	<b>62-UDR12</b>	Set of 5 dividers for a 12" Shelf
1	<b>62-UDR14</b>	Set of 5 dividers for a 14" Shelf
1	<b>77-U1048</b>	Adjustable shelving door unit - 45" W - for 48" & 96" shelves
1	<b>N4-RA48-3</b>	Aluminum shelving unit for low roof van 14" D x 48" W x 44.5" H
1	<b>N4-RA96-3</b>	Aluminum shelving unit for low roof van 14" D x 96" W x 44.5" H



## FORD TRANSIT



### FTL-10 CONTRACTOR

Steel	130", 148"	Low Roof
206 lbs	3.3 hrs	Yes

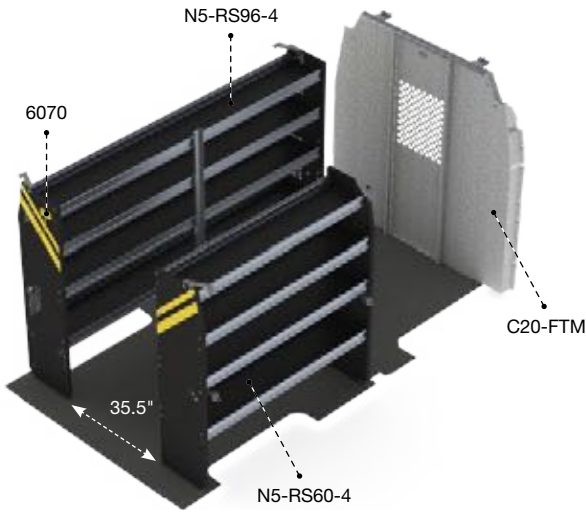
Qty	Part #	Description
1	6070	6" Hook, 3" opening, painted
1	C20-FTL	Straight steel partition with perforated window, no access
1	N4-RS48-3	Steel shelving unit for low roof van, 14" D x 48" W x 44.5" H
1	N4-RS84-3	Steel shelving unit for low roof van, 14" D x 84" W x 44.5" H



### FTR-10 CONTRACTOR

Steel	130"	Medium Roof
268 lbs	3.8 hrs	Yes

Qty	Part #	Description
1	6070	6" Hook, 3" opening, painted
1	C20-FTM	Straight steel partition with perforated window, no access
1	N5-RS48-4	Steel shelving unit for high roof van, 14" D x 48" W x 62" H
1	N5-RS84-4	Steel shelving unit for high roof van, 14" D x 84" W x 62" H

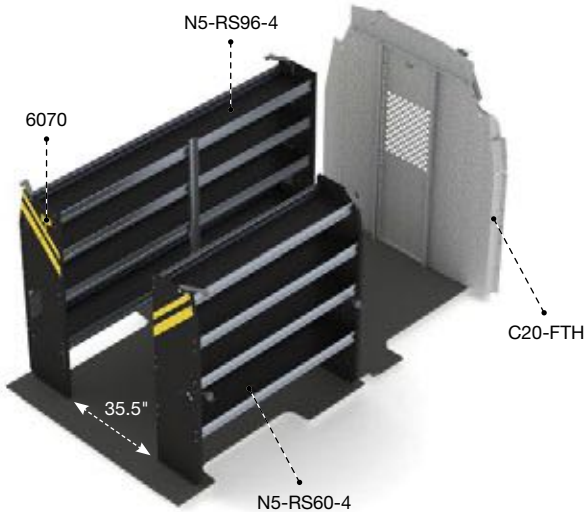


## FTM-10 CONTRACTOR

Steel	148"	Medium Roof
288 lbs	3.8 hrs	Yes

Qty	Part #	Description
1	6070	6" Hook, 3" opening, painted
1	C20-FTM	Straight steel partition with perforated window, no access
1	N5-RS60-4	Steel shelving unit for high roof van, 14" D x 60" W x 62" H
1	N5-RS96-4	Steel shelving unit for high roof van, 14" D x 96" W x 62" H

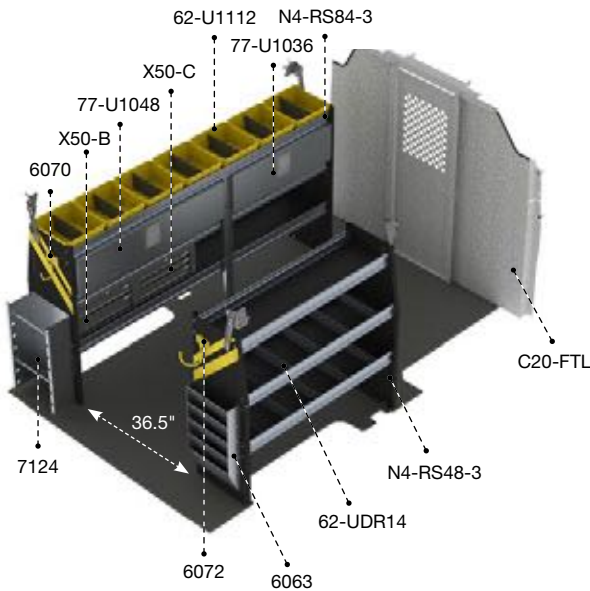
PACKAGES



## FTH-10 CONTRACTOR

Steel	148", 148" Ext.	High Roof
303 lbs	3.8 hrs	Yes

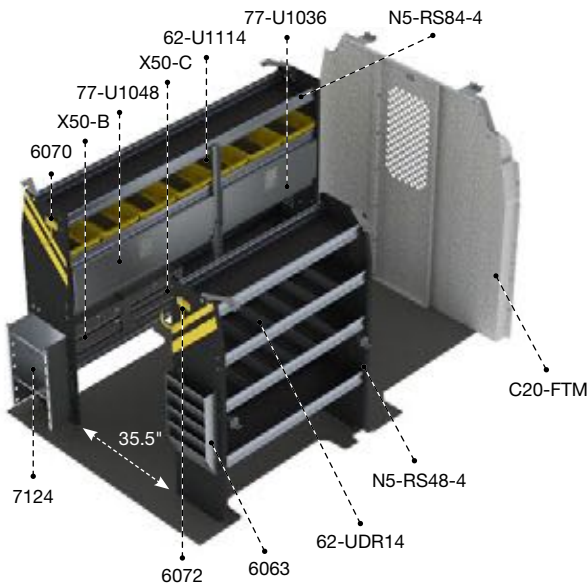
Qty	Part #	Description
1	6070	6" Hook, 3" opening, painted
1	C20-FTH	Straight steel partition with perforated window, no access
1	N5-RS60-4	Steel shelving unit for high roof van, 14" D x 60" W x 62" H
1	N5-RS96-4	Steel shelving unit for high roof van, 14" D x 96" W x 62" H



### FTL-11 ELECTRICAL

	Steel		130", 148"		Low Roof
	314 lbs		5.8 hrs		Yes

Qty	Part #	Description
1	6063	Paper holder, extra deep, 5 slots
1	6070	6" Hook, 3" opening, painted
1	6072	8" Swivel hook, 4" opening, painted
7	62-U1112	12" Deep plastic bin
2	62-UDR14	Set of 5 dividers for a 14" shelf
1	7124	Reel holder with two 5/8" diameter rods
1	77-U1036	Adjustable shelving door unit - 33" W - for 36" and 72" shelves
1	77-U1048	Adjustable shelving door unit - 45" W - for 48" and 96" shelves
1	C20-FTL	Straight steel partition with perforated window, no access
1	N4-RS48-3	Steel shelving unit for low roof van, 14" D x 48" W x 44.5" H
1	N4-RS84-3	Steel shelving unit for low roof van, 14" D x 84" W x 44.5" H
1	X50-B	Compact 2-drawer unit
1	X50-C	Compact 3-drawer unit



### FTR-11 ELECTRICAL

	Steel		130"		Medium Roof
	377 lbs		6.3 hrs		Yes

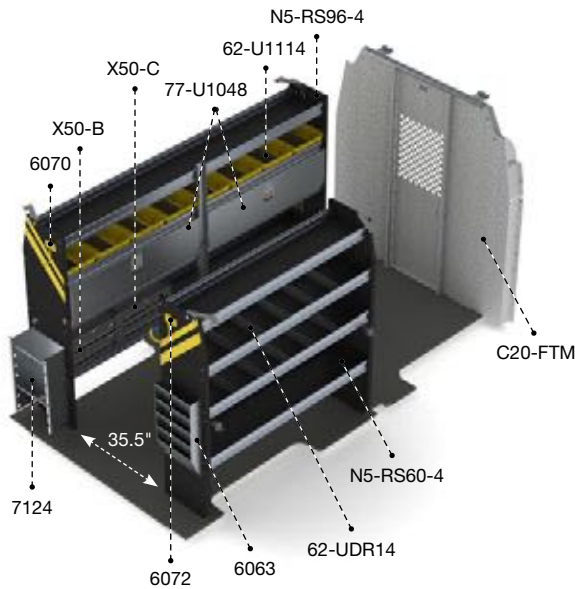
Qty	Part #	Description
1	6063	Paper holder, extra deep, 5 slots
1	6070	6" Hook, 3" opening, painted
1	6072	8" Swivel hook, 4" opening, painted
7	62-U1114	14" Deep plastic bin
2	62-UDR14	Set of 5 dividers for a 14" shelf
1	7124	Reel holder with two 5/8" diameter rods
1	77-U1036	Adjustable shelving door unit - 33" W - for 36" and 72" shelves
1	77-U1048	Adjustable shelving door unit - 45" W - for 48" and 96" shelves
1	C20-FTM	Straight steel partition with perforated window, no access
1	N5-RS48-4	Steel shelving unit for high roof van, 14" D x 48" W x 62" H
1	N5-RS84-4	Steel shelving unit for high roof van, 14" D x 84" W x 62" H
1	X50-B	Compact 2-drawer unit
1	X50-C	Compact 3-drawer unit



# ELECTRICAL FTM-11

**FORD TRANSIT**

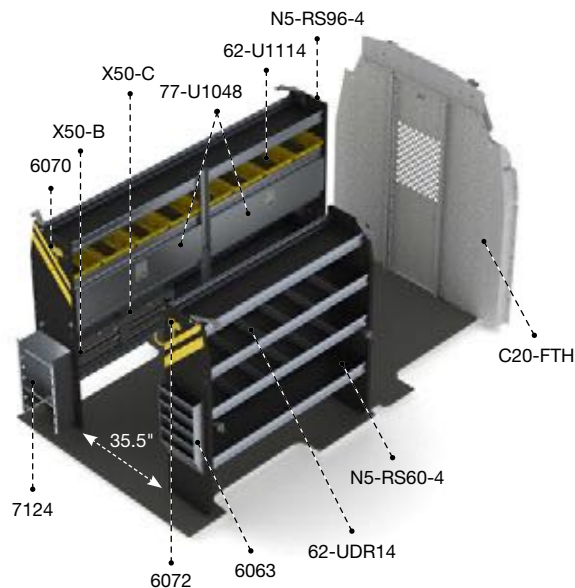




### FTM-11 ELECTRICAL

	Steel		148"		Medium Roof
	401 lbs		6.3 hrs		Yes

Qty	Part #	Description
1	6063	Paper holder, extra deep, 5 slots
1	6070	6" Hook, 3" opening, painted
1	6072	8" Swivel hook, 4" opening, painted
8	62-U1114	14" Deep plastic bin
2	62-UDR14	Set of 5 dividers for a 14" shelf
1	7124	Reel holder with two 5/8" diameter rods
2	77-U1048	Adjustable shelving door unit - 45" W - for 48" and 96" shelves
1	C20-FTM	Straight steel partition with perforated window, no access
1	N5-RS60-4	Steel shelving unit for high roof van, 14" D x 60" W x 62" H
1	N5-RS96-4	Steel shelving unit for high roof van, 14" D x 96" W x 62" H
1	X50-B	Compact 2-drawer unit
1	X50-C	Compact 3-drawer unit



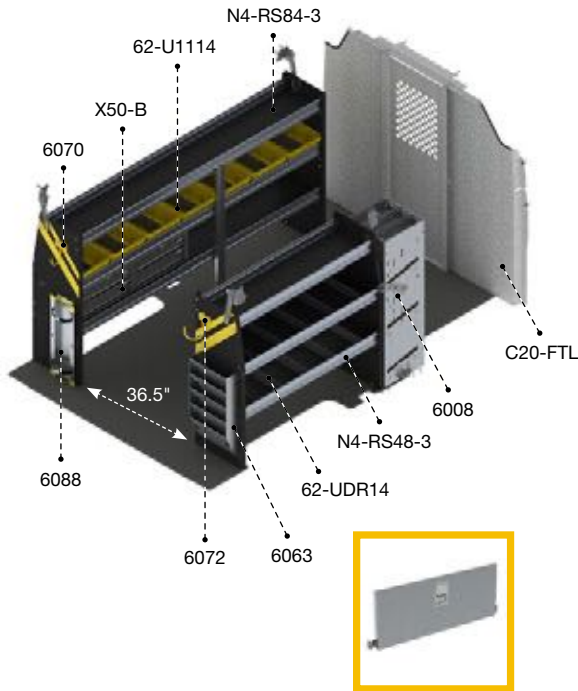
### FTH-11 ELECTRICAL

	Steel		148", 148" Ext.		High Roof
	416 lbs		6.3 hrs		Yes

Qty	Part #	Description
1	6063	Paper holder, extra deep, 5 slots
1	6070	6" Hook, 3" opening, painted
1	6072	8" Swivel hook, 4" opening, painted
8	62-U1114	14" Deep plastic bin
2	62-UDR14	Set of 5 dividers for a 14" shelf
1	7124	Reel holder with two 5/8" diameter rods
2	77-U1048	Adjustable shelving door unit - 45" W - for 48" and 96" shelves
1	C20-FTH	Straight steel partition with perforated window, no access
1	N5-RS60-4	Steel shelving unit for high roof van, 14" D x 60" W x 62" H
1	N5-RS96-4	Steel shelving unit for high roof van, 14" D x 96" W x 62" H
1	X50-B	Compact 2-drawer unit
1	X50-C	Compact 3-drawer unit



## FORD TRANSIT



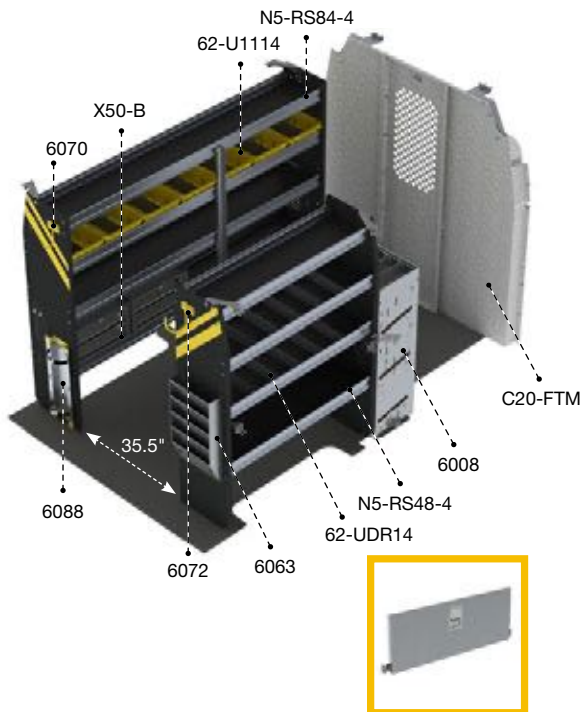
77-U1048

### FTL-12 HVAC

	Steel		130", 148"		Low Roof
	325 lbs		5.6 hrs		Yes

Qty	Part #	Description
1	6008	3 Tier refrigerant rack for large bottles
1	6063	Paper holder, extra deep, 5 slots
1	6070	6" Hook, 3" opening, painted
1	6072	8" Swivel hook, 4" opening, painted
1	6088	Large aluminum bottle holder, with two black nylon straps
7	62-U1114	14" Deep plastic bin
2	62-UDR14	Set of 5 dividers for a 14" shelf
1	77-U1048	Adjustable shelving door unit - 45" W - for 48" & 96" shelves
1	C20-FTL	Straight steel partition with perforated window, no access
1	N4-RS48-3	Steel shelving unit for low roof van, 14" D x 48" W x 44.5" H
1	N4-RS84-3	Steel shelving unit for low roof van, 14" D x 84" W x 44.5" H
2	X50-B	Compact 2-drawer unit

PACKAGES

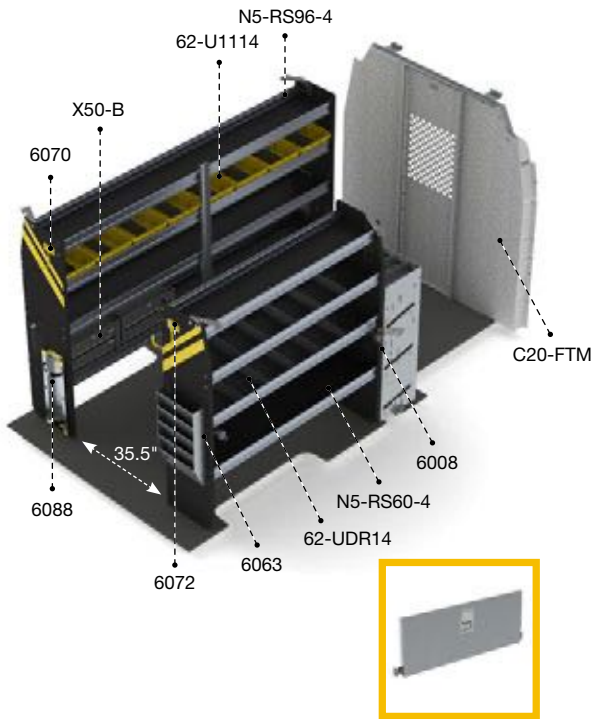


77-U1048

### FTR-12 HVAC

	Steel		130"		Medium Roof
	387 lbs		6.1 hrs		Yes

Qty	Part #	Description
1	6008	3 Tier refrigerant rack for large bottles
1	6063	Paper holder, extra deep, 5 slots
1	6070	6" Hook, 3" opening, painted
1	6072	8" Swivel hook, 4" opening, painted
1	6088	Large aluminum bottle holder, with two black nylon straps
7	62-U1114	14" Deep plastic bin
2	62-UDR14	Set of 5 dividers for a 14" shelf
1	77-U1048	Adjustable shelving door unit - 45" W - for 48" & 96" shelves
1	C20-FTM	Straight steel partition with perforated window, no access
1	N5-RS48-4	Steel shelving unit for high roof van, 14" D x 48" W x 62" H
1	N5-RS84-4	Steel shelving unit for high roof van, 14" D x 84" W x 62" H
2	X50-B	Compact 2-drawer unit



77-U1060

### FTM-12

HVAC

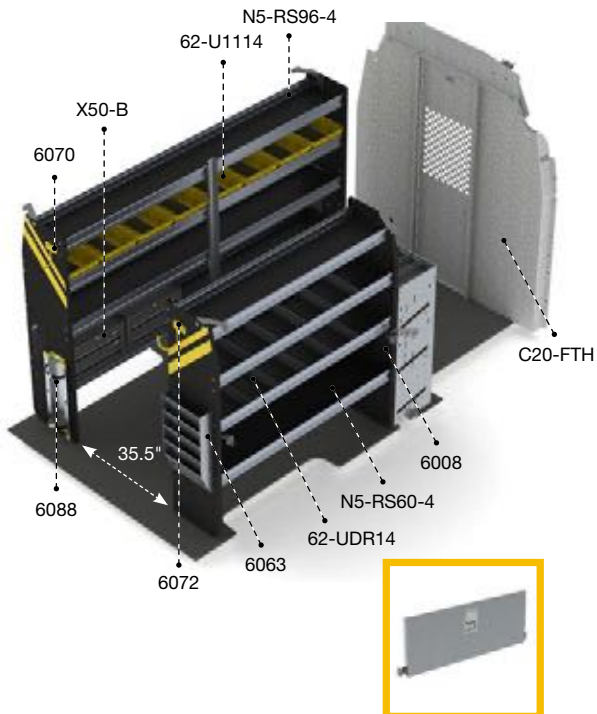
	Steel		148"		Medium Roof
	411 lbs		6.1 hrs		Yes

Qty	Part #	Description
1	6008	3 Tier refrigerant rack for large bottles
1	6063	Paper holder, extra deep, 5 slots
1	6070	6" Hook, 3" opening, painted
1	6072	8" Swivel hook, 4" opening, painted
1	6088	Large aluminum bottle holder, with two black nylon straps
8	62-U1114	14" Deep plastic bin
2	62-UDR14	Set of 5 dividers for a 14" shelf
1	77-U1060	Adjustable shelving door unit - 57" W - for 60" shelves
1	C20-FTM	Straight steel partition with perforated window, no access
1	N5-RS60-4	Steel shelving unit for high roof van, 14" D x 60" W x 62" H
1	N5-RS96-4	Steel shelving unit for high roof van, 14" D x 96" W x 62" H
2	X50-B	Compact 2-drawer unit

### FTH-12

HVAC

	Steel		148", 148" Ext.		High Roof
	426 lbs		6.1 hrs		Yes

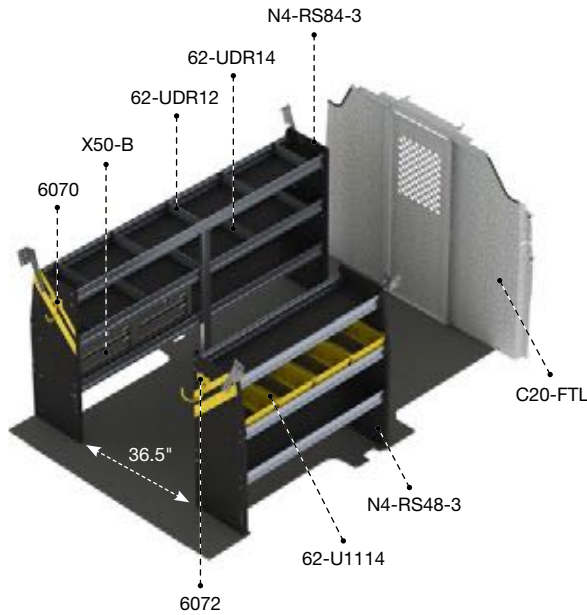


77-U1060

Qty	Part #	Description
1	6008	3 Tier refrigerant rack for large bottles
1	6063	Paper holder, extra deep, 5 slots
1	6070	6" Hook, 3" opening, painted
1	6072	8" Swivel hook, 4" opening, painted
1	6088	Large aluminum bottle holder, with two black nylon straps
8	62-U1114	14" Deep plastic bin
2	62-UDR14	Set of 5 dividers for a 14" shelf
1	77-U1060	Adjustable shelving door unit - 57" W - for 60" shelves
1	C20-FTH	Straight steel partition with perforated window, no access
1	N5-RS60-4	Steel shelving unit for high roof van, 14" D x 60" W x 62" H
1	N5-RS96-4	Steel shelving unit for high roof van, 14" D x 96" W x 62" H
2	X50-B	Compact 2-drawer unit



FORD TRANSIT



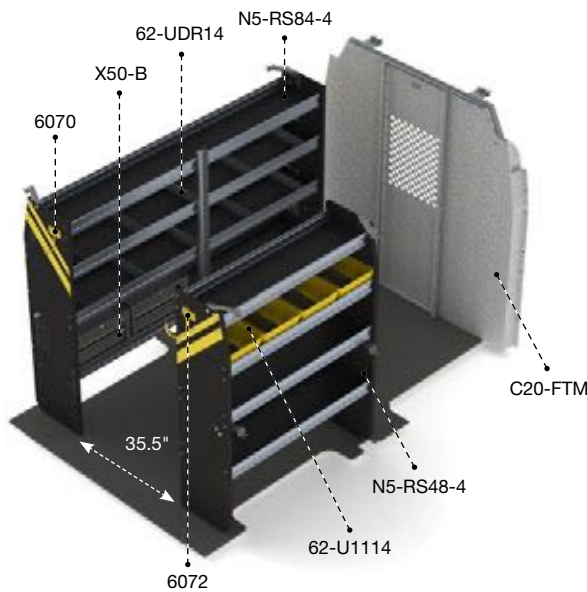
## FTL-16

SERVICE

Steel	130", 148"	Low Roof
273 lbs	4.1 hrs	Yes

Qty	Part #	Description
1	6070	6" Hook, 3" opening, painted
1	6072	8" Swivel hook, 4" opening, painted
4	62-U1114	14" Deep plastic bin
1	62-UDR12	Set of 5 dividers for a 12" shelf
1	62-UDR14	Set of 5 dividers for a 14" shelf
1	C20-FTL	Straight steel partition with perforated window, no access
1	N4-RS48-3	Steel shelving unit for low roof van, 14" D x 48" W x 44.5" H
1	N4-RS84-3	Steel shelving unit for low roof van, 14" D x 84" W x 44.5" H
2	X50-B	Compact 2-drawer unit

PACKAGES



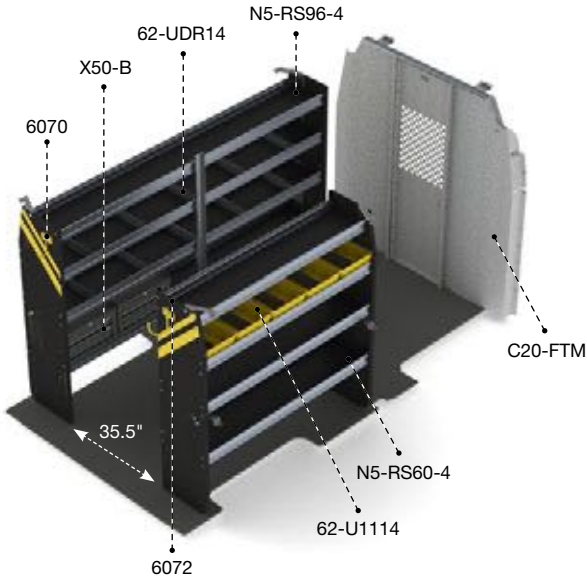
## FTR-16

SERVICE

Steel	130"	Medium Roof
336 lbs	4.6 hrs	Yes

Qty	Part #	Description
1	6070	6" Hook, 3" opening, painted
1	6072	8" Swivel hook, 4" opening, painted
4	62-U1114	14" Deep plastic bin
2	62-UDR14	Set of 5 dividers for a 14" shelf
1	C20-FTM	Straight steel partition with perforated window, no access
1	N5-RS48-4	Steel shelving unit for low roof van, 14" D x 48" W x 62" H
1	N5-RS84-4	Steel shelving unit for low roof van, 14" D x 84" W x 62" H
2	X50-B	Compact 2-drawer unit

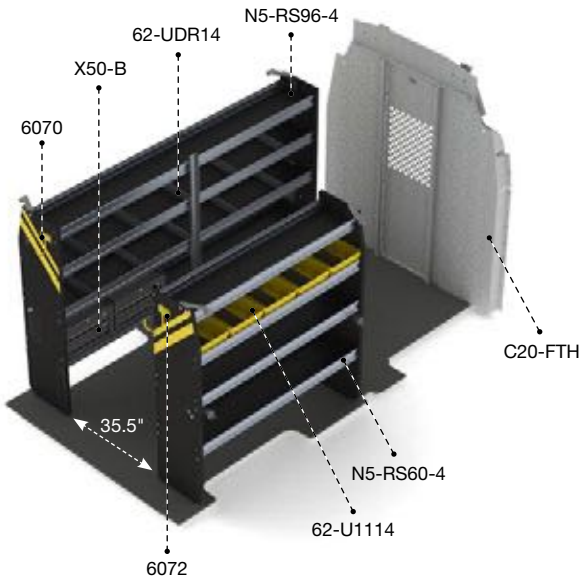




### FTM-16 SERVICE

Steel	148"	Medium Roof
358 lbs	4.6 hrs	Yes

Qty	Part #	Description
1	6070	6" Hook, 3" opening, painted
1	6072	8" Swivel hook, 4" opening, painted
5	62-U1114	14" Deep plastic bin
2	62-UDR14	Set of 5 dividers for a 14" shelf
1	C20-FTM	Straight steel partition with perforated window, no access
1	N5-RS60-4	Steel shelving unit for high roof van, 14" D x 60" W x 62" H
1	N5-RS96-4	Steel shelving unit for high roof van, 14" D x 96" W x 62" H
2	X50-B	Compact 2-drawer unit



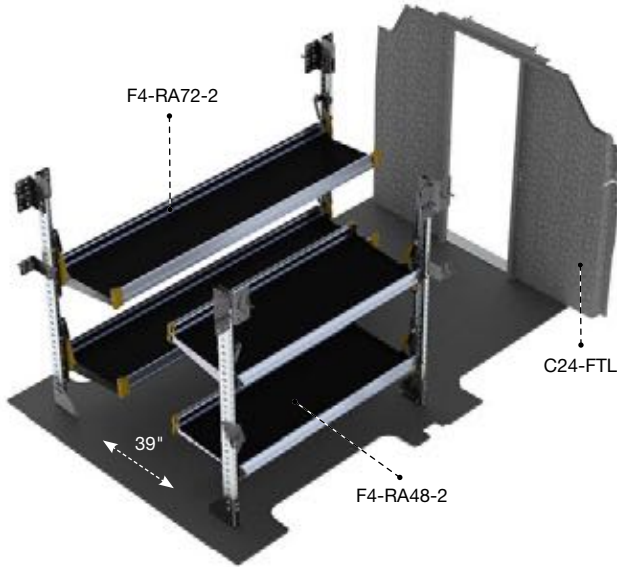
### FTH-16 SERVICE

Steel	148", 148" Ext.	High Roof
373 lbs	4.6 hrs	Yes

Qty	Part #	Description
1	6070	6" Hook, 3" opening, painted
1	6072	8" Swivel hook, 4" opening, painted
5	62-U1114	14" Deep plastic bin
2	62-UDR14	Set of 5 dividers for a 14" shelf
1	C20-FTH	Straight steel partition with perforated window, no access
1	N5-RS60-4	Steel shelving unit for high roof van, 14" D x 60" W x 62" H
1	N5-RS96-4	Steel shelving unit for high roof van, 14" D x 96" W x 62" H
2	X50-B	Compact 2-drawer unit



FORD TRANSIT



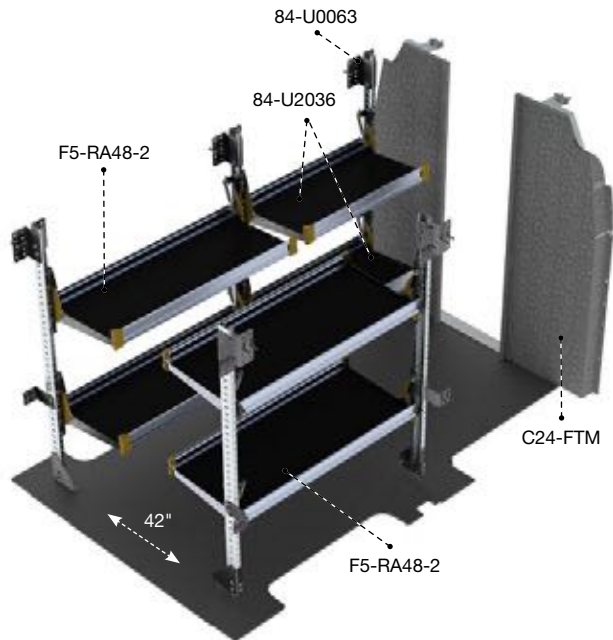
## FTL-19

### DELIVERY

Aluminum	130", 148"	Low Roof
195 lbs	4.4 hrs	Yes

Qty	Part #	Description
1	<b>C24-FTL</b>	Straight walk through steel partition
1	<b>F4-RA72-2</b>	Fold-away unit, 2 levels, 22" D x 72" W x 47" H
1	<b>F4-RA48-2</b>	Fold-away unit, 2 levels, 22" D x 48" W x 47" H

PACKAGES

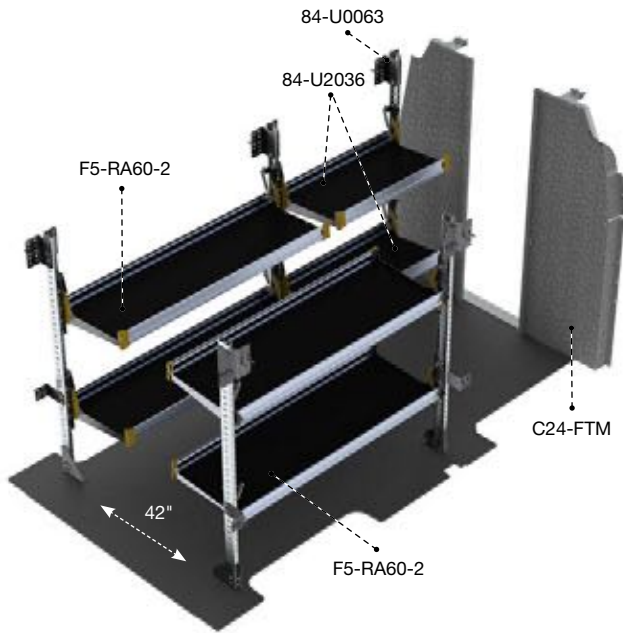


## FTR-19

### DELIVERY

Aluminum	130"	Medium Roof
259 lbs	5.5 hrs	Yes

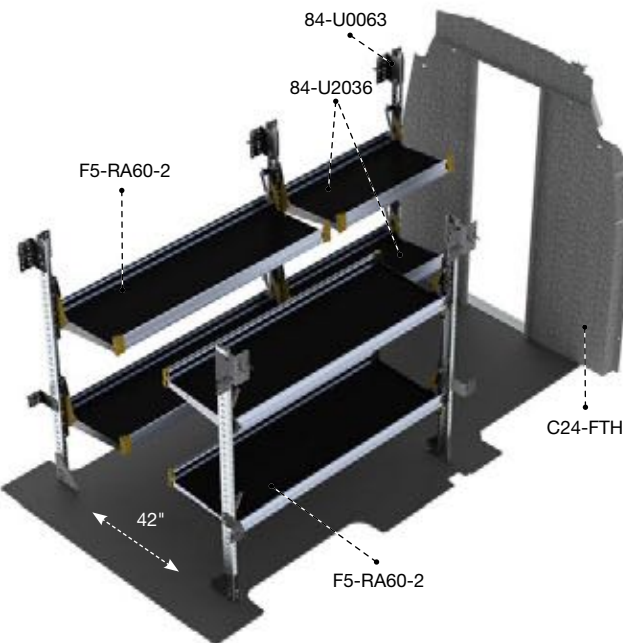
Qty	Part #	Description
1	<b>84-U0063</b>	Post assembly for fold-away shelving, 63"
2	<b>84-U2036</b>	Fold-away shelf tray, 20" D x 36" W
1	<b>C24-FTM</b>	Straight walk through steel partition
2	<b>F5-RA48-2</b>	Fold-away unit, 2 levels, 25" D x 48" W x 63" H



### FTM-19 DELIVERY

Aluminum	148"	Medium Roof
271 lbs	5.5 hrs	Yes

Qty	Part #	Description
1	<b>84-U0063</b>	Post assembly for fold-away shelving, 63"
2	<b>84-U2036</b>	Fold-away shelf tray, 20" D x 36" W
1	<b>C24-FTM</b>	Straight walk through steel partition
2	<b>F5-RA60-2</b>	Fold-away unit, 2 levels, 25" D x 60" W x 63" H



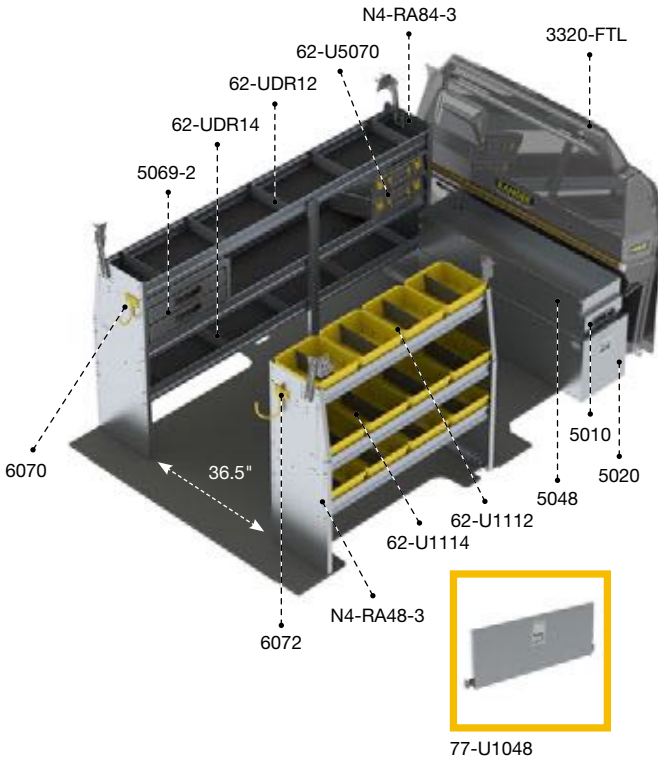
### FTH-19 DELIVERY

Aluminum	148", 148" Ext.	High Roof
277 lbs	5.5 hrs	Yes

Qty	Part #	Description
1	<b>84-U0063</b>	Post assembly for fold-away shelving, 63"
2	<b>84-U2036</b>	Fold-away shelf tray, 20" D x 36" W
1	<b>C24-FTH</b>	Straight walk through steel partition
2	<b>F5-RA60-2</b>	Fold-away unit, 2 levels, 25" D x 60" W x 63" H



## FORD TRANSIT

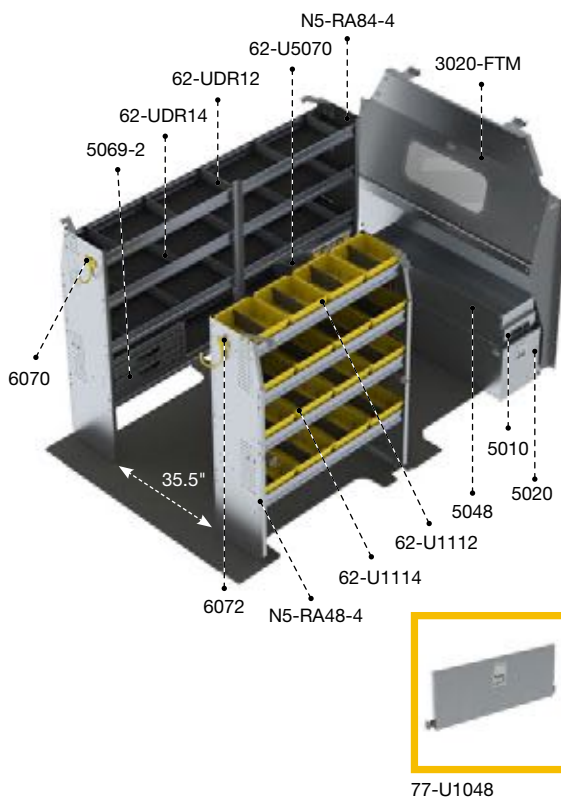


### FTL-27 ALUMINUM

Aluminum	130", 148"	Low Roof
372 lbs	7.3 hrs	Yes

Qty	Part #	Description
1	3320-FTL	Max View Countoured safety partition
1	5010	Partslider 48" D
1	5020	Tool drawer 48" D x 14" W x 16" H
1	5048	Top edge
1	5069-2	2 Drawer cabinet
2	62-U5070	Partskeeper carry case with holder
1	6070	6" Hook, 3" opening, painted
1	6072	8" Swivel hook, 4" opening, painted
4	62-U1112	12" Deep plastic bin
8	62-U1114	14" Deep plastic bin
1	62-UDR12	Set of 5 dividers for a 12" shelf
1	62-UDR14	Set of 5 dividers for a 14" shelf
1	77-U1048	Adjustable shelving door unit - 45" W - for 48" & 96" shelves
1	N4-RA48-3	Aluminum shelving unit for low roof van, 14"D x 48" W x 44.5" H
1	N4-RA84-3	Aluminum shelving unit for low roof van, 14"D x 84" W x 44.5" H

PACKAGES



### FTR-27 ALUMINUM

Aluminum	130"	Medium Roof
423 lbs	7.3 hrs	Yes

Qty	Part #	Description
1	3020-FTM	Countoured safety partition with glass window
1	5010	Partslider 48" D
1	5020	Tool drawer 48" D x 14" W x 16" H
1	5048	Top edge
1	5069-2	2 Drawer cabinet
2	62-U5070	Partskeeper carry case with holder
1	6070	6" Hook, 3" opening, painted
1	6072	8" Swivel hook, 4" opening, painted
4	62-U1112	12" Deep plastic bin
12	62-U1114	14" Deep plastic bin
1	62-UDR12	Set of 5 dividers for a 12" shelf
2	62-UDR14	Set of 5 dividers for a 14" shelf
1	77-U1048	Adjustable shelving door unit - 45" W - for 48" & 96" shelves
1	N5-RA48-4	Aluminum shelving unit for high roof van, 14"D x 48" W x 62" H
1	N5-RA84-4	Aluminum shelving unit for high roof van, 14" D x 84" W x 62" H



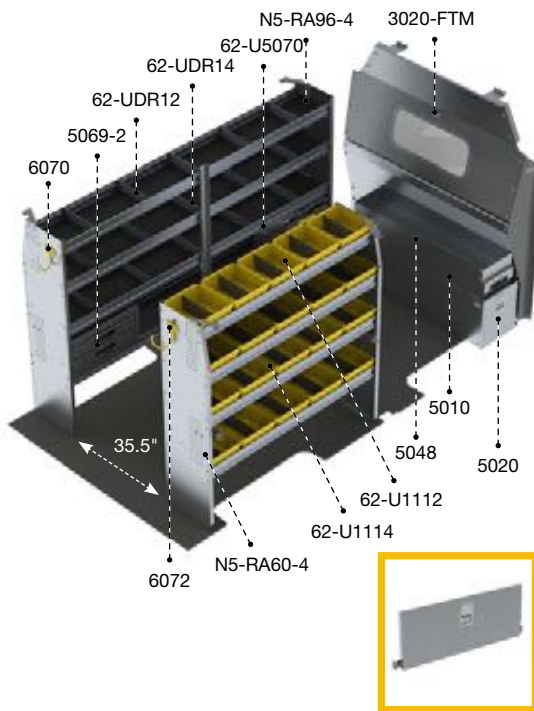
ALUMINUM  
**FTM-27**

**FORD TRANSIT**





## FORD TRANSIT



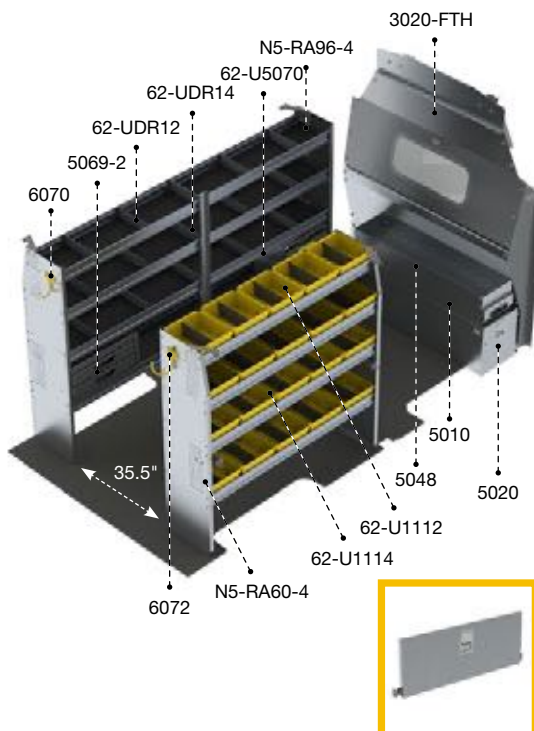
77-U1060

### FTM-27 ALUMINUM

	Aluminum		148"		Medium Roof
	453 lbs		7.3 hrs		Yes

Qty	Part #	Description
1	3020-FTM	Countoured safety partition with glass window
1	5010	Partslider 48" D
1	5020	Tool drawer 48" D x 14" W x 16" H
1	5048	Top edge
1	5069-2	2 Drawer cabinet
2	62-U5070	Partskeeper cabinets
1	6070	6" Hook, 3" opening, painted
1	6072	8" Swivel hook, 4" opening, painted
5	62-U1112	12" Deep plastic bin
15	62-U1114	14" Deep plastic bin
1	62-UDR12	Set of 5 dividers for a 12" shelf
2	62-UDR14	Set of 5 dividers for a 14" shelf
1	77-U1060	Adjustable shelving door unit - 57" W - for 60" shelves
1	N5-RA60-4	Aluminum shelving unit for high roof van, 14"D x 60" W x 62" H
1	N5-RA96-4	Aluminum shelving unit for high roof van, 14"D x 96" W x 62" H

PACKAGES



77-U1060

### FTH-27 ALUMINUM

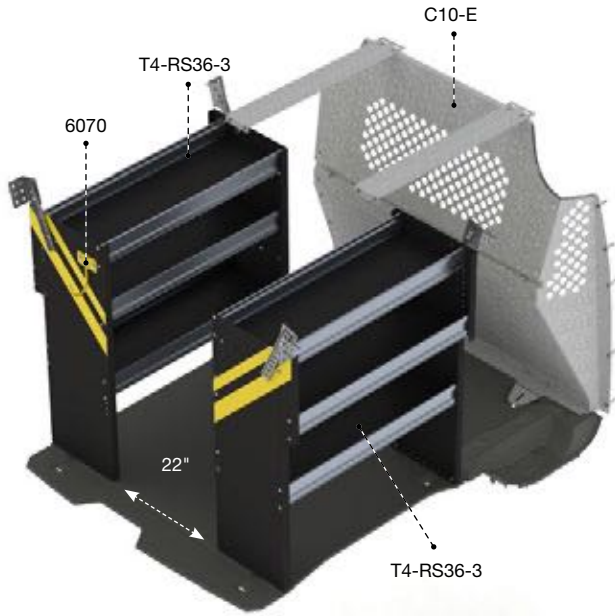
	Aluminum		148", 148" Ext.		High Roof
	467 lbs		7.3 hrs		Yes

Qty	Part #	Description
1	3020-FTH	Countoured safety partition with glass window
1	5010	Partslider 48" D
1	5020	Tool drawer 48" D x 14" W x 16" H
1	5048	Top edge
1	5069-2	2 Drawer cabinet
2	62-U5070	Partskeeper cabinets
1	6070	6" Hook, 3" opening, painted
1	6072	8" Swivel hook, 4" opening, painted
5	62-U1112	12" Deep plastic bin
15	62-U1114	14" Deep plastic bin
1	62-UDR12	Set of 5 dividers for a 12" shelf
2	62-UDR14	Set of 5 dividers for a 14" shelf
1	77-U1060	Adjustable shelving door unit - 57" W - for 60" shelves
1	N5-RA60-4	Aluminum shelving unit for high roof van, 14"D x 60" W x 62" H
1	N5-RA96-4	Aluminum shelving unit for high roof van, 14"D x 96" W x 62" H







## FORD TRANSIT CONNECT



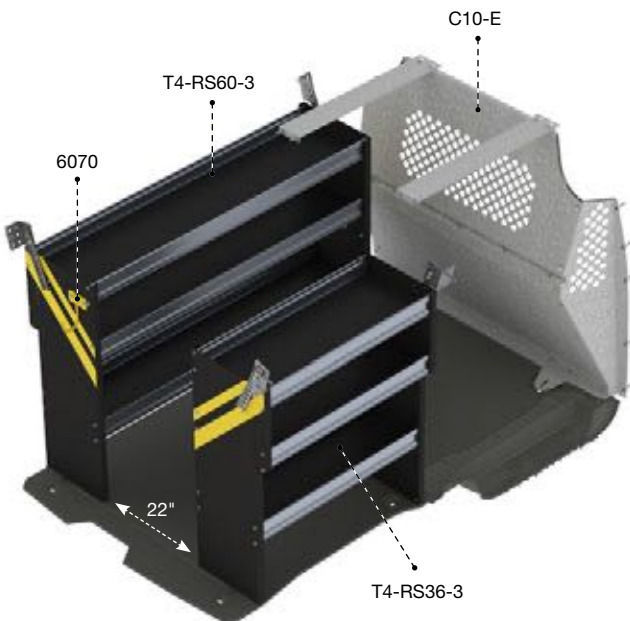
PACKAGES









### TCS-10 CONTRACTOR

 Steel	 105"	 Standard
 149 lbs	 3.2 hrs	 Yes

Qty	Part #	Description
1	<b>6070</b>	6" Hook, 3" opening, painted
1	<b>C10-E</b>	Contoured steel partition with perforated window
2	<b>T4-RS36-3</b>	Steel shelving unit for Transit Connect 14" D x 36" W x 41.5" H



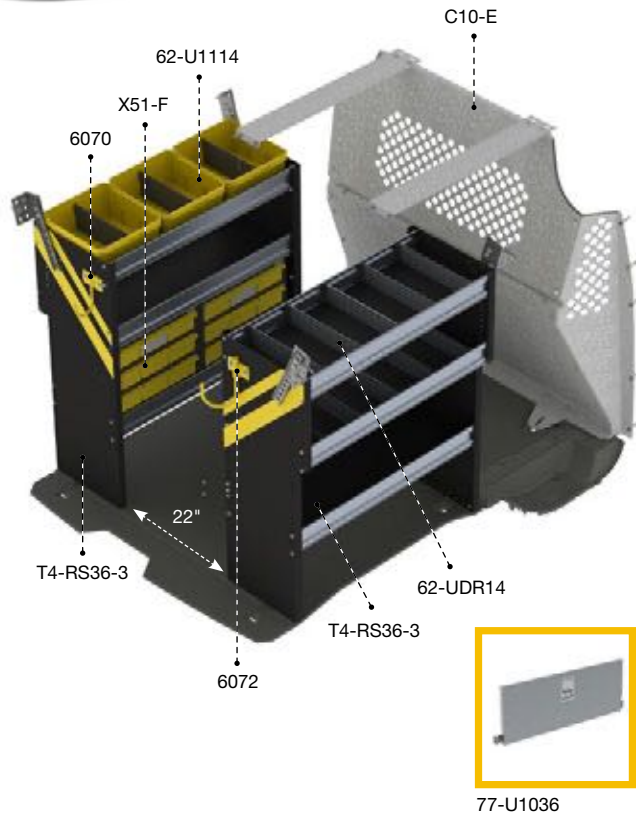
### TCL-10 CONTRACTOR

 Steel	 120.5"	 Standard
 164 lbs	 3.2 hrs	 Yes

Qty	Part #	Description
1	<b>6070</b>	6" Hook, 3" opening, painted
1	<b>C10-E</b>	Contoured steel partition with perforated window
1	<b>T4-RS36-3</b>	Steel shelving unit for Transit Connect 14" D x 36" W x 41.5" H
1	<b>T4-RS60-3</b>	Steel shelving unit for Transit Connect 14" D x 60" W x 41.5" H



FORD TRANSIT CONNECT

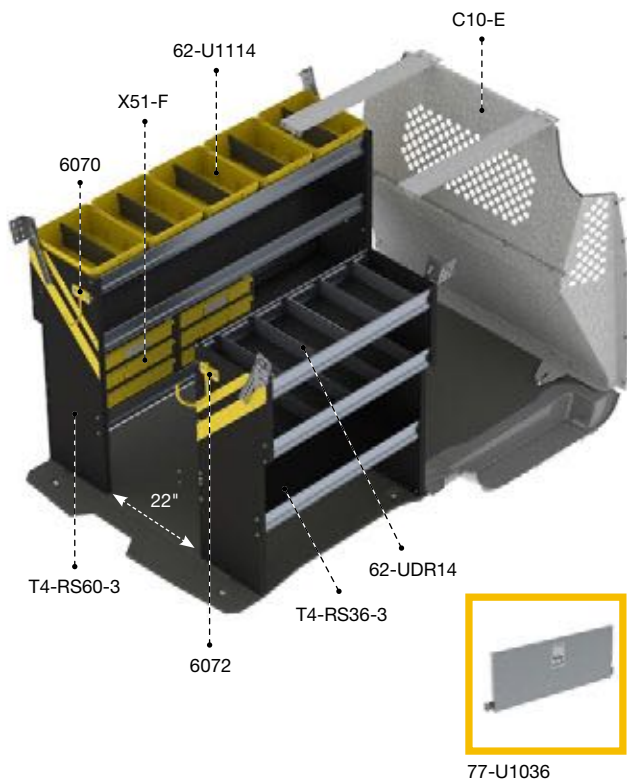


**TCS-11**  
ELECTRICAL

Steel	105"	Standard
223 lbs	4.5 hrs	Yes

Qty	Part #	Description
1	6070	6" Hook, 3" opening, painted
1	6072	8" Swivel hook, 4" opening, painted
3	62-U1114	14" deep plastic bin
2	62-UDR14	Set of 5 dividers for a 14" Shelf
1	77-U1036	Adjustable shelving door unit - 33" W - for 36" & 72" shelves
1	C10-E	Contoured steel partition with perforated window
2	T4-RS36-3	Steel Shelving Unit for Transit Connect 14" D x 36" W x 41.5" H
2	X51-F	Compact 9-drawer unit

PACKAGES



**TCL-11**  
ELECTRICAL

Steel	120.5"	Standard
164 lbs	4.5 hrs	Yes

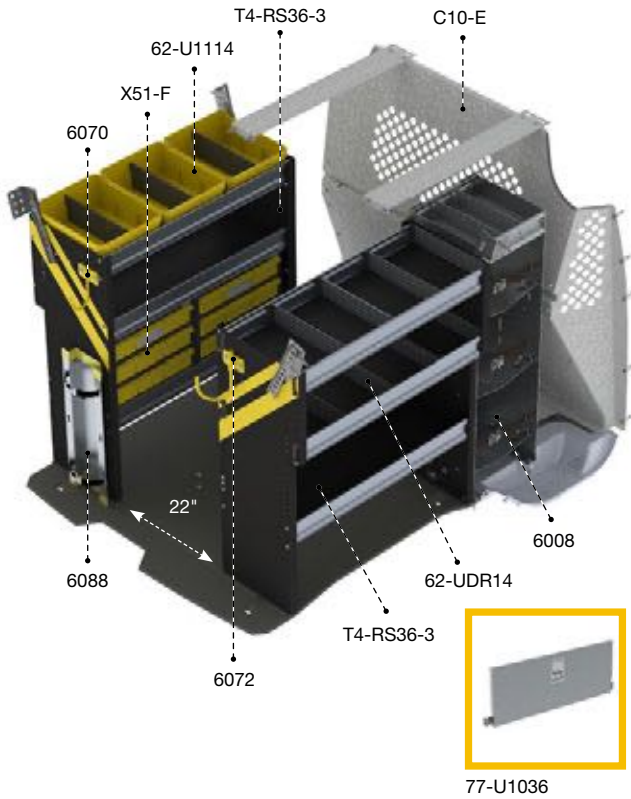
Qty	Part #	Description
1	6070	6" Hook, 3" opening, painted
1	6072	8" Swivel hook, 4" opening, painted
5	62-U1114	14" deep plastic bin
2	62-UDR14	Set of 5 dividers for a 14" Shelf
1	77-U1036	Adjustable shelving door unit - 33" W - for 36" & 72" shelves
1	C10-E	Contoured steel partition with perforated window
1	T4-RS36-3	Steel Shelving Unit for Transit Connect 14" D x 36" W x 41.5" H
1	T4-RS60-3	Steel Shelving Unit for Transit Connect 14" D x 60" W x 41.5" H
2	X51-F	Compact 9-drawer unit





## FORD TRANSIT CONNECT

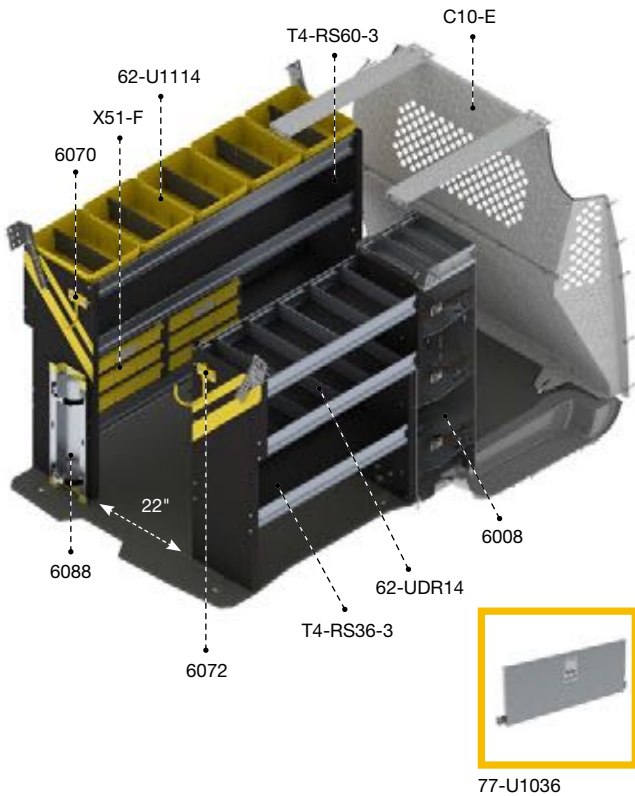
PACKAGES



### TCS-12 HVAC

Steel	105"	Standard
254 lbs	5.3 hrs	Yes

Qty	Part #	Description
1	6008	3 Tier refrigerant rack for large bottles
1	6070	6" Hook, 3" opening, painted
1	6072	8" Swivel hook, 4" opening, painted
1	6088	Large aluminum bottle holder, with two black nylon straps
3	62-U1114	14" Deep plastic bin
2	62-UDR14	Set of 5 dividers for a 14" shelf
1	77-U1036	Adjustable shelving door unit - 33" W - for 36" & 72" shelves
1	C10-E	Contoured steel partition with perforated window
2	T4-RS36-3	Steel shelving unit for Transit Connect 14" D x 36" W x 41.5" H
2	X51-F	Compact 9-drawer unit



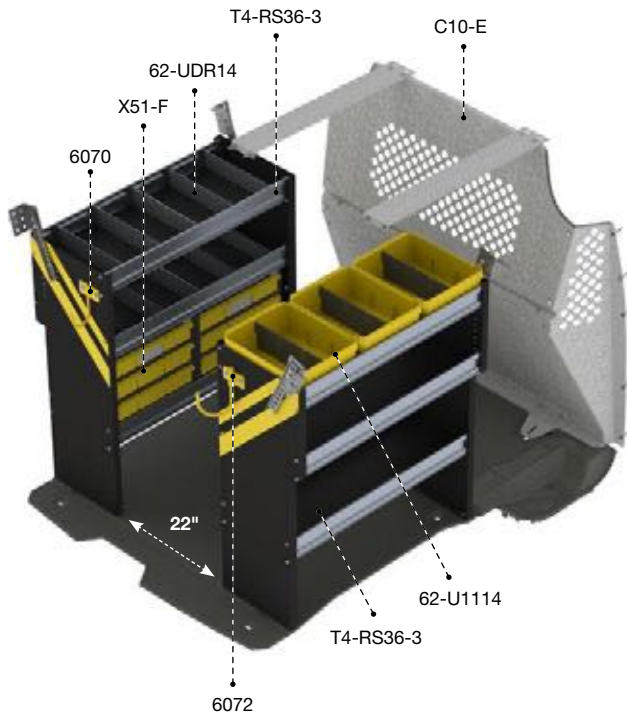
### TCL-12 HVAC

Steel	120.5"	Standard
273 lbs	5.3 hrs	Yes

Qty	Part #	Description
1	6008	3 Tier refrigerant rack for large bottles
1	6070	6" Hook, 3" opening, painted
1	6072	8" Swivel hook, 4" opening, painted
1	6088	Large aluminum bottle holder, with two black nylon straps
5	62-U1114	14" Deep plastic bin
2	62-UDR14	Set of 5 dividers for a 14" shelf
1	77-U1036	Adjustable shelving door unit - 33" W - for 36" & 72" shelves
1	C10-E	Contoured steel partition with perforated window
1	T4-RS36-3	Steel shelving unit for Transit Connect 14" D x 36" W x 41.5" H
1	T4-RS60-3	Steel Shelving Unit for Transit Connect 14" D x 60" W x 41.5" H
2	X51-F	Compact 9-drawer unit



FORD TRANSIT CONNECT

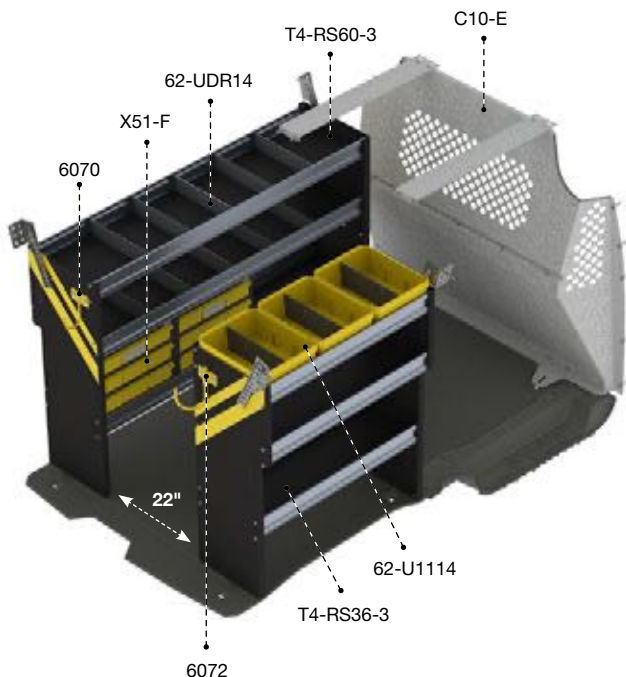


### TCS-16 SERVICE

Steel	105"	Standard
217 lbs	4 hrs	Yes

Qty	Part #	Description
1	6070	6" Hook, 3" opening, painted
1	6072	8" Swivel hook, 4" opening, painted
3	62-U1114	14" deep plastic bin
2	62-UDR14	Set of 5 dividers for a 14" Shelf
1	C10-E	Contoured steel partition with perforated window
2	T4-RS36-3	Steel Shelving Unit 14" D x 36" W x 41.5" H
2	X51-F	Compact 9-drawer unit

PACKAGES



### TCL-16 SERVICE

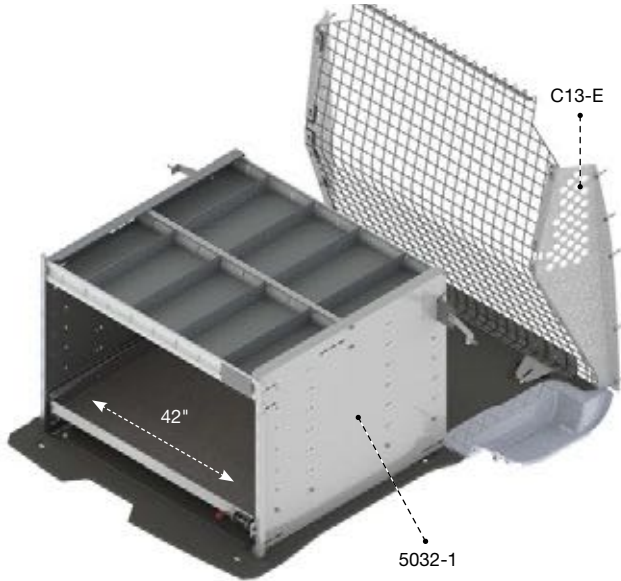
Steel	120.5"	Standard
232 lbs	4 hrs	Yes

Qty	Part #	Description
1	6070	6" Hook, 3" opening, painted
1	6072	8" Swivel hook, 4" opening, painted
3	62-U1114	14" deep plastic bin
2	62-UDR14	Set of 5 dividers for a 14" Shelf
1	C10-E	Contoured steel partition with perforated window
1	T4-RS36-3	Steel Shelving Unit 14" D x 36" W x 41.5" H
1	T4-RS60-3	Steel Shelving Unit 14" D x 60" W x 41.5" H
2	X51-F	Compact 9-drawer unit

## FORD TRANSIT CONNECT



PACKAGES

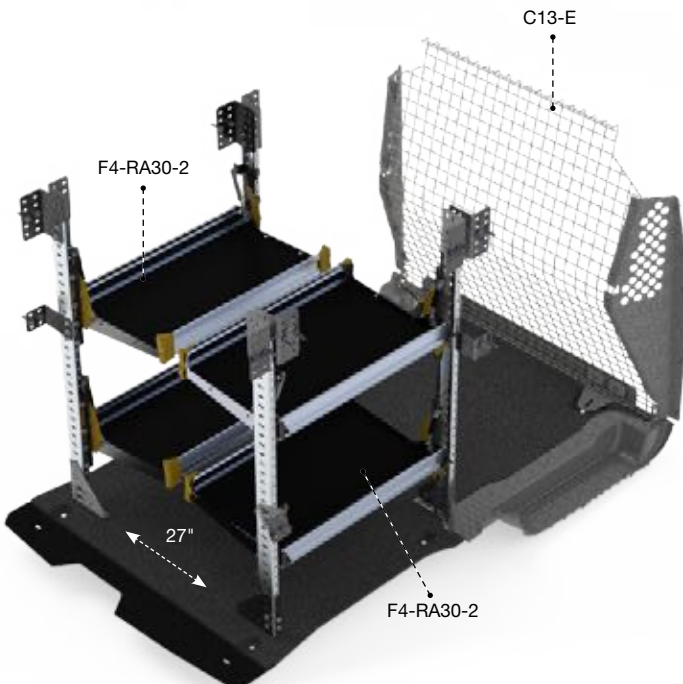


### TCS-19 DELIVERY

■ Aluminum	🚚 105"	🚚 Standard
📦 126 lbs	🕒 1.7 hrs	🛡️ Yes

Qty	Part #	Description
1	<b>5032-1</b>	Axess tray with 1 shelf and 1 drawer, 38" D x 45" W x 30" H
1	<b>C13-E</b>	Wire mesh partition

Install kit # 6472 can be purchased separately.



### TCL-19 DELIVERY

■ Aluminum	🚚 120.5"	🚚 Standard
📦 154 lbs	🕒 3.9 hrs	🛡️ Yes

Qty	Part #	Description
1	<b>C13-E</b>	Wire mesh partition
2	<b>F4-RA30-2</b>	Fold-away unit, 2 levels, 22" D x 30" W x 47" H



# SERVICE **TCL-16**

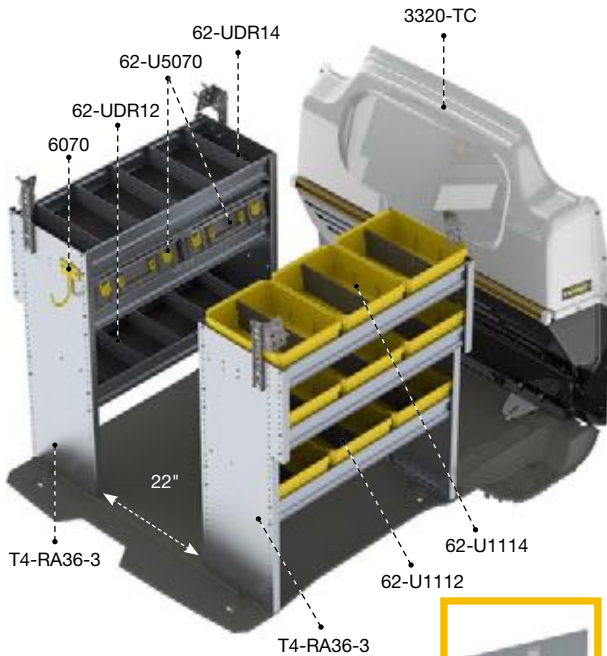
**FORD TRANSIT CONNECT**



## FORD TRANSIT CONNECT



PACKAGES

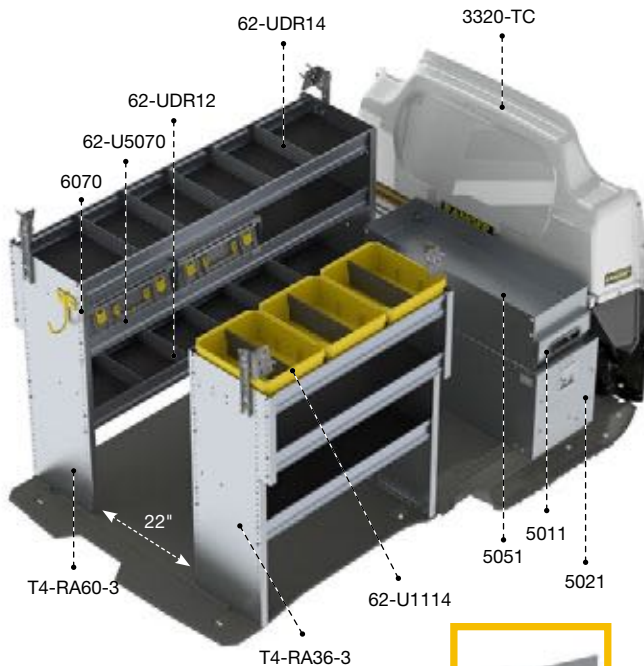


77-U1036

### TCS-27 ALUMINUM

Aluminum	105"	Standard
161 lbs	4.3 hrs	Yes

Qty	Part #	Description
1	<b>3320-TC</b>	Max View countoured safety partition
2	<b>62-U5070</b>	Partskeeper carry case with holder
1	<b>6070</b>	6" Hook, 3" opening, painted
3	<b>62-U1112</b>	12" Deep plastic bin
6	<b>62-U1114</b>	14" Deep plastic bin
1	<b>62-UDR12</b>	Set of 5 dividers for a 12" shelf
1	<b>62-UDR14</b>	Set of 5 dividers for a 14" shelf
1	<b>77-U1036</b>	Adjustable shelving door unit - 33" W - for 36" & 72" shelves
2	<b>T4-RA36-3</b>	Aluminum shelving unit for Transit Connect 14" D x 36" W x 41.5" H

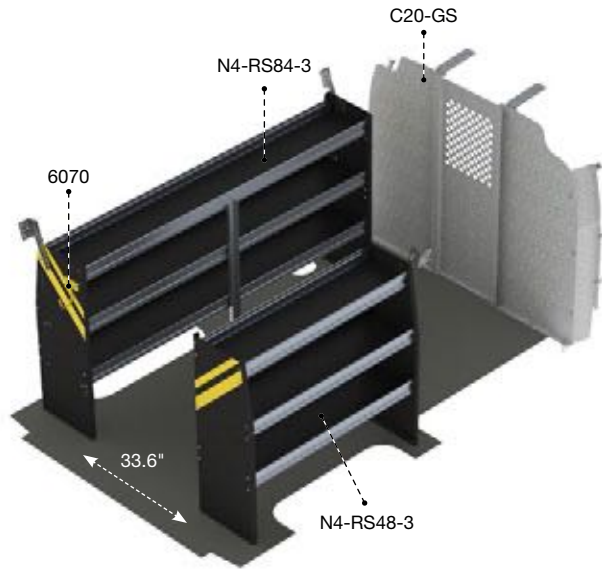


77-U1036

### TCL-27 ALUMINUM

Aluminum	120.5"	Standard
240 lbs	6 hrs	Yes

Qty	Part #	Description
1	<b>3320-TC</b>	Max View countoured safety partition
1	<b>5011</b>	Partslider 36" D
1	<b>5021</b>	Tool drawer 36" D x 14" W x 16" H
1	<b>5051</b>	Top edge
2	<b>62-U5070</b>	Partskeeper carry case with holder
1	<b>6070</b>	6" Hook, 3" opening, painted
3	<b>62-U1114</b>	14" Deep plastic bin
1	<b>62-UDR12</b>	Set of 5 dividers for a 12" shelf
1	<b>62-UDR14</b>	Set of 5 dividers for a 14" shelf
1	<b>77-U1036</b>	Adjustable shelving door unit - 33" W - for 36" & 72" shelves
1	<b>T4-RA36-3</b>	Aluminum shelving unit for Transit Connect 14" D x 36" W x 41.5" H
1	<b>T4-RA60-3</b>	Aluminum shelving unit for Transit Connect 14" D x 60" W x 41.5" H

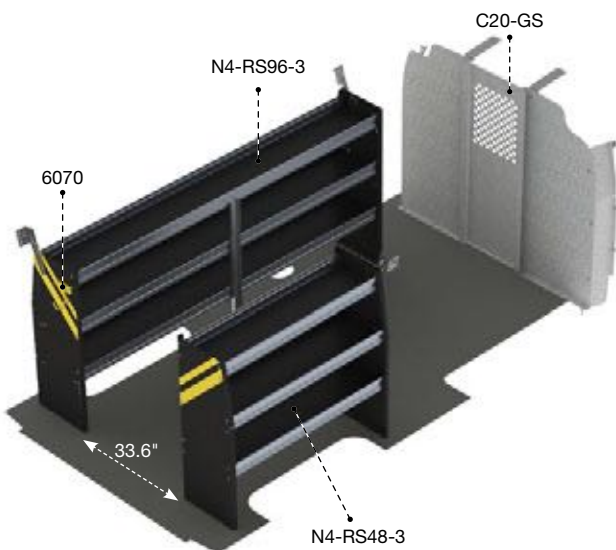


## GSR-10 CONTRACTOR

Steel	135"	Standard
203 lbs	3.8 hrs	Yes

Qty	Part	Description
1	6070	6" Hook, 3" opening, painted
1	C20-GS	Straight steel partition with perforated window, no access
1	N4-RS48-3	Steel shelving unit for low roof van 14" D x 48" W x 44.5" H
1	N4-RS84-3	Steel shelving unit for low roof van 14" D x 84" W x 44.5" H

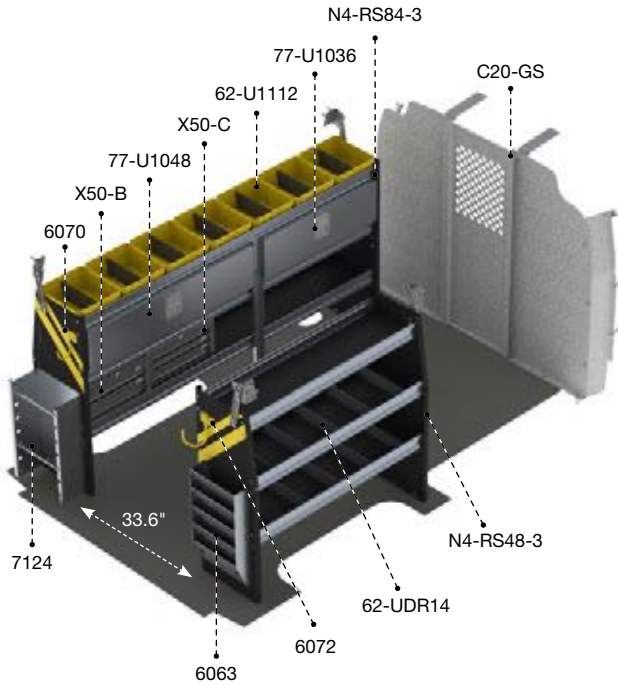
PACKAGES



## GSL-10 CONTRACTOR

Steel	155"	Standard
211 lbs	3.8 hrs	Yes

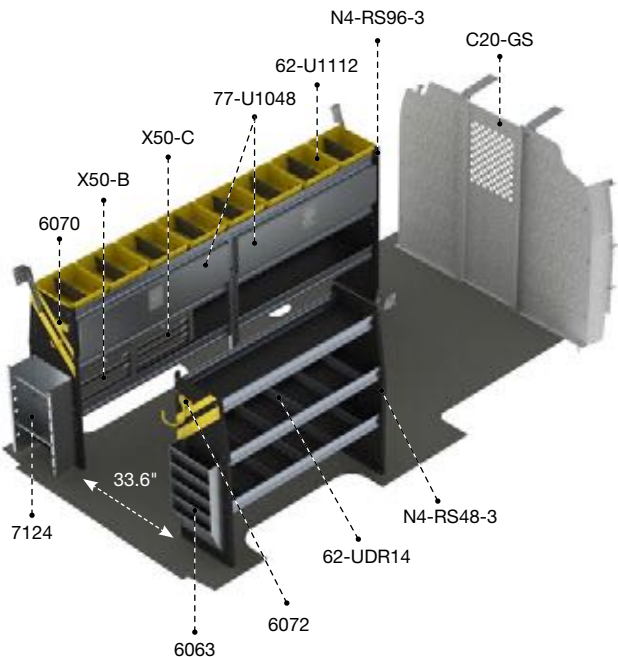
Qty	Part	Description
1	6070	6" Hook, 3" opening, painted
1	C20-GS	Straight steel partition with perforated window, no access
1	N4-RS48-3	Steel shelving unit for low roof van 14" D x 48" W x 44.5" H
1	N4-RS96-3	Steel shelving unit for low roof van 14" D x 96" W x 44.5" H



### GSR-11 ELECTRICAL

Steel	135"	Standard
311 lbs	6.3 hrs	Yes

Qty	Part	Description
1	6063	Paper holder, extra deep, 5 slots
1	6070	6" Hook, 3" opening, painted
1	6072	8" Swivel hook, 4" opening, painted
1	7124	Reel holder with two 5/8" diameter rods
7	62-U1112	12" deep plastic bin
2	62-UDR14	Set of 5 dividers for a 14" Shelf
1	77-U1036	Adjustable shelving door unit - 33" W - for 36" & 72" shelves
1	77-U1048	Adjustable shelving door unit - 45" W - for 48" & 96" shelves
1	C20-GS	Straight steel partition with perforated window, no access
1	N4-RS48-3	Steel shelving unit for low roof van 14" D x 48" W x 44.5" H
1	N4-RS84-3	Steel shelving unit for low roof van 14" D x 84" W x 44.5" H
1	X50-B	Compact 2-drawer unit
1	X50-C	Compact 3-drawer unit



### GSL-11 ELECTRICAL

Steel	155"	Standard
322 lbs	6.3 hrs	Yes

Qty	Part	Description
1	6063	Paper holder, extra deep, 5 slots
1	6070	6" Hook, 3" opening, painted
1	6072	8" Swivel hook, 4" opening, painted
1	7124	Reel holder with two 5/8" diameter rods
8	62-U1112	12" deep plastic bin
2	62-UDR14	Set of 5 dividers for a 14" Shelf
2	77-U1048	Adjustable shelving door unit - 45" W - for 48" & 96" shelves
1	C20-GS	Straight steel partition with perforated window, no access
1	N4-RS48-3	Steel shelving unit for low roof van 14" D x 48" W x 44.5" H
1	N4-RS96-3	Steel shelving unit for low roof van 14" D x 96" W x 44.5" H
1	X50-B	Compact 2-drawer unit
1	X50-C	Compact 3-drawer unit

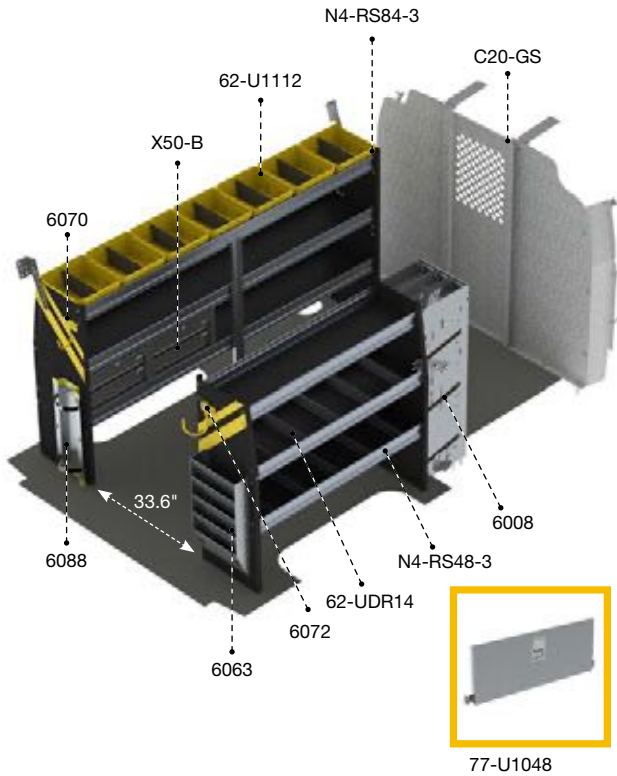


# HVAC GSR-12

**GMC SAVANA**







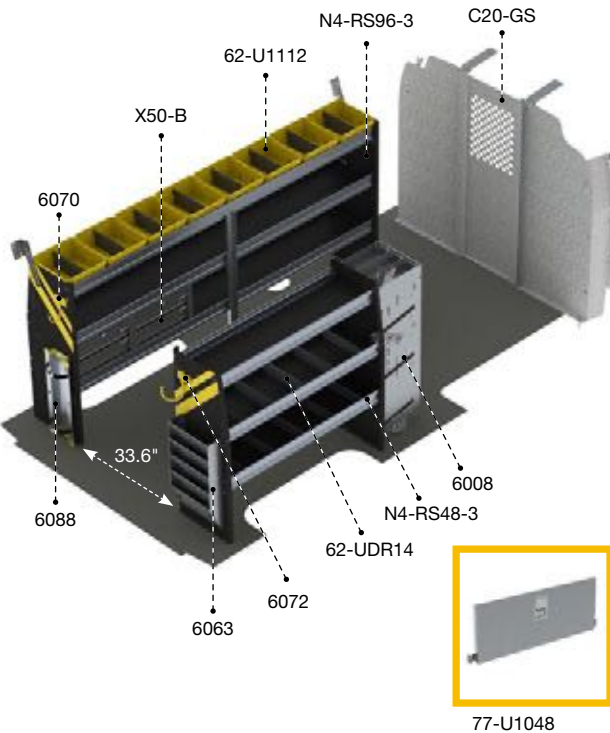
### GSR-12 HVAC

	Steel		135"		Standard
	320 lbs		6.1 hrs		Yes

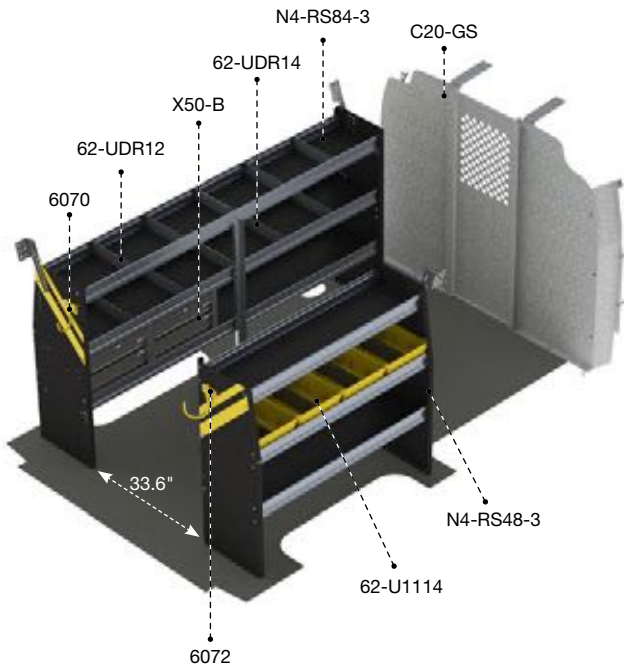
Qty	Part	Description
1	<b>6008</b>	3 Tier refrigerant rack for large bottles
1	<b>6063</b>	Paper holder, extra deep, 5 slots
1	<b>6070</b>	6" Hook, 3" opening, painted
1	<b>6072</b>	8" Swivel hook, 4" opening, painted
1	<b>6088</b>	Large aluminum bottle holder, with two black nylon straps
7	<b>62-U1112</b>	12" deep plastic bin
2	<b>62-UDR14</b>	Set of 5 dividers for a 14" Shelf
1	<b>77-U1048</b>	Adjustable shelving door unit - 45" W - for 48" & 96" shelves
1	<b>C20-GS</b>	Straight steel partition with perforated window, no access
1	<b>N4-RS48-3</b>	Steel shelving unit for low roof van 14" D x 48" W x 44.5" H
1	<b>N4-RS84-3</b>	Steel shelving unit for low roof van 14" D x 84" W x 44.5" H
2	<b>X50-B</b>	Compact 2-drawer unit

### GSL-12 HVAC

	Steel		155"		Standard
	330 lbs		6.1 hrs		Yes



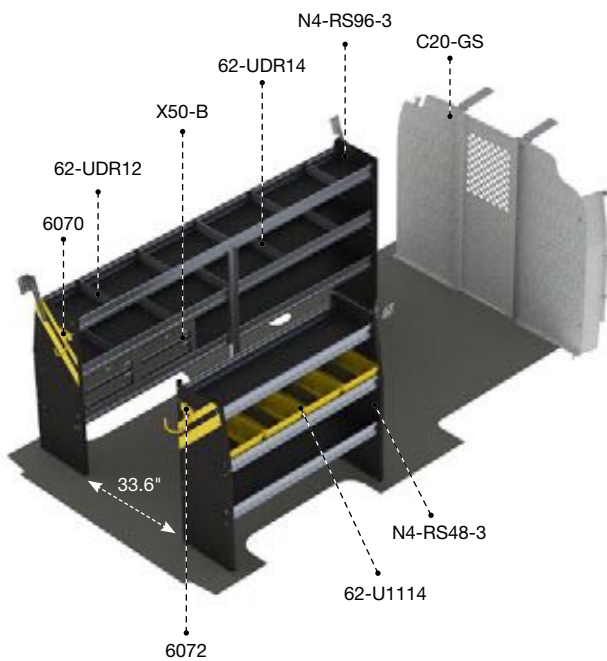
Qty	Part	Description
1	<b>6008</b>	3 Tier refrigerant rack for large bottles
1	<b>6063</b>	Paper holder, extra deep, 5 slots
1	<b>6070</b>	6" Hook, 3" opening, painted
1	<b>6072</b>	8" Swivel hook, 4" opening, painted
1	<b>6088</b>	Large aluminum bottle holder, with two black nylon straps
8	<b>62-U1112</b>	12" deep plastic bin
2	<b>62-UDR14</b>	Set of 5 dividers for a 14" Shelf
1	<b>77-U1048</b>	Adjustable shelving door unit - 45" W - for 48" & 96" shelves
1	<b>C20-GS</b>	Straight steel partition with perforated window, no access
1	<b>N4-RS48-3</b>	Steel shelving unit for low roof van 14" D x 48" W x 44.5" H
1	<b>N4-RS96-3</b>	Steel shelving unit for low roof van 14" D x 96" W x 44.5" H
2	<b>X50-B</b>	Compact 2-drawer unit



## GSR-16 SERVICE

Steel	135"	Standard
270 lbs	4.6 hrs	Yes

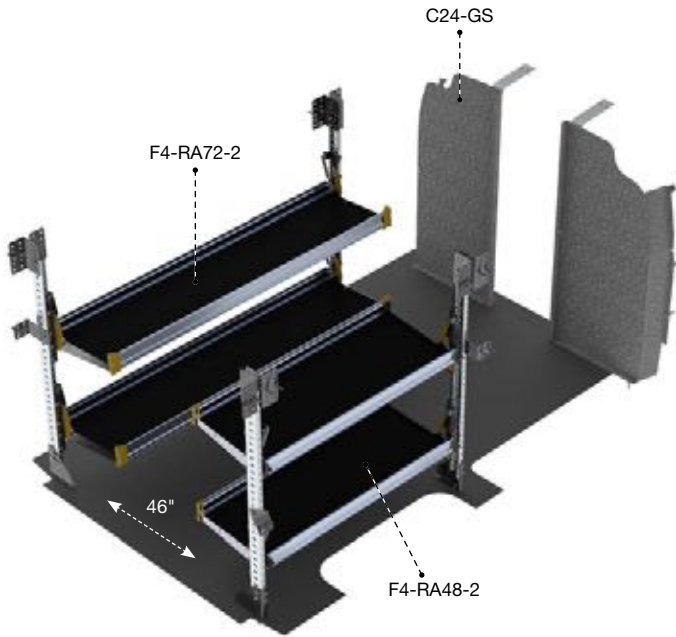
Qty	Part	Description
1	6070	6" Hook, 3" opening, painted
1	6072	8" Swivel hook, 4" opening, painted
4	62-U1114	14" deep plastic bin
1	62-UDR12	Set of 5 dividers for a 12" Shelf
1	62-UDR14	Set of 5 dividers for a 14" Shelf
1	C20-GS	Straight steel partition with perforated window, no access
1	N4-RS48-3	Steel shelving unit for low roof van 14" D x 48" W x 44.5" H
1	N4-RS84-3	Steel shelving unit for low roof van 14" D x 84" W x 44.5" H
2	X50-B	Compact 2-drawer unit



## GSL-16 SERVICE

Steel	155"	Standard
278 lbs	4.6 hrs	Yes

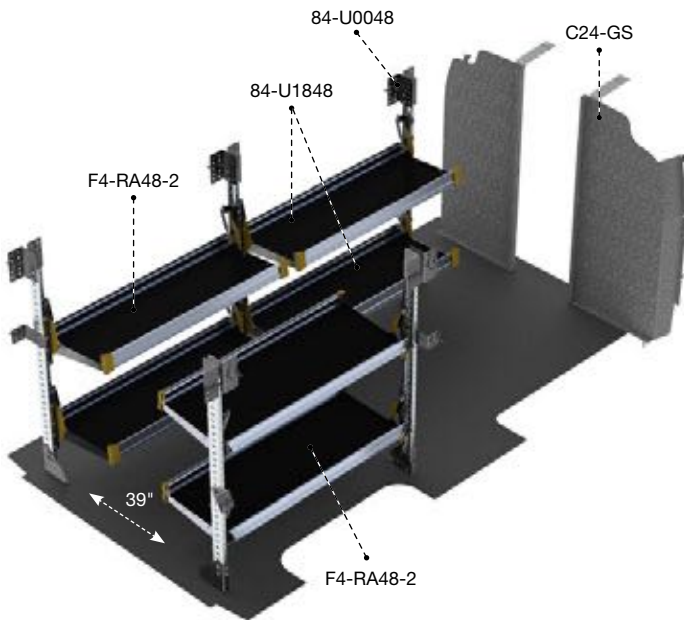
Qty	Part	Description
1	6070	6" Hook, 3" opening, painted
1	6072	8" Swivel hook, 4" opening, painted
4	62-U1114	14" deep plastic bin
1	62-UDR12	Set of 5 dividers for a 12" Shelf
1	62-UDR14	Set of 5 dividers for a 14" Shelf
1	C20-GS	Straight steel partition with perforated window, no access
1	N4-RS48-3	Steel shelving unit for low roof van 14" D x 48" W x 44.5" H
1	N4-RS96-3	Steel shelving unit for low roof van 14" D x 96" W x 44.5" H
2	X50-B	Compact 2-drawer unit



### GSR-19 DELIVERY

Aluminum	135"	Standard
195 lbs	4.2 hrs	Yes

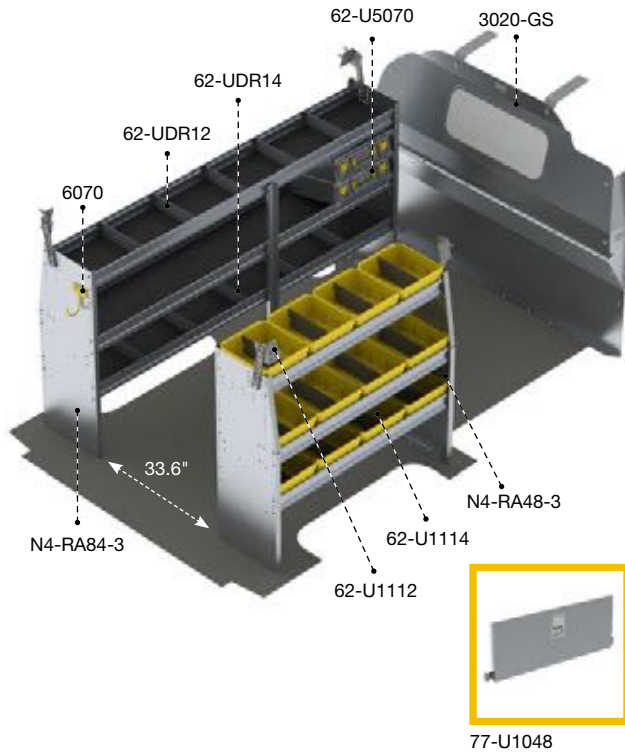
Qty	Part	Description
1	<b>C24-GS</b>	Straight walk through steel partition
1	<b>F4-RA72-2</b>	Fold-away unit, 2 levels, 22" D x 72" W x 47" H
1	<b>F4-RA48-2</b>	Fold-away unit, 2 levels, 22" D x 48" W x 47" H



### GSL-19 DELIVERY

Aluminum	155"	Standard
239 lbs	5.3 hrs	Yes

Qty	Part	Description
1	<b>84-U0048</b>	Post assembly for fold-away shelving, 48"
2	<b>84-U1848</b>	Fold-away shelf tray, 18" D x 48" W
1	<b>C24-GS</b>	Straight walk through steel partition
2	<b>F4-RA48-2</b>	Fold-away unit, 2 levels, 22" D x 48" W x 47" H

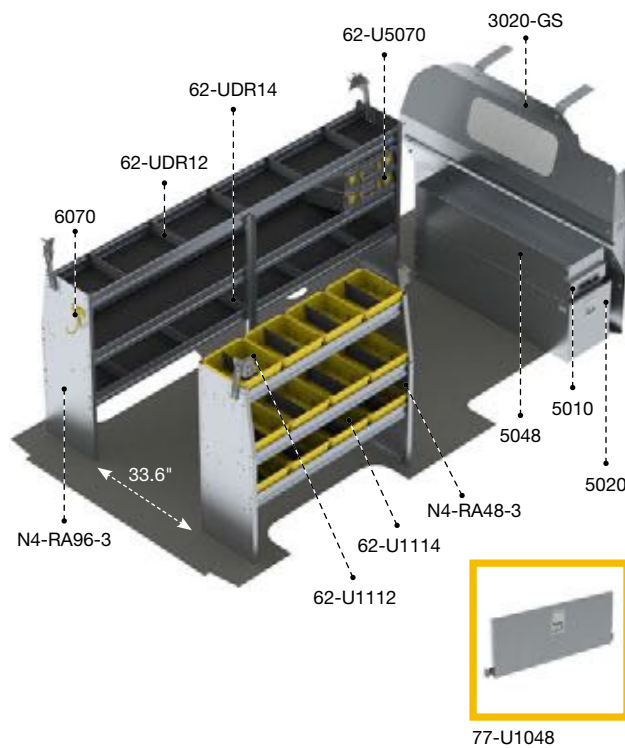


## GSR-27 ALUMINUM

Aluminum	135"	Standard
224 lbs	4.4 hrs	Yes

Qty	Part	Description
1	<b>3020-GS</b>	Countoured safety partition with glass window
2	<b>62-U5070</b>	Partskeeper carry case with holder
1	<b>6070</b>	6" Hook, 3" opening, painted
4	<b>62-U1112</b>	12" deep plastic bin
8	<b>62-U1114</b>	14" deep plastic bin
1	<b>62-UDR12</b>	Set of 5 dividers for a 12" Shelf
1	<b>62-UDR14</b>	Set of 5 dividers for a 14" Shelf
1	<b>77-U1048</b>	Adjustable shelving door unit - 45" W - for 48" & 96" shelves
1	<b>N4-RA48-3</b>	Aluminum shelving unit for low roof van 14" D x 48" W x 44.5" H
1	<b>N4-RA84-3</b>	Aluminum shelving unit for low roof van 14" D x 84" W x 44.5" H

PACKAGES



## GSL-27 ALUMINUM

Aluminum	155"	Standard
339 lbs	6.1 hrs	Yes

Qty	Part	Description
1	<b>3020-GS</b>	Countoured safety partition with glass window
1	<b>5010</b>	Partslider drawer 48" D
1	<b>5020</b>	Tool Drawer 48" D x 14" W x 16" H
1	<b>5048</b>	Top edge
2	<b>62-U5070</b>	Partskeeper carry case with holder
1	<b>6070</b>	6" Hook, 3" opening, painted
4	<b>62-U1112</b>	12" deep plastic bin
8	<b>62-U1114</b>	14" deep plastic bin
1	<b>62-UDR12</b>	Set of 5 dividers for a 12" Shelf
1	<b>62-UDR14</b>	Set of 5 dividers for a 14" Shelf
1	<b>77-U1048</b>	Adjustable shelving door unit - 45" W - for 48" & 96" shelves
1	<b>N4-RA48-3</b>	Aluminum shelving unit for low roof van 14" D x 48" W x 44.5" H
1	<b>N4-RA96-3</b>	Aluminum shelving unit for low roof van 14" D x 96" W x 44.5" H

## MERCEDES-BENZ METRIS



PACKAGES

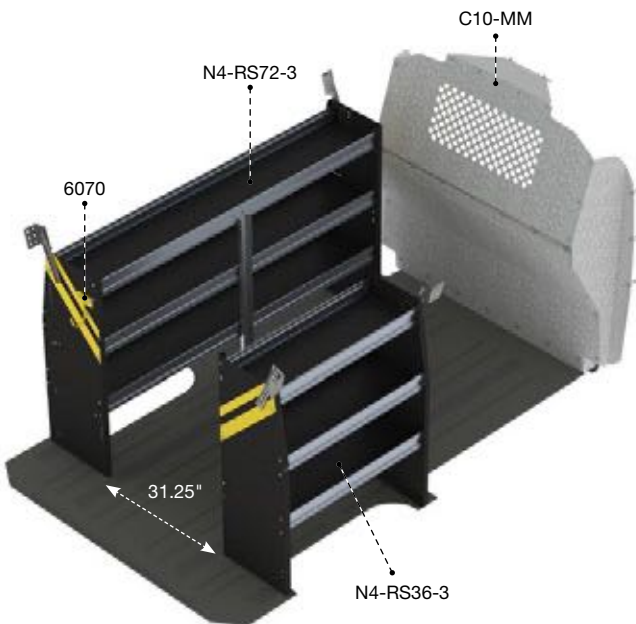


### MMR-10 CONTRACTOR

Steel	126", 135"	Standard
164 lbs	3.2 hrs	Yes

Qty	Part #	Description
1	6070	6" Hook, 3" opening, painted
1	C10-MM	Contoured steel partition with perforated window
2	N4-RS36-3	Steel shelving unit for low roof van 14" D x 36" W x 46.5" H

The Base package is designed to fit in a Metris with dual sliding doors.



### MML-10 CONTRACTOR

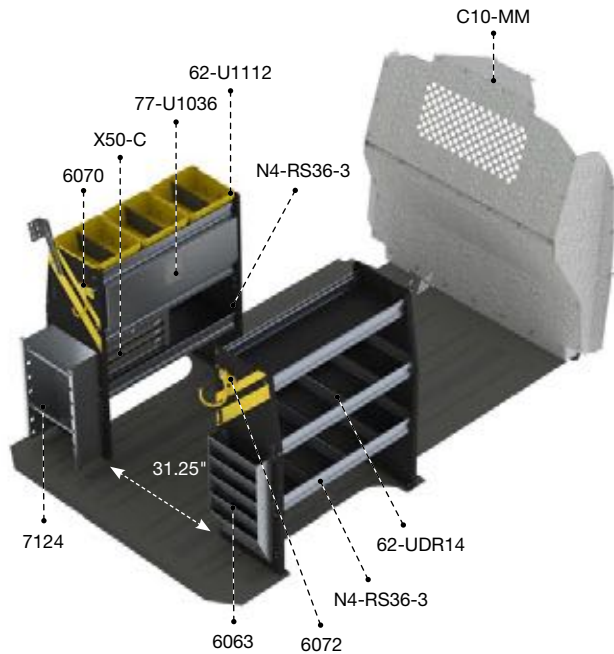
Steel	126", 135"	Standard
189 lbs	3.3 hrs	Yes

Qty	Part #	Description
1	6070	6" Hook, 3" opening, painted
1	C10-MM	Contoured steel partition with perforated window
1	N4-RS36-3	Steel shelving unit for low roof van 14" D x 36" W x 46.5" H
1	N4-RS72-3	Steel shelving unit for low roof van 14" D x 72" W x 46.5" H

The Deluxe package is designed to fit in a Metris with a single sliding door.



MERCEDES-BENZ METRIS



### MMR-11 ELECTRICAL

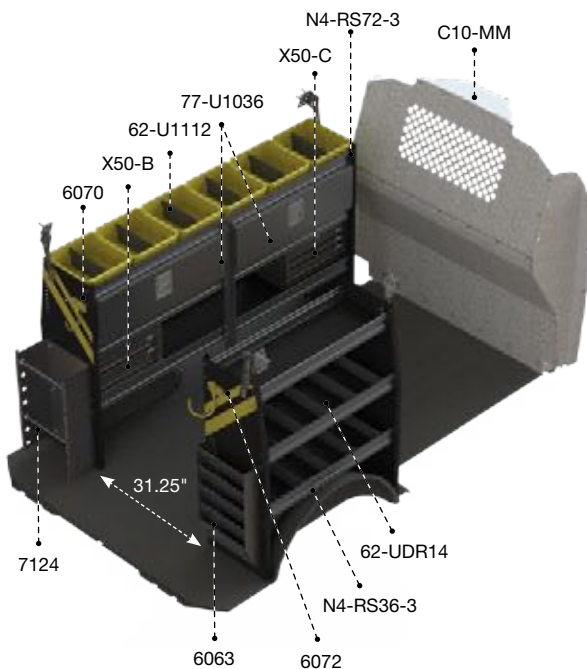
Steel	126", 135"	Standard
229 lbs	4.9 hrs	Yes

Qty	Part #	Description
1	6063	Paper holder, extra deep, 5 slots
1	6070	6" Hook, 3" opening, painted
1	6072	8" Swivel hook, 4" opening, painted
3	62-U1112	12" Deep plastic bin
2	62-UDR14	Set of 5 dividers for a 14" shelf
1	7124	Reel holder with two 5/8" diameter rods
1	77-U1036	Adjustable shelving door unit - 33" W - for 36" & 72" shelves
1	C10-MM	Contoured steel partition with perforated window
2	N4-RS36-3	Steel shelving unit for low roof van 14" D x 36" W x 46.5" H
1	X50-C	Compact 3-drawer unit

The Base package is designed to fit in a Metris with dual sliding doors.

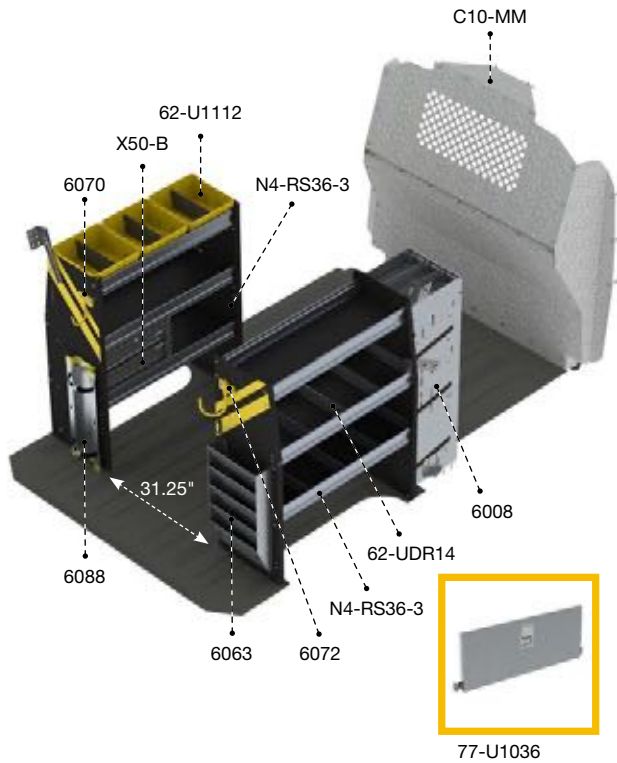
### MML-11 ELECTRICAL

Steel	126", 135"	Standard
293 lbs	5.8 hrs	Yes



Qty	Part #	Description
1	6063	Paper holder, extra deep, 5 slots
1	6070	6" Hook, 3" opening, painted
1	6072	8" Swivel hook, 4" opening, painted
6	62-U1112	12" Deep plastic bin
2	62-UDR14	Set of 5 dividers for a 14" shelf
1	7124	Reel holder with two 5/8" diameter rods
2	77-U1036	Adjustable shelving door unit - 33" W - for 36" & 72" shelves
1	C10-MM	Contoured steel partition with perforated window
1	N4-RS36-3	Steel shelving unit for low roof van 14" D x 36" W x 44.5" H
1	N4-RS72-3	Steel shelving unit for low roof van 14" D x 72" W x 44.5" H
1	X50-B	Compact 2-drawer unit
1	X50-C	Compact 3-drawer unit

The Deluxe package is designed to fit in a Metris with a single sliding door.

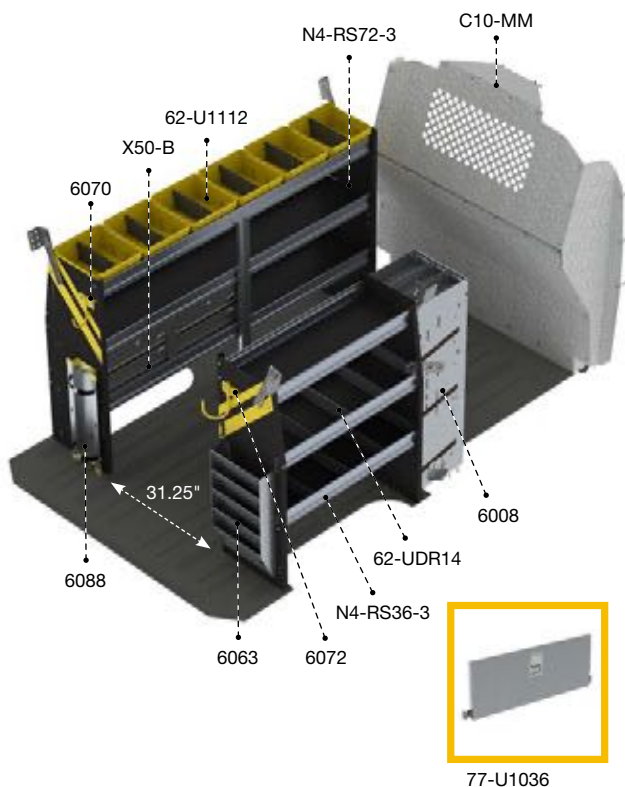


### MMR-12 HVAC

	Steel		126", 135"		Standard
	246 lbs		5.2 hrs		Yes

Qty	Part #	Description
1	6008	3 Tier refrigerant rack for large bottles
1	6063	Paper holder, extra deep, 5 slots
1	6070	6" Hook, 3" opening, painted
1	6072	8" Swivel hook, 4" opening, painted
1	6088	Large aluminum bottle holder, with two black nylon straps
3	62-U1112	12" deep plastic bin
2	62-UDR14	Set of 5 dividers for a 14" Shelf
1	77-U1036	Adjustable shelving door unit - 33" W - for 36" & 72" shelves
1	C10-MM	Contoured steel partition with perforated window
2	N4-RS36-3	Steel shelving unit for low roof van 14" D x 36" W x 44.5" H
1	X50-B	2 Drawer Cabinet

The Base package is designed to fit in a Metris with dual sliding doors.



### MML-12 HVAC

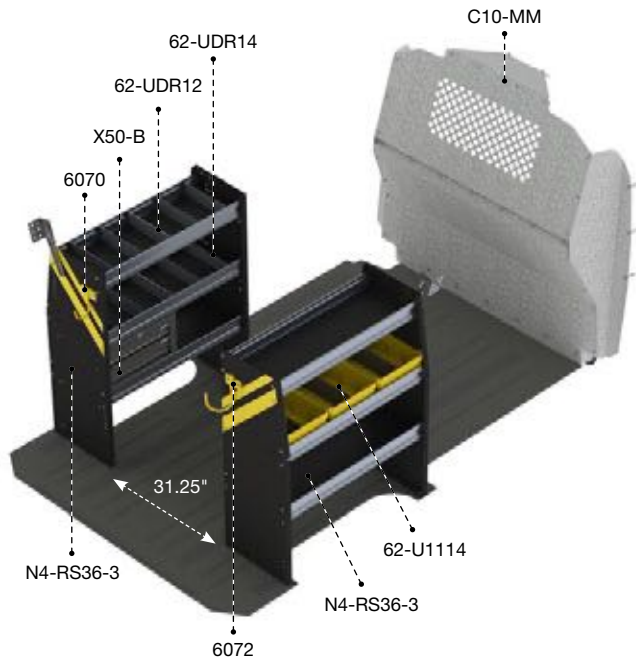
	Steel		126", 135"		Standard
	303 lbs		5.6 hrs		Yes

Qty	Part #	Description
1	6008	3 Tier refrigerant rack for large bottles
1	6063	Paper holder, extra deep, 5 slots
1	6070	6" Hook, 3" opening, painted
1	6072	8" Swivel hook, 4" opening, painted
1	6088	Large aluminum bottle holder, with two black nylon straps
6	62-U1112	12" deep plastic bin
2	62-UDR14	Set of 5 dividers for a 14" Shelf
1	77-U1036	Adjustable shelving door unit - 33" W - for 36" & 72" shelves
1	C10-MM	Contoured steel partition with perforated window
1	N4-RS36-3	Steel shelving unit for low roof van 14" D x 36" W x 44.5" H
1	N4-RS72-3	Steel shelving unit for low roof van 14" D x 72" W x 44.5" H
2	X50-B	2 Drawer Cabinet

The Deluxe package is designed to fit in a Metris with a single sliding door.



MERCEDES-BENZ METRIS

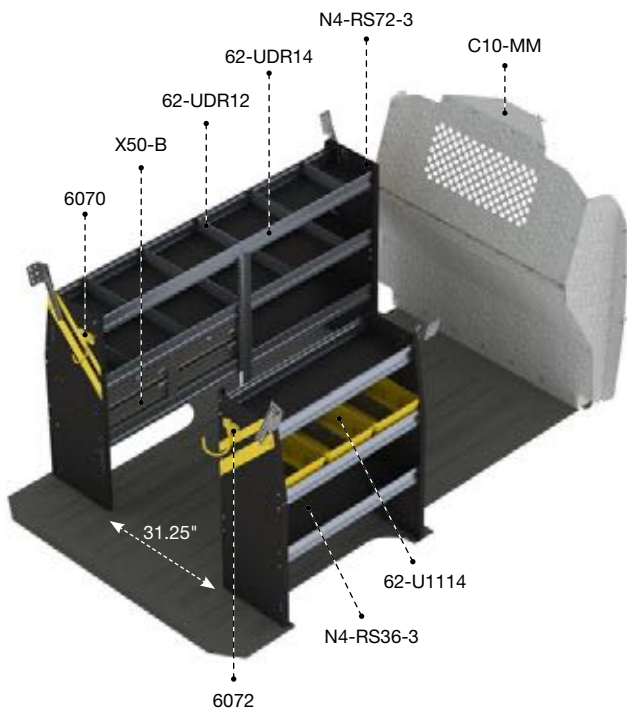


**MMR-16**  
SERVICE

Steel	126", 135"	Standard
203 lbs	3.7 hrs	Yes

Qty	Part #	Description
1	6070	6" Hook, 3" opening, painted
1	6072	8" Swivel hook, 4" opening, painted
3	62-U1114	14" Deep plastic bin
1	62-UDR12	Set of 5 dividers for a 12" shelf
1	62-UDR14	Set of 5 dividers for a 14" shelf
1	C10-MM	Contoured steel partition with perforated window
2	N4-RS36-3	Steel shelving unit for low roof van 14" D x 36" W x 44.5" H
1	X50-B	Compact 2-drawer unit

The Base package is designed to fit in a Metris with dual sliding doors.



**MML-16**  
SERVICE

Steel	126", 135"	Standard
254 lbs	4.1 hrs	Yes

Qty	Part #	Description
1	6070	6" Hook, 3" opening, painted
1	6072	8" Swivel hook, 4" opening, painted
3	62-U1114	14" Deep plastic bin
1	62-UDR12	Set of 5 dividers for a 12" shelf
1	62-UDR14	Set of 5 dividers for a 14" shelf
1	C10-MM	Contoured steel partition with perforated window
1	N4-RS36-3	Steel shelving unit for low roof van 14" D x 36" W x 44.5" H
1	N4-RS72-3	Steel shelving unit for low roof van 14" D x 72" W x 44.5" H
2	X50-B	Compact 2-drawer unit

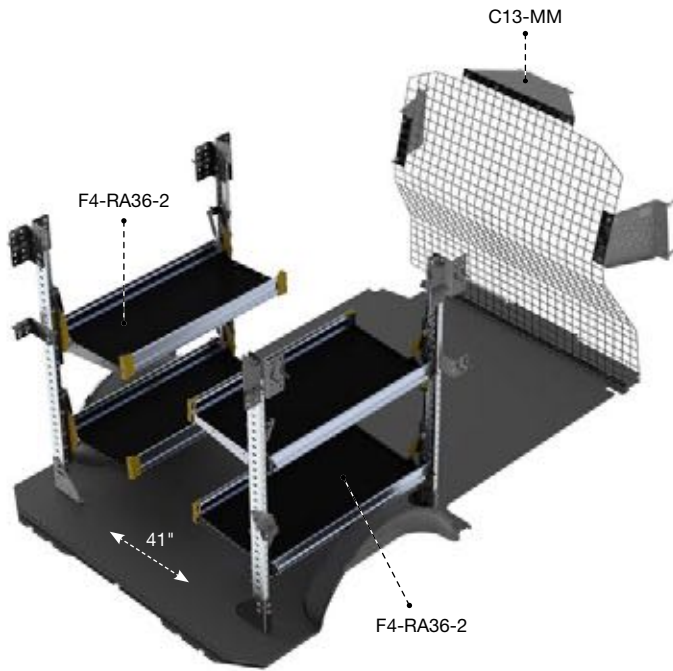
The Deluxe package is designed to fit in a Metris with a single sliding door.



## MERCEDES-BENZ METRIS



PACKAGES



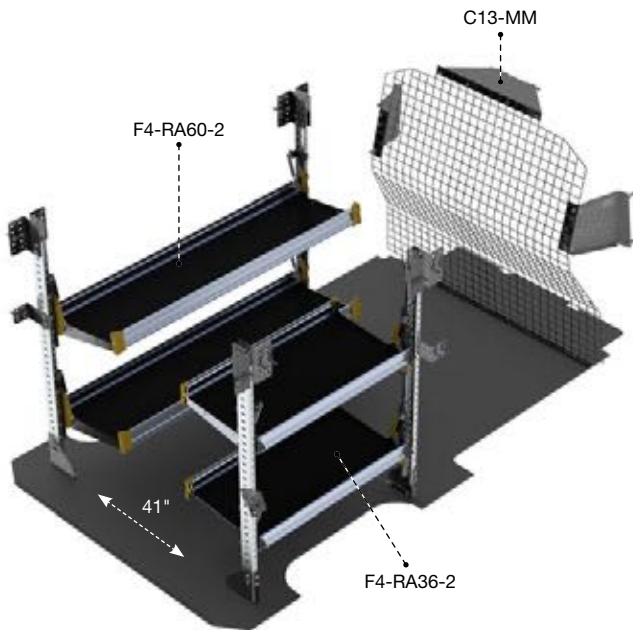
### MMR-19

#### DELIVERY

Aluminum	126", 135"	Standard
159 lbs	4.4 hrs	Yes

Qty	Part #	Description
1	<b>C13-MM</b>	Wire mesh partition
2	<b>F4-RA36-2</b>	Fold-away unit, 2 levels, 22" D x 36" W x 47" H

The Base package is designed to fit in a Metris with dual sliding doors.



### MML-19

#### DELIVERY

Aluminum	126", 135"	Standard
171 lbs	4.4 hrs	Yes

Qty	Part #	Description
1	<b>C13-MM</b>	Wire mesh partition
1	<b>F4-RA60-2</b>	Fold-away unit, 2 levels, 22" D x 60" W x 47" H
1	<b>F4-RA36-2</b>	Fold-away unit, 2 levels, 22" D x 36" W x 47" H

The Deluxe package is designed to fit in a Metris with a single sliding door.



# ALUMINUM **MML-27**

**MERCEDES-BENZ METRIS**

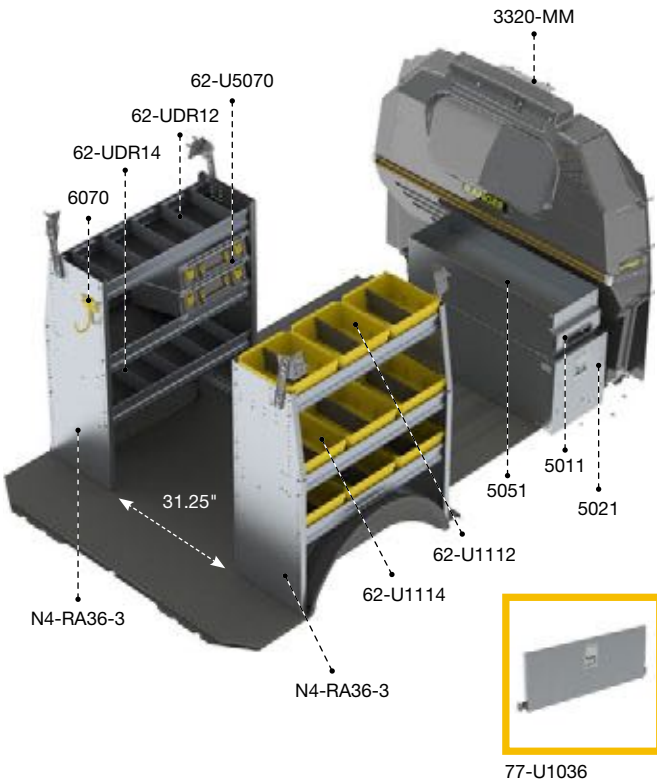


# PACKAGES

## MERCEDES-BENZ METRIS



PACKAGES

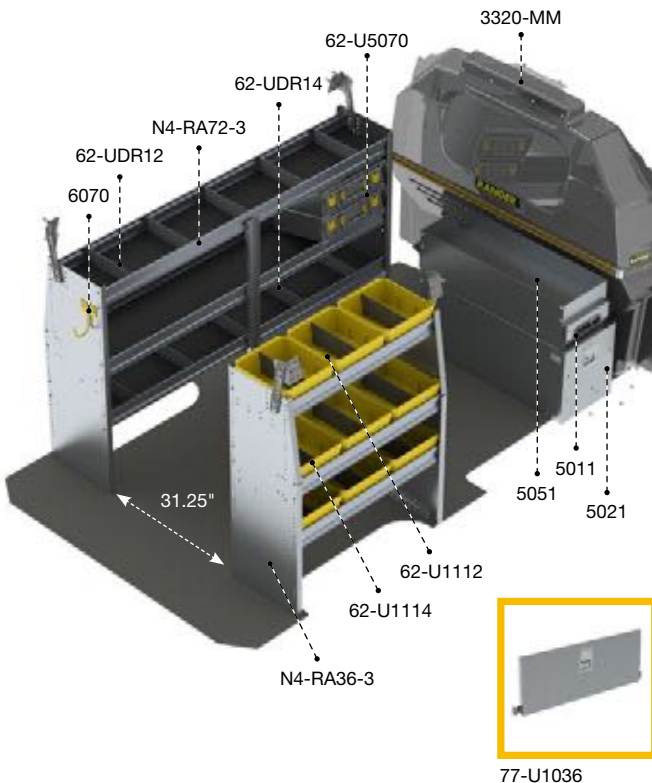


### MMR-27 ALUMINUM

Aluminum	126", 135"	Standard
252 lbs	6.2 hrs	Yes

Qty	Part #	Description
1	3320-MM	Max view contoured safety partition
1	5011	Partslider 36" D
1	5021	Tool drawer 36" D x 14" W x 16" H
1	5051	Top edge
2	62-U5070	Partskeeper carry case with holder
1	6070	6" Hook, 3" opening, painted
3	62-U1112	14" Deep plastic bin
6	62-U1114	14" Deep plastic bin
1	62-UDR12	Set of 5 dividers for a 12" shelf
1	62-UDR14	Set of 5 dividers for a 14" shelf
1	77-U1036	Adjustable shelving door unit - 33" W - for 36" & 72" shelves
2	N4-RA36-3	Aluminum shelving unit for low roof van 14" D x 36" W x 44.5" H

The Base package is designed to fit in a Metris with dual sliding doors.



### MML-27 ALUMINUM

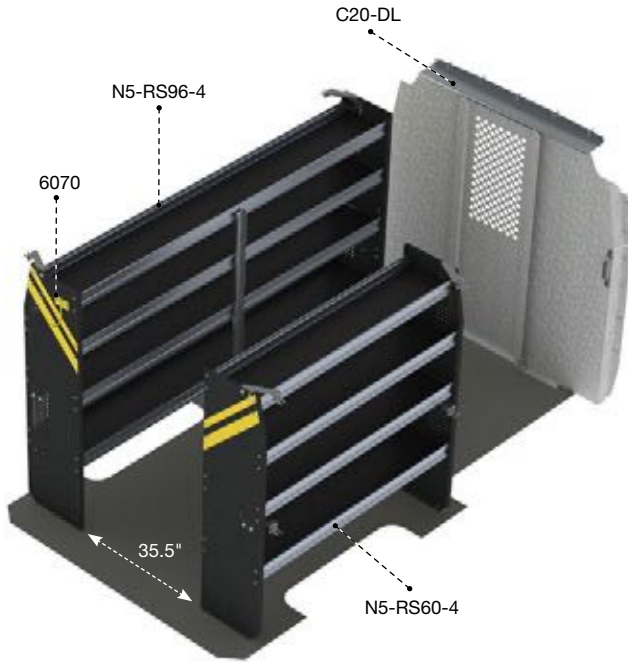
Aluminum	126", 135"	Standard
276 lbs	6.3 hrs	Yes

Qty	Part #	Description
1	3320-MM	Max view contoured safety partition
1	5011	Partslider 36" D
1	5021	Tool drawer 36" D x 14" W x 16" H
1	5051	Top edge
2	62-U5070	Partskeeper carry case with holder
1	6070	6" Hook, 3" opening, painted
3	62-U1112	12" Deep plastic bin
6	62-U1114	14" Deep plastic bin
1	62-UDR12	Set of 5 dividers for a 12" shelf
1	62-UDR14	Set of 5 dividers for a 14" shelf
1	77-U1036	Adjustable shelving door unit - 33" W - for 36" & 72" shelves
1	N4-RA36-3	Aluminum shelving unit for low roof van 14" D x 36" W x 44.5" H
1	N4-RA72-3	Aluminum shelving unit for low roof van 14" D x 72" W x 44.5" H

The Deluxe package is designed to fit in a Metris with a single sliding door.



MERCEDES-BENZ **SPRINTER**

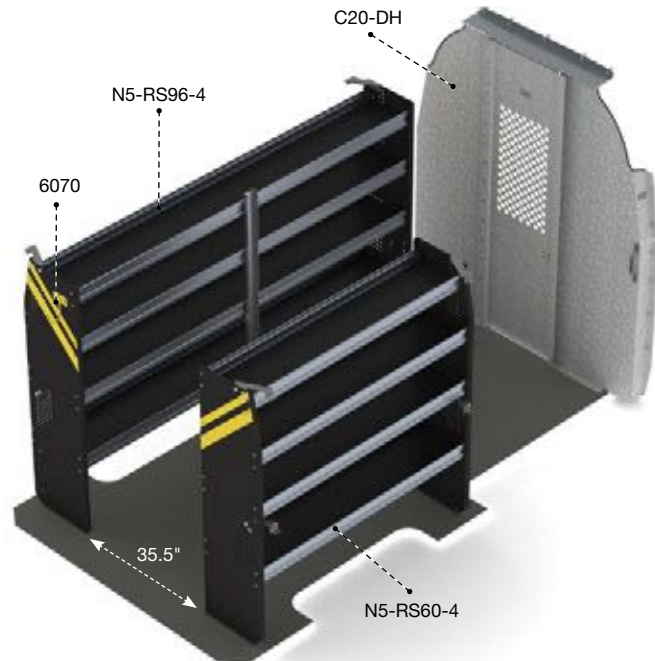


**DLS-10**  
CONTRACTOR

Steel	144"	Low Roof
291 lbs	3.8 hrs	Yes

Qty	Part #	Description
1	6070	6" Hook, 3" opening, painted
1	C20-DL	Straight partition with perforated window, no access
1	N5-RS60-4	Steel shelving unit for high roof van, 14" D x 60" W x 62" H
1	N5-RS96-4	Steel shelving unit for high roof van, 14" D x 96" W x 62" H

PACKAGES



**DHS-10**  
CONTRACTOR

Steel	144"	High Roof
300 lbs	3.8 hrs	Yes

Qty	Part #	Description
1	6070	6" Hook, 3" opening, painted
1	C20-DH	Straight partition with perforated window, no access
1	N5-RS60-4	Steel shelving unit for high roof van, 14" D x 60" W x 62" H
1	N5-RS96-4	Steel shelving unit for high roof van, 14" D x 96" W x 62" H



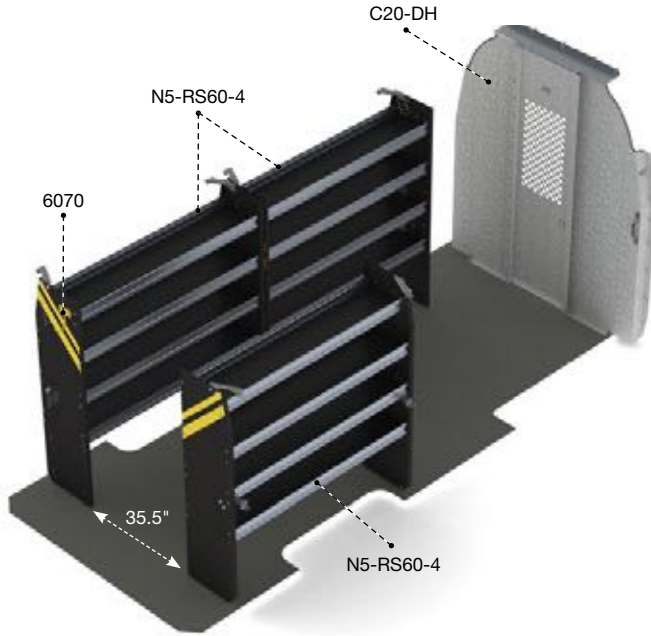
ELECTRICAL  
**DHS-11**

MERCEDES-BENZ **SPRINTER**





# MERCEDES-BENZ SPRINTER

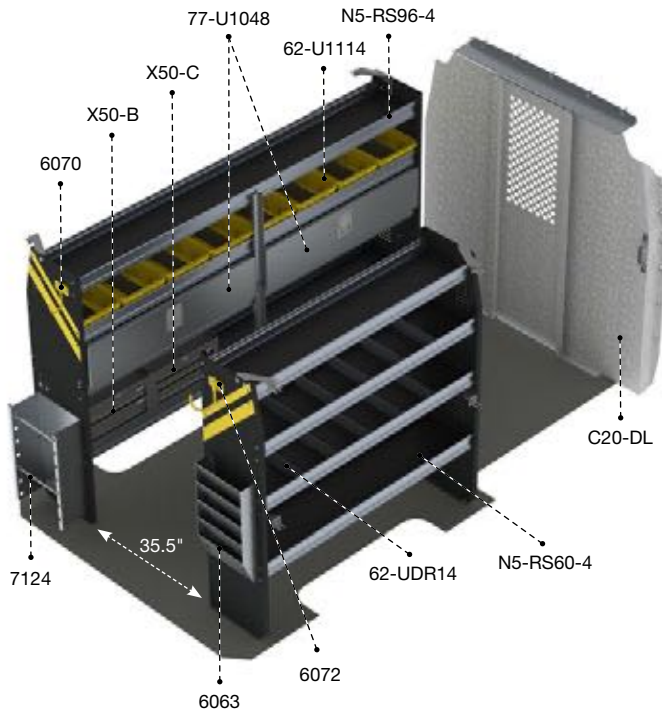


## DHL-10 CONTRACTOR

Steel	170", 170" Ext.	High Roof
355 lbs	4.8 hrs	Yes

Qty	Part #	Description
1	6070	6" Hook, 3" opening, painted
1	C20-DH	Straight partition with perforated window, no access
3	N5-RS60-4	Steel shelving unit for high roof van, 14" D x 60" W x 62" H

PACKAGES



## DLS-11 ELECTRICAL

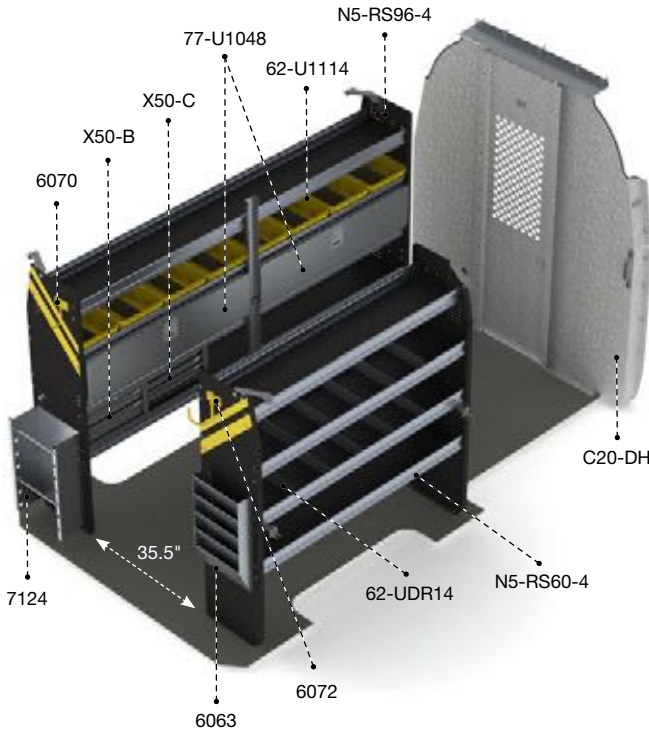
Steel	144"	Low Roof
404 lbs	6.3 hrs	Yes

Qty	Part #	Description
1	6063	Paper holder, extra deep, 5 slots
1	6070	6" Hook, 3" opening, painted
1	6072	8" Swivel hook, 4" opening, painted
8	62-U1114	14" Deep plastic bin
2	62-UDR14	Set of 5 dividers for a 14" shelf
1	7124	Reel holder with two 5/8" diameter rods
2	77-U1048	Adjustable shelving door unit - 45" W - for 48" & 96" shelves
1	C20-DL	Straight partition with perforated window, no access
1	N5-RS60-4	Steel shelving unit for high roof van, 14" D x 60" W x 62" H
1	N5-RS96-4	Steel shelving unit for high roof van, 14" D x 96" W x 62" H
1	X50-B	Compact 2-drawer unit
1	X50-C	Compact 3-drawer unit

## MERCEDES-BENZ SPRINTER



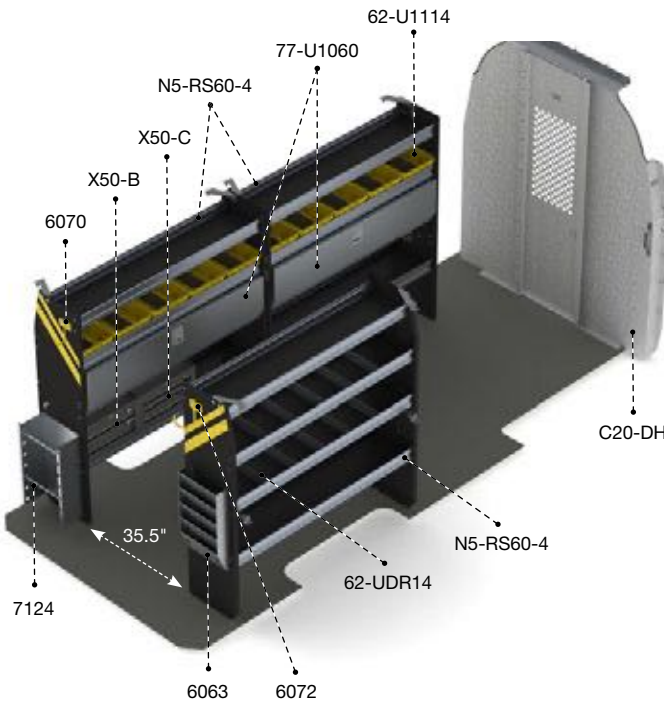
PACKAGES



### DHS-11 ELECTRICAL

	Steel		144"		High Roof
	413 lbs		6.3 hrs		Yes

Qty	Part #	Description
1	6063	Paper holder, extra deep, 5 slots
1	6070	6" Hook, 3" opening, painted
1	6072	8" Swivel hook, 4" opening, painted
8	62-U1114	14" Deep plastic bin
2	62-UDR14	Set of 5 dividers for a 14" shelf
1	7124	Reel holder with two 5/8" diameter rods
2	77-U1048	Adjustable shelving door unit - 45" W - for 48" & 96" shelves
1	C20-DH	Straight partition with perforated window, no access
1	N5-RS60-4	Steel shelving unit for high roof van, 14" D x 60" W x 62" H
1	N5-RS96-4	Steel shelving unit for high roof van, 14" D x 96" W x 62" H
1	X50-B	Compact 2-drawer unit
1	X50-C	Compact 3-drawer unit



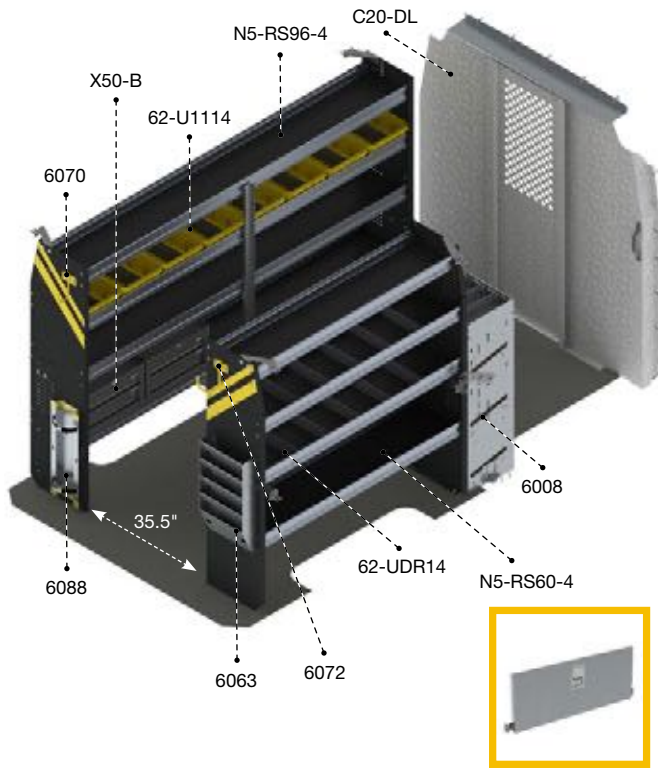
### DHL-11 ELECTRICAL

	Steel		170", 170" Ext.		High Roof
	475 lbs		7.3 hrs		Yes

Qty	Part #	Description
1	6063	Paper holder, extra deep, 5 slots
1	6070	6" Hook, 3" opening, painted
1	6072	8" Swivel hook, 4" opening, painted
10	62-U1114	14" Deep plastic bin
2	62-UDR14	Set of 5 dividers for a 14" shelf
1	7124	Reel holder with two 5/8" diameter rods
2	77-U1060	Adjustable shelving door unit - 57" W - for 60" shelves
1	C20-DH	Straight partition with perforated window, no access
3	N5-RS60-4	Steel shelving unit for high roof van, 14" D x 60" W x 62" H
1	X50-B	Compact 2-drawer unit
1	X50-C	Compact 3-drawer unit



MERCEDES-BENZ **SPRINTER**



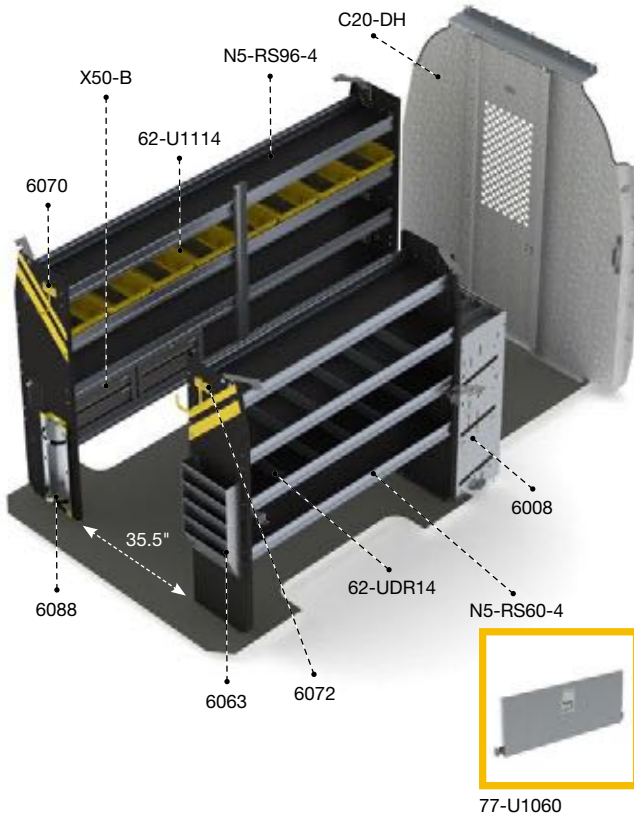
## DLS-12

HVAC

Steel	144"	Low Roof
414 lbs	6.1 hrs	Yes

Qty	Part #	Description
1	6008	3 Tier refrigerant rack for large bottles
1	6063	Paper holder, extra deep, 5 slots
1	6070	6" Hook, 3" opening, painted
1	6072	8" Swivel hook, 4" opening, painted
1	6088	Large aluminum bottle holder, with two black nylon straps
8	62-U1114	14" Deep plastic bin
2	62-UDR14	Set of 5 dividers for a 14" shelf
1	77-U1060	Adjustable shelving door unit - 57" W - for 60" shelves
1	C20-DL	Straight partition with perforated window, no access
1	N5-RS60-4	Steel shelving unit for high roof van, 14" D x 60" W x 62" H
1	N5-RS96-4	Steel shelving unit for high roof van, 14" D x 96" W x 62" H
2	X50-B	Compact 2-drawer unit

PACKAGES



## DHS-12

HVAC

Steel	144"	High Roof
423 lbs	6.1 hrs	Yes

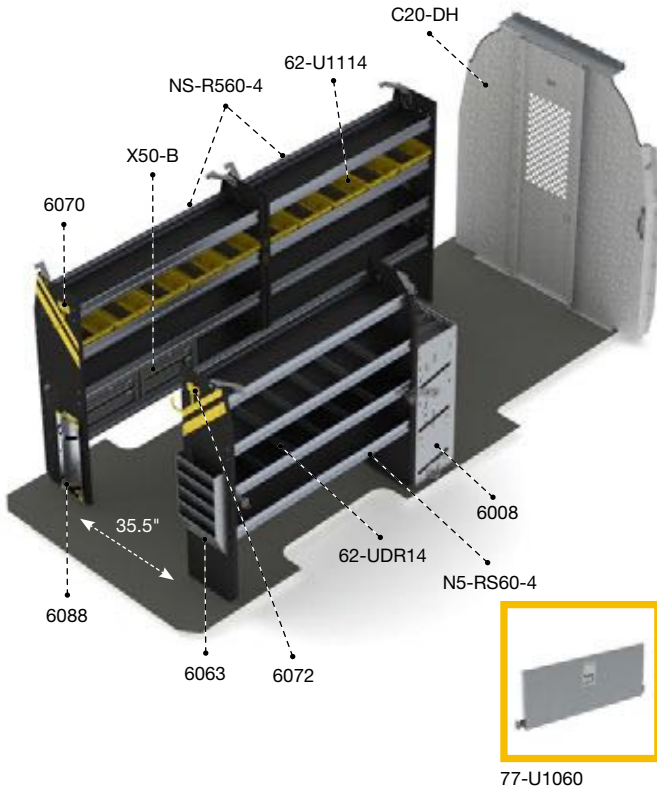
Qty	Part #	Description
1	6008	3 Tier refrigerant rack for large bottles
1	6063	Paper holder, extra deep, 5 slots
1	6070	6" Hook, 3" opening, painted
1	6072	8" Swivel hook, 4" opening, painted
1	6088	Large aluminum bottle holder, with two black nylon straps
8	62-U1114	14" Deep plastic bin
2	62-UDR14	Set of 5 dividers for a 14" shelf
1	77-U1060	Adjustable shelving door unit - 57" W - for 60" shelves
1	C20-DH	Straight partition with perforated window, no access
1	N5-RS60-4	Steel shelving unit for high roof van, 14" D x 60" W x 62" H
1	N5-RS96-4	Steel shelving unit for high roof van, 14" D x 96" W x 62" H
2	X50-B	Compact 2-drawer unit



## MERCEDES-BENZ SPRINTER



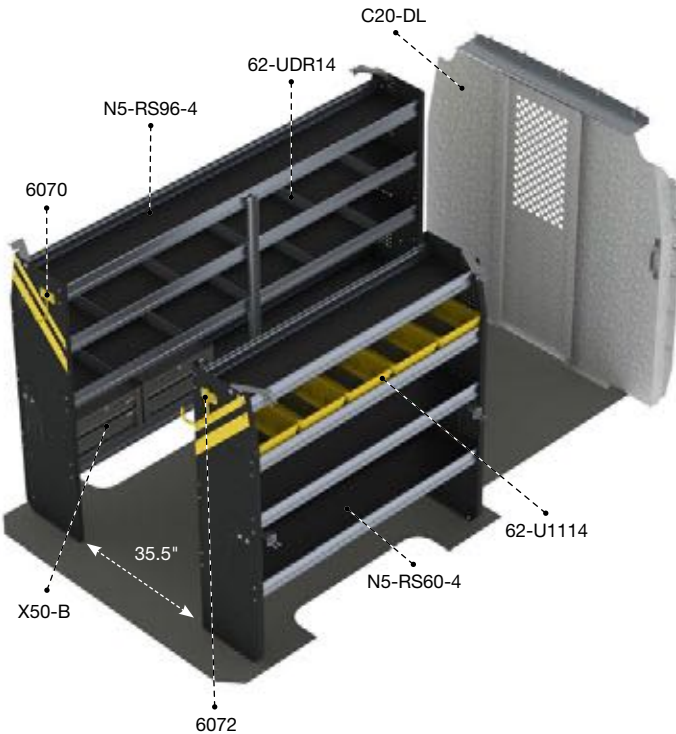
PACKAGES



### DHL-12 HVAC

Steel	170", 170" Ext.	High Roof
482 lbs	7.1 hrs	Yes

Qty	Part #	Description
1	6008	3 Tier refrigerant rack for large bottles
1	6063	Paper holder, extra deep, 5 slots
1	6070	6" Hook, 3" opening, painted
1	6072	8" Swivel hook, 4" opening, painted
1	6088	Large aluminum bottle holder, with two black nylon straps
10	62-U1114	14" Deep plastic bin
2	62-UDR14	Set of 5 dividers for a 14" shelf
1	77-U1060	Adjustable shelving door unit - 57" W - for 60" shelves
1	C20-DH	Straight partition with perforated window, no access
3	N5-RS60-4	Steel shelving unit for high roof van, 14" D x 60" W x 62" H
2	X50-B	Compact 2-drawer unit



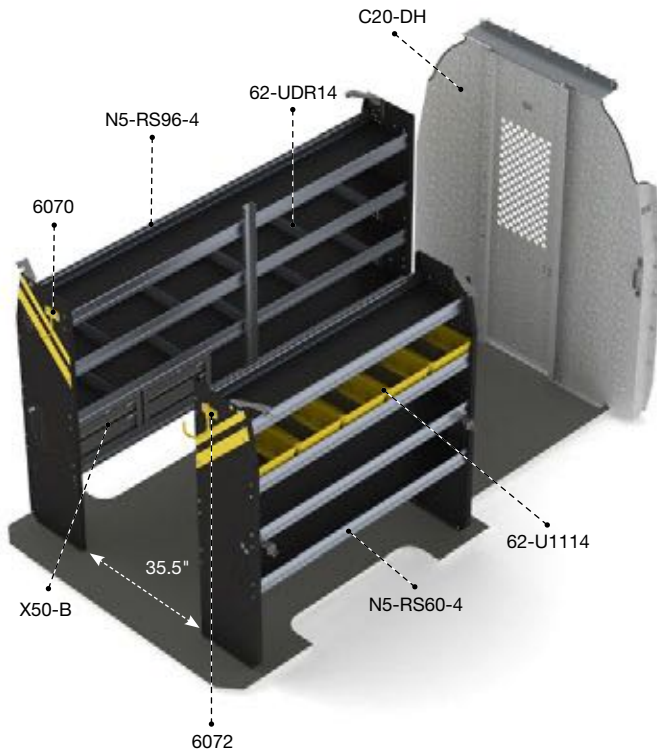
### DLS-16 SERVICE

Steel	144"	Low Roof
361 lbs	4.6 hrs	Yes

Qty	Part #	Description
1	6070	6" Hook, 3" opening, painted
1	6072	8" Swivel hook, 4" opening, painted
5	62-U1114	14" Deep plastic bin
2	62-UDR14	Set of 5 dividers for a 14" shelf
1	C20-DL	Straight partition with perforated window, no access
1	N5-RS60-4	Steel shelving unit for high roof van, 14" D x 60" W x 62" H
1	N5-RS96-4	Steel shelving unit for high roof van, 14" D x 96" W x 62" H
2	X50-B	Compact 2-drawer unit



MERCEDES-BENZ **SPRINTER**

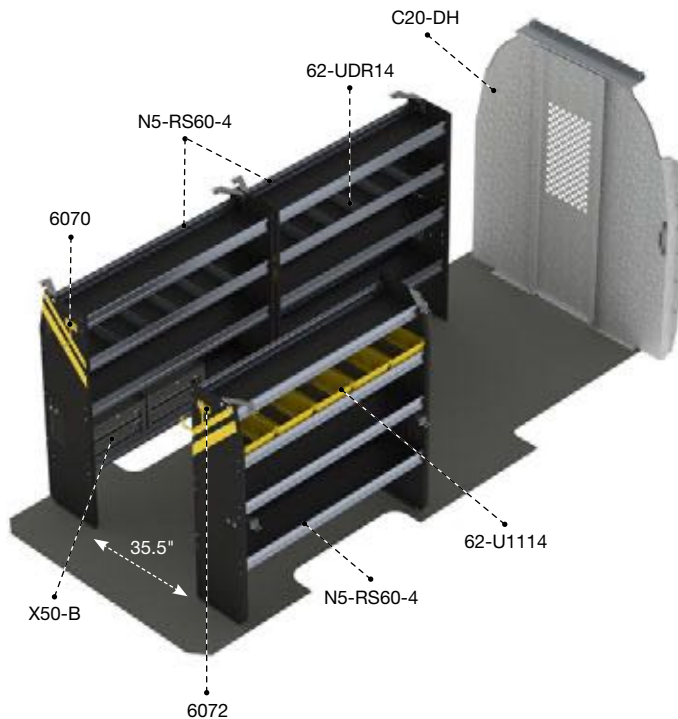


**DHS-16**  
SERVICE

Steel	144"	High Roof
370 lbs	4.6 hrs	Yes

Qty	Part #	Description
1	6070	6" Hook, 3" opening, painted
1	6072	8" Swivel hook, 4" opening, painted
5	62-U1114	14" Deep plastic bin
2	62-UDR14	Set of 5 dividers for a 14" shelf
1	C20-DH	Straight partition with perforated window, no access
1	N5-RS60-4	Steel shelving unit for high roof van, 14" D x 60" W x 62" H
1	N5-RS96-4	Steel shelving unit for high roof van, 14" D x 96" W x 62" H
2	X50-B	Compact 2-drawer unit

PACKAGES



**DHL-16**  
SERVICE

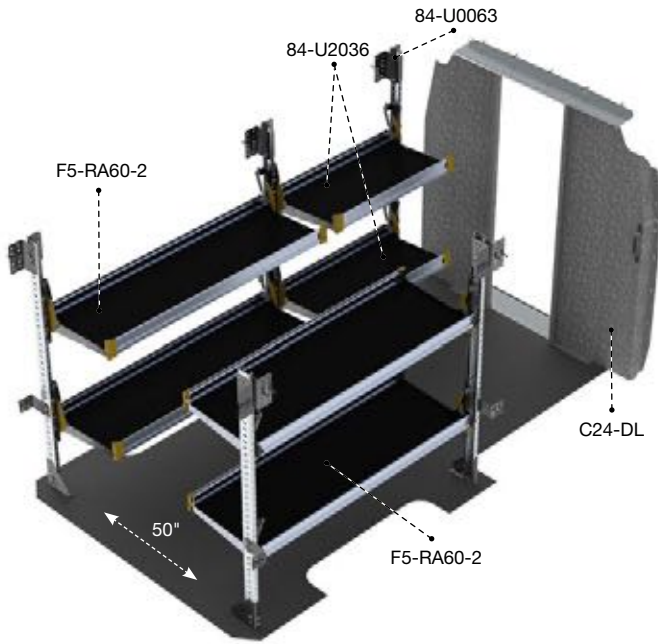
Steel	170", 170" Ext.	High Roof
425 lbs	5.6 hrs	Yes

Qty	Part #	Description
1	6070	6" Hook, 3" opening, painted
1	6072	8" Swivel hook, 4" opening, painted
5	62-U1114	14" Deep plastic bin
2	62-UDR14	Set of 5 dividers for a 14" shelf
1	C20-DH	Straight partition with perforated window, no access
3	N5-RS60-4	Steel shelving unit for high roof van, 14" D x 60" W x 62" H
2	X50-B	Compact 2-drawer unit

## MERCEDES-BENZ **SPRINTER**



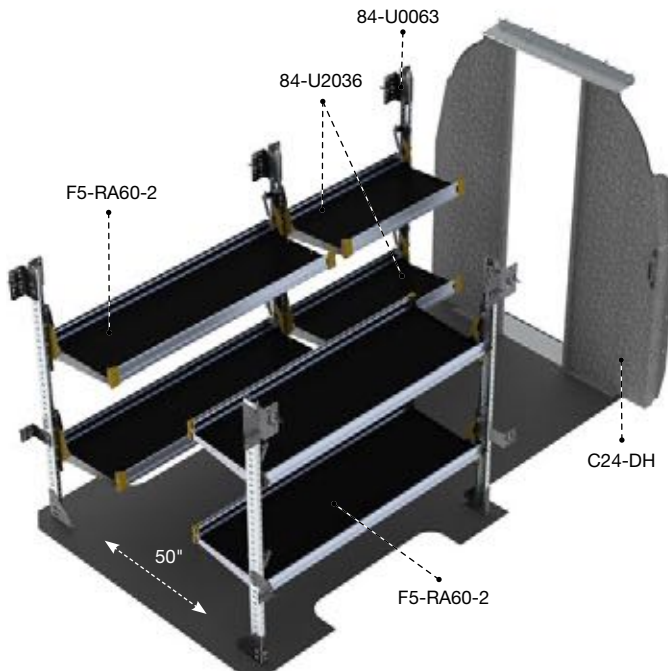
PACKAGES



### **DLS-19** DELIVERY

Aluminum	144"	Low Roof
274 lbs	5.3 hrs	Yes

Qty	Part #	Description
1	<b>84-U0063</b>	Post assembly for fold-away shelving, 63"
2	<b>84-U2036</b>	Fold-away shelf tray, 20" D x 36" W
1	<b>C24-DL</b>	Straight walk through steel partition
2	<b>F5-RA60-2</b>	Fold-away unit, 2 levels, 25" D x 60" W x 63" H



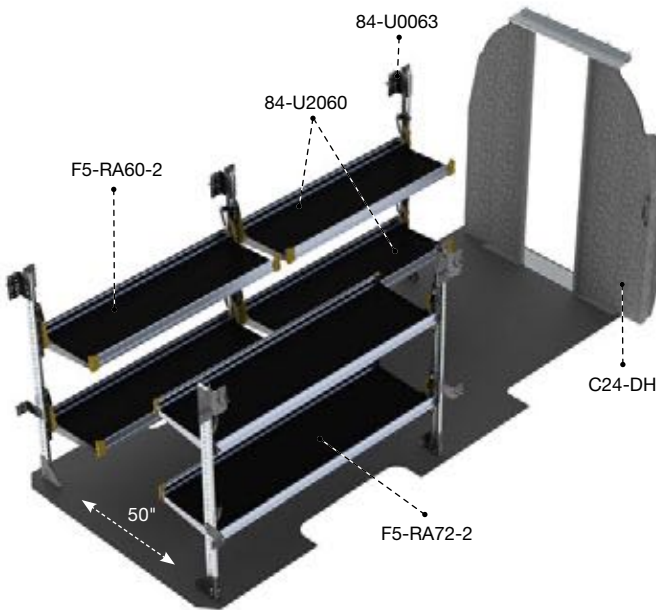
### **DHS-19** DELIVERY

Aluminum	144"	High Roof
277 lbs	5.3 hrs	Yes

Qty	Part #	Description
1	<b>84-U0063</b>	Post assembly for fold-away shelving, 63"
2	<b>84-U2036</b>	Fold-away shelf tray, 20" D x 36" W
1	<b>C24-DH</b>	Straight walk through steel partition
2	<b>F5-RA60-2</b>	Fold-away unit, 2 levels, 25" D x 60" W x 63" H



MERCEDES-BENZ **SPRINTER**

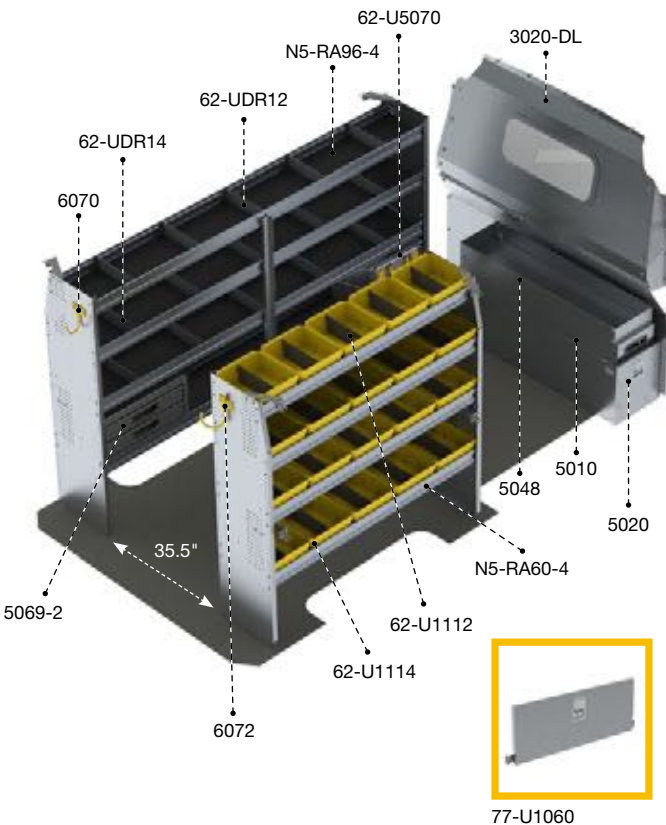


**DHL-19**  
DELIVERY

Aluminum	170", 170" Ext.	High Roof
299	5.3 hrs	Yes

Qty	Part #	Description
1	<b>C24-DH</b>	Straight walk through steel partition
1	<b>F5-RA60-2</b>	Fold-away unit, 2 levels, 60" W x 63" H
1	<b>84-U0063</b>	Post assembly for fold-away shelving, 63"
2	<b>84-U2060</b>	Fold-away shelf tray, 20" D x 60" W
1	<b>F5-RA72-2</b>	Fold-away unit, 2 levels, 72" W x 63" H

PACKAGES



**DLS-27**  
ALUMINUM

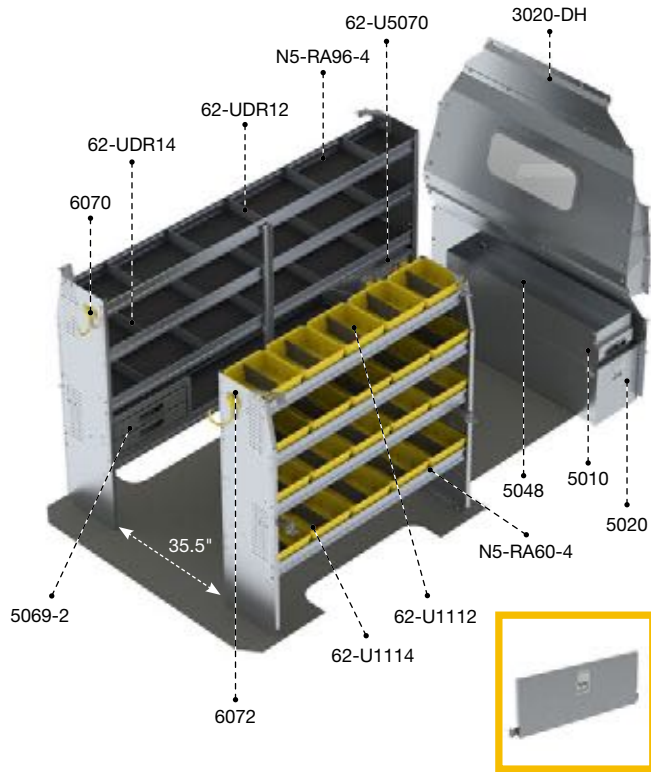
Aluminum	144"	Low Roof
465 lbs	7.5 hrs	Yes

Qty	Part #	Description
1	<b>3020-DL</b>	Countoured safety partition with glass window
1	<b>5010</b>	Partslider drawer
1	<b>5020</b>	Tool drawer 48" D x 14" W x 16" H
1	<b>5048</b>	Top edge
1	<b>5069-2</b>	2 Drawer cabinet
2	<b>62-U5070</b>	Partskeeper carry case with holder
1	<b>6070</b>	6" Hook, 3" opening, painted
1	<b>6072</b>	8" Swivel hook, 4" opening, painted
5	<b>62-U1112</b>	12" Deep plastic bin
15	<b>62-U1114</b>	14" Deep plastic bin
1	<b>62-UDR12</b>	Set of 5 dividers for a 12" shelf
2	<b>62-UDR14</b>	Set of 5 dividers for a 14" shelf
1	<b>77-U1060</b>	Adjustable shelving door unit - 57" W - for 60" shelves
1	<b>N5-RA60-4</b>	Aluminum shelving unit high roof van, 60", 14"D x 60" W x 62" H
1	<b>N5-RA96-4</b>	Aluminum shelving unit high roof van, 96", 14"D x 96" W x 62" H

## MERCEDES-BENZ SPRINTER



PACKAGES



77-U1060

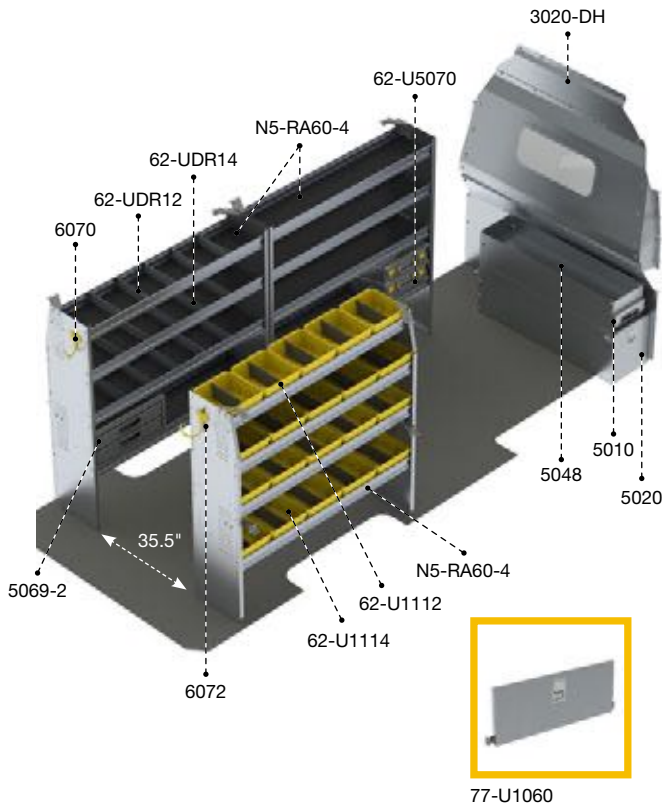
### DHS-27 ALUMINUM

Aluminum	144"	High Roof
467 lbs	7.5 hrs	Yes

Qty	Part #	Description
1	3020-DH	Countoured safety partition with glass window
1	5010	Partslider drawer
1	5020	Tool drawer 48" D x 14" W x 16" H
1	5048	Top edge
1	5069-2	2 Drawer cabinet
2	62-U5070	Partskeeper carry case with holder
1	6070	6" Hook, 3" opening, painted
1	6072	8" Swivel hook, 4" opening, painted
5	62-U1112	12" Deep plastic bin
15	62-U1114	14" Deep plastic bin
1	62-UDR12	Set of 5 dividers for a 12" shelf
2	62-UDR14	Set of 5 dividers for a 14" shelf
1	77-U1060	Adjustable shelving door unit - 57" W - for 60" shelves
1	N5-RA60-4	Aluminum shelving unit high roof van, 60", 14" D x 60" W x 62" H
1	N5-RA96-4	Aluminum shelving unit high roof van, 96", 14" D x 96" W x 62" H

### DHL-27 ALUMINUM

Aluminum	170", 170" Ext.	High Roof
508 lbs	8.5 hrs	Yes



77-U1060

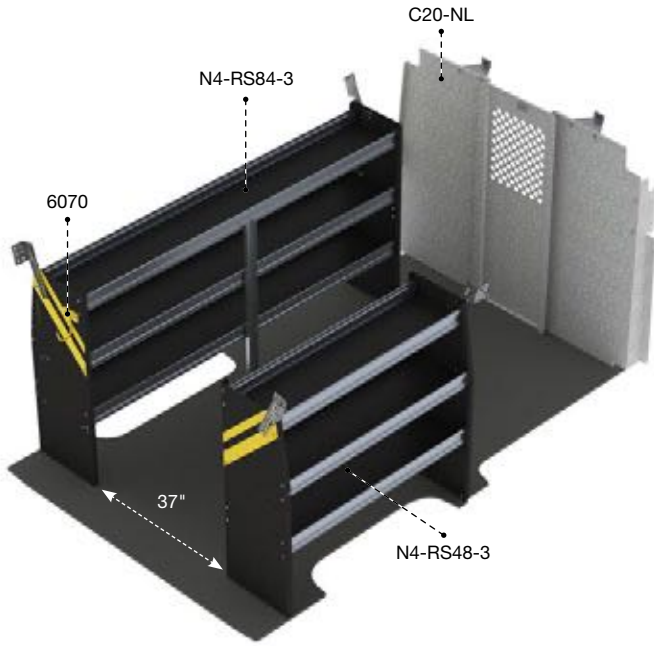
Qty	Part #	Description
1	3020-DH	Countoured safety partition with glass window
1	5010	Partslider 48" D
1	5020	Tool drawer 48" D x 14" W x 16" H
1	5048	Top edge
1	5069-2	2 Drawer cabinet
2	62-U5070	Partskeeper carry case with holder
1	6070	6" Hook, 3" opening, painted
1	6072	8" Swivel hook, 4" opening, painted
5	62-U1112	12" Deep plastic bin
15	62-U1114	14" Deep plastic bin
1	62-UDR12	Set of 5 dividers for a 12" shelf
2	62-UDR14	Set of 5 dividers for a 14" shelf
1	77-U1060	Adjustable shelving door unit - 57" W - for 60" shelves
3	N5-RA60-4	Aluminum shelving unit high roof van, 60", 14" D x 60" W x 62" H



# ALUMINUM **DHS-27**

MERCEDES-BENZ **SPRINTER**

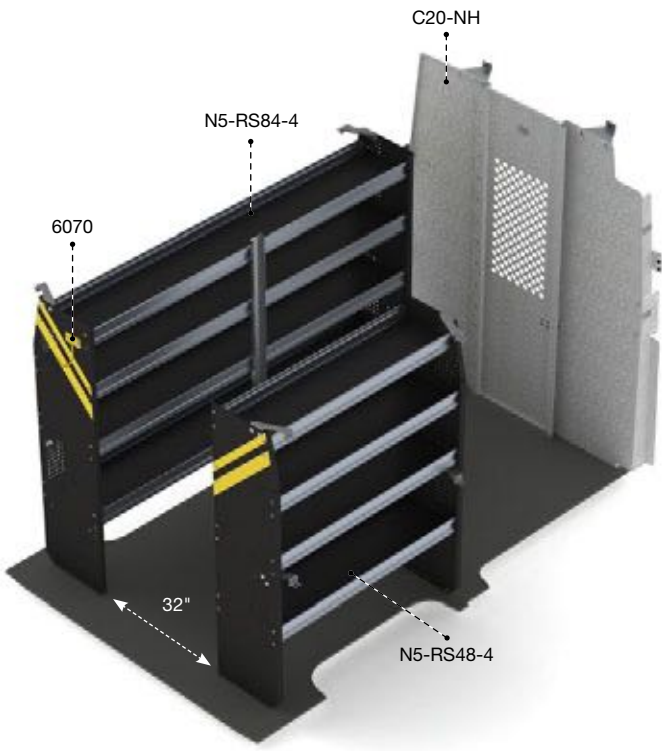




### NVL-10 CONTRACTOR

Steel	146"	Low Roof
200 lbs	3.3 hrs	Yes

Qty	Part #	Description
1	6070	6" Hook, 3" opening, painted
1	C20-NL	Straight steel partition with perforated window, no access
1	N4-RS48-3	Steel Shelving Unit for low roof van, 14" D x 48" W x 44.5" H
1	N4-RS84-3	Steel Shelving Unit for low roof van, 14" D x 84" W x 44.5" H



### NVH-10 CONTRACTOR

Steel	146"	High Roof
271 lbs	4.3 hrs	Yes

Qty	Part #	Description
1	6070	6" Hook, 3" opening, painted
1	C20-NH	Straight steel partition with perforated window, no access
1	N5-RS48-4	Steel shelving unit for high roof van, 14" D x 48" W x 62" H
1	N5-RS84-4	Steel shelving unit for high roof van, 14" D x 84" W x 62" H

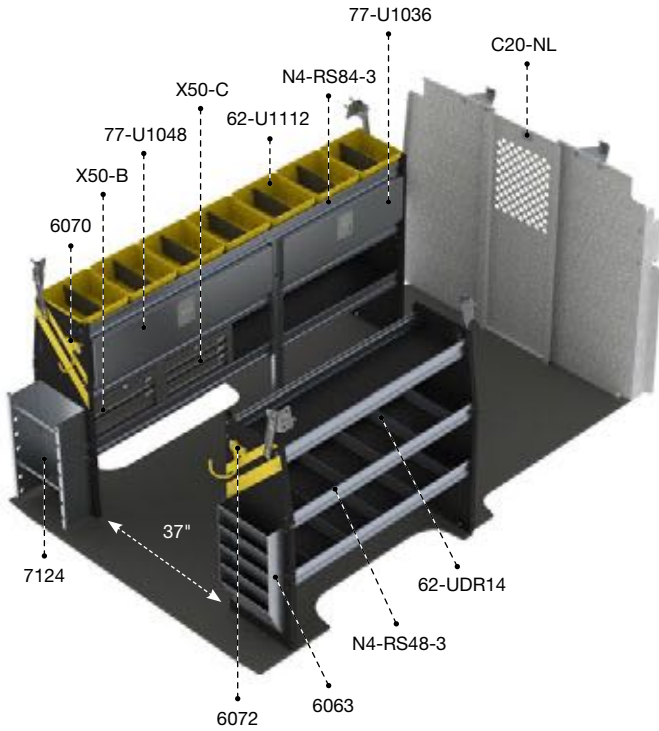


# CONTRACTOR **NVH-10**

NISSAN **NV**



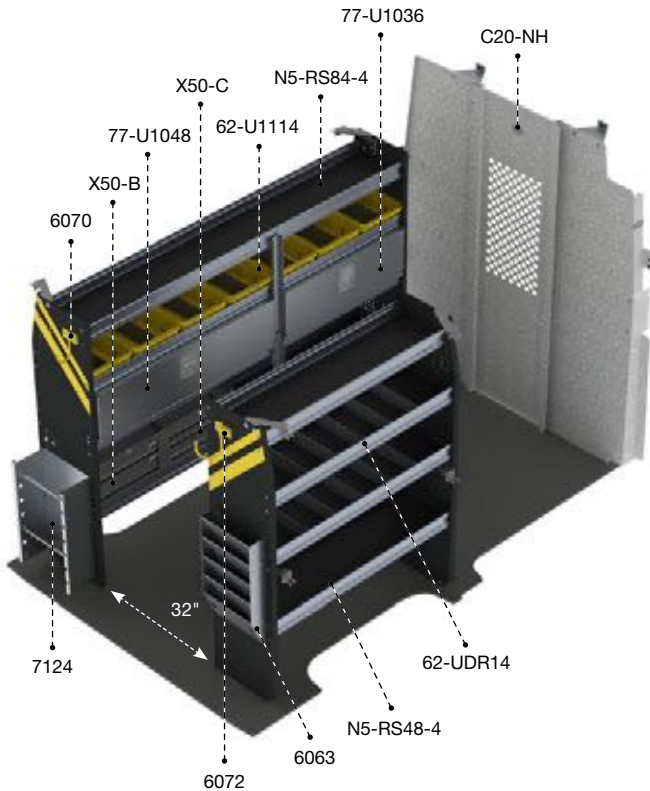




### NVL-11 ELECTRICAL

Steel	146"	Low Roof
308 lbs	5.8 hrs	Yes

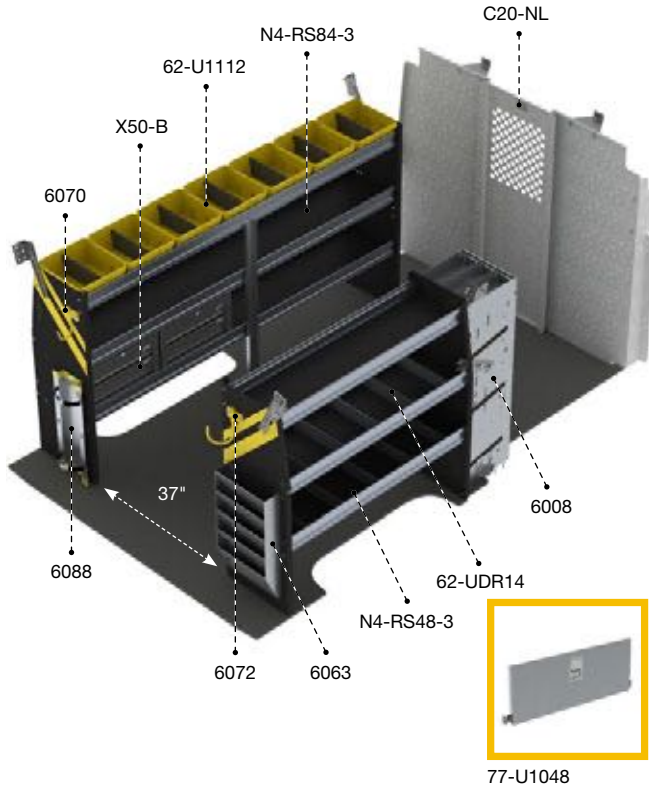
Qty	Part #	Description
1	6063	Paper holder, extra deep, 5 slots
1	6070	6" Hook, 3" opening, painted
1	6072	8" Swivel hook, 4" opening, painted
1	7124	Reel holder with two 5/8" diameter rods
7	62-U1112	12" Deep plastic bin
2	62-UDR14	Set of 5 dividers for a 14" shelf
1	77-U1036	Adjustable shelving door unit - 33" W - for 36" and 72" shelves
1	77-U1048	Adjustable shelving door unit - 45" W - for 48" and 96" shelves
1	C20-NL	Straight steel partition with perforated window, no access
1	N4-RS48-3	Steel shelving unit for low roof van, 14" D x 48" W x 44.5" H
1	N4-RS84-3	Steel shelving unit for low roof van, 14" D x 84" W x 44.5" H
1	X50-B	Compact 2-drawer unit
1	X50-C	Compact 3-drawer unit



### NVH-11 ELECTRICAL

Steel	146"	High Roof
380 lbs	6.8 hrs	Yes

Qty	Part #	Description
1	6063	Paper holder, extra deep, 5 slots
1	6070	6" Hook, 3" opening, painted
1	6072	8" Swivel hook, 4" opening, painted
1	7124	Reel holder with two 5/8" diameter rods
7	62-U1114	14" Deep plastic bin
2	62-UDR14	Set of 5 dividers for a 14" shelf
1	77-U1036	Adjustable shelving door unit - 33" W - for 36" and 72" shelves
1	77-U1048	Adjustable shelving door unit - 45" W - for 48" and 96" shelves
1	C20-NH	Straight steel partition with perforated window, no access
1	N5-RS48-4	Steel shelving unit for high roof van, 14" D x 48" W x 62" H
1	N5-RS84-4	Steel shelving unit for high roof van, 14" D x 84" W x 62" H
1	X50-B	Compact 2-drawer unit
1	X50-C	Compact 3-drawer unit



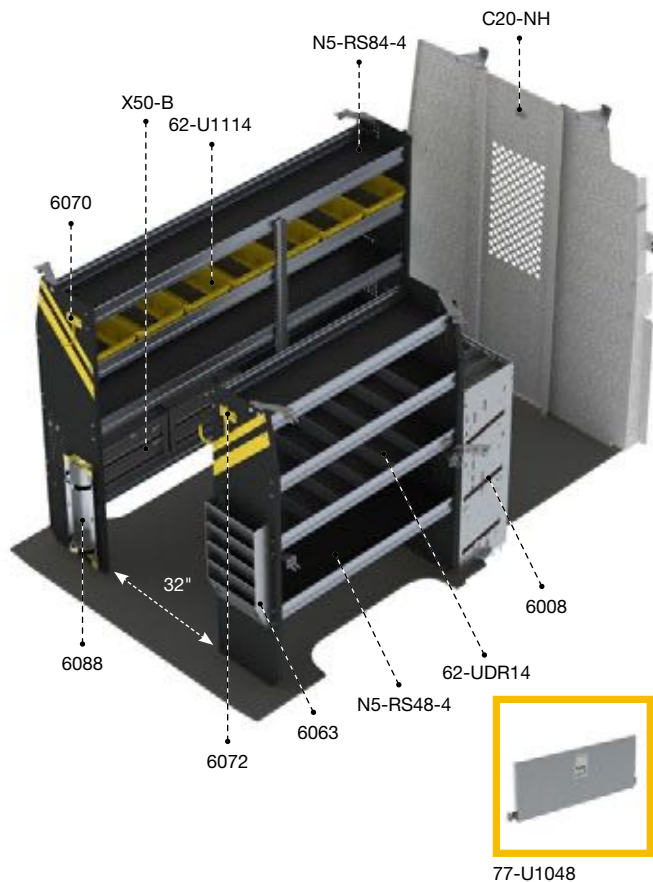
## NVL-12

### HVAC

Steel	146"	Low Roof
317 lbs	5.6 hrs	Yes

Qty	Part #	Description
1	6008	3 Tier refrigerant rack for large bottles
1	6063	Paper holder, extra deep, 5 slots
1	6070	6" Hook, 3" opening, painted
1	6072	8" Swivel hook, 4" opening, painted
1	6088	Large aluminum bottle holder, with two black nylon straps
7	62-U1112	12" Deep plastic bin
2	62-UDR14	Set of 5 dividers for a 14" shelf
1	77-U1048	Adjustable shelving door unit - 45" W - for 48" & 96" shelves
1	C20-NL	Straight steel partition with perforated window, no access
1	N4-RS48-3	Steel shelving unit for low roof van, 14" D x 48" W x 44.5" H
1	N4-RS84-3	Steel shelving unit for low roof van, 14" D x 84" W x 44.5" H
2	X50-B	Compact 2-drawer unit

PACKAGES

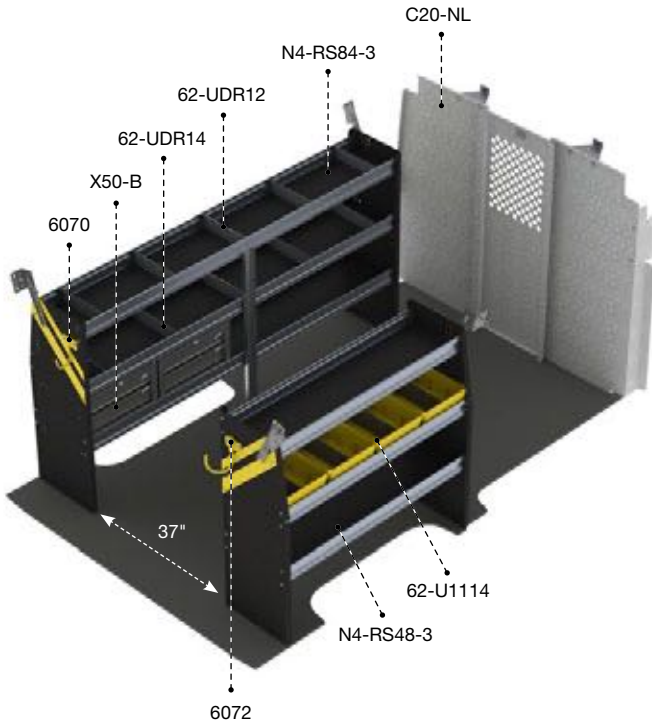


## NVH-12

### HVAC

Steel	146"	High Roof
390 lbs	6.6 hrs	Yes

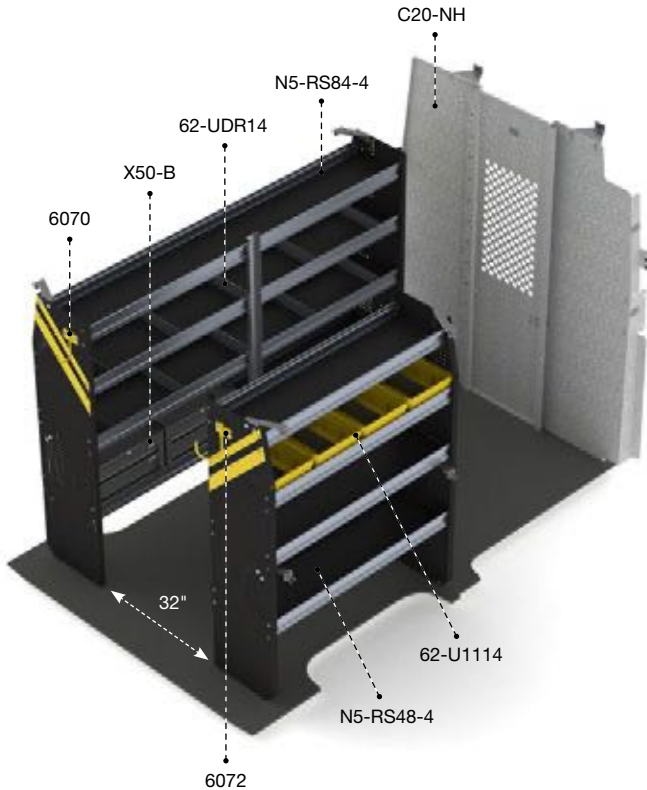
Qty	Part #	Description
1	6008	3 Tier refrigerant rack for large bottles
1	6063	Paper holder, extra deep, 5 slots
1	6070	6" Hook, 3" opening, painted
1	6072	8" Swivel hook, 4" opening, painted
1	6088	Large aluminum bottle holder, with two black nylon straps
7	62-U1114	14" Deep plastic bin
2	62-UDR14	Set of 5 dividers for a 14" shelf
1	77-U1048	Adjustable shelving door unit - 45" W - for 48" & 96" shelves
1	C20-NH	Straight steel partition with perforated window, no access
1	N5-RS48-4	Steel shelving unit for low roof van, 14" D x 48" W x 62" H
1	N5-RS84-4	Steel shelving unit for low roof van, 14" D x 84" W x 62" H
2	X50-B	Compact 2-drawer unit



### NVL-16 SERVICE

Steel	146"	Low Roof
267 lbs	4.1 hrs	Yes

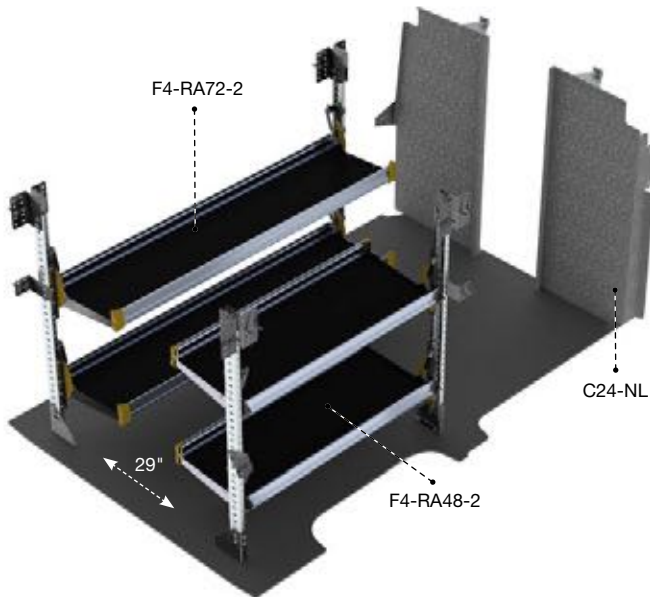
Qty	Part #	Description
1	6070	6" Hook, 3" opening, painted
1	6072	8" Swivel hook, 4" opening, painted
4	62-U1114	14" Deep plastic bin
1	62-UDR12	Set of 5 dividers for a 12" shelf
1	62-UDR14	Set of 5 dividers for a 14" shelf
1	C20-NL	Straight steel partition with perforated window, no access
1	N4-RS48-3	Steel shelving unit for low roof van, 14" D x 48" W x 44.5" H
1	N4-RS84-3	Steel shelving unit for low roof van, 14" D x 84" W x 44.5" H
2	X50-B	Compact 2-drawer unit



### NVH-16 SERVICE

Steel	146"	High Roof
339 lbs	5.1 hrs	Yes

Qty	Part #	Description
1	6070	6" Hook, 3" opening, painted
1	6072	8" Swivel hook, 4" opening, painted
4	62-U1114	14" Deep plastic bin
2	62-UDR14	Set of 5 dividers for a 14" shelf
1	C20-NH	Straight steel partition with perforated window, no access
1	N5-RS48-4	Steel shelving unit for high roof van, 14" D x 48" W x 62" H
1	N5-RS84-4	Steel shelving unit for high roof van, 14" D x 84" W x 62" H
2	X50-B	Compact 2-drawer unit

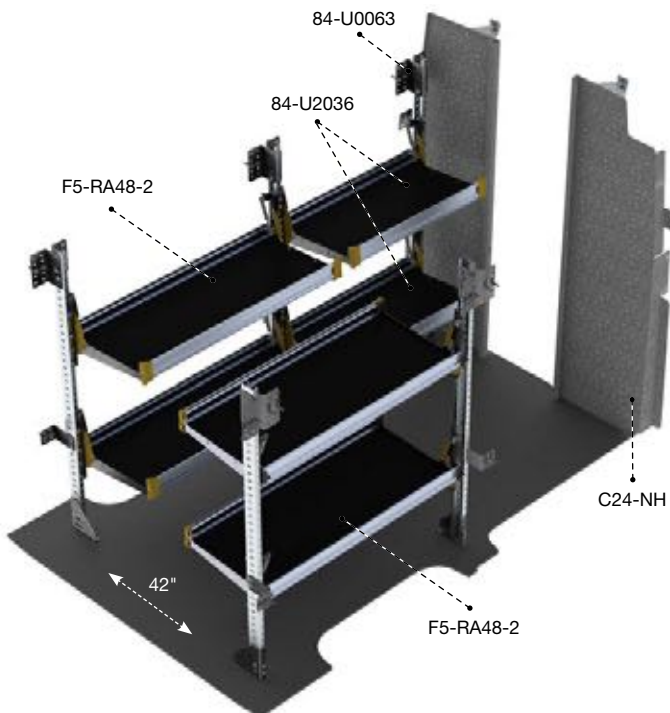


### NVL-19 DELIVERY

Aluminum	146"	Low Roof
190 lbs	4.2 hrs	Yes

Qty	Part #	Description
1	<b>C24-NL</b>	Straight walk through partition with window
1	<b>F4-RA72-2</b>	Fold-away unit, 2 levels, 22" D x 72" W x 47" H
1	<b>F4-RA48-2</b>	Fold-away unit, 2 levels, 22" D x 48" W x 47" H

PACKAGES



### NVH-19 DELIVERY

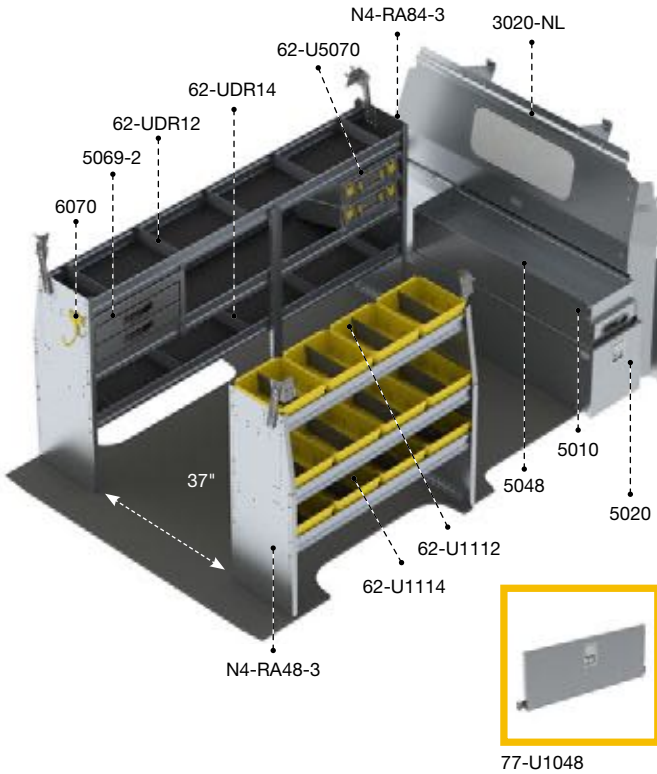
Aluminum	146"	High Roof
255 lbs	5.3 hrs	Yes

Qty	Part #	Description
1	<b>84-U0063</b>	Post assembly for fold-away shelving, 63"
2	<b>84-U2036</b>	Fold-away shelf tray, 20" D x 36" W
1	<b>C24-NH</b>	Straight walk through partition with window
2	<b>F5-RA48-2</b>	Fold-away unit, 2 levels, 25" D x 48" W x 63" H



## NISSAN NV

PACKAGES



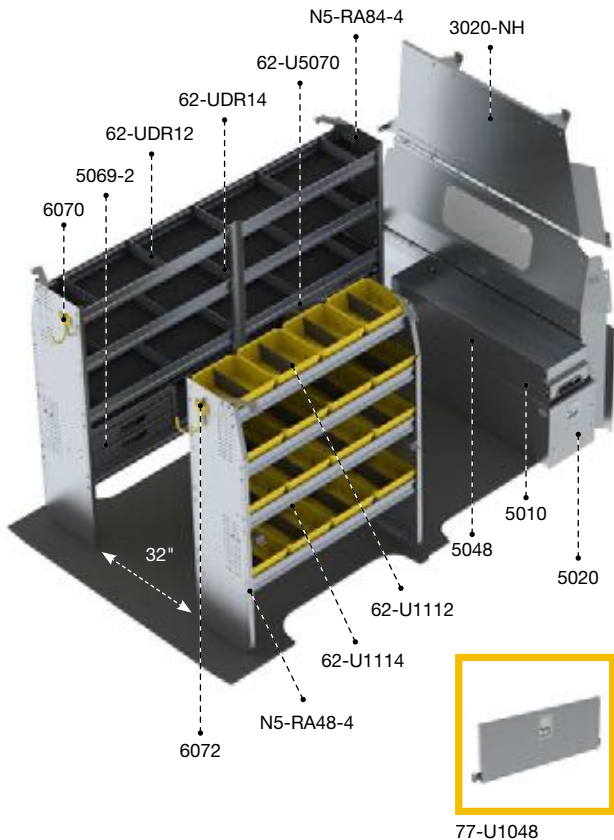
### NVL-27 ALUMINUM

Aluminum	146"	Low Roof
361 lbs	6.6 hrs	Yes

Qty	Part #	Description
1	3020-NL	Countoured safety partition with glass window
1	5010	Partslider drawer
1	5020	Tool drawer 48" D x 14" W x 16" H
1	5048	Top edge
2	62-U5070	Partskeeper carry case with holder
1	6070	6" Hook, 3" opening, painted
1	5069-2	2 Drawer cabinet
4	62-U1112	12" Deep plastic bin
8	62-U1114	14" Deep plastic bin
1	62-UDR12	Set of 5 dividers for a 12" shelf
1	62-UDR14	Set of 5 dividers for a 14" shelf
1	77-U1048	Adjustable shelving door unit - 45" W - for 48" & 96" shelves
1	N4-RA48-3	Aluminum shelving unit for low roof van, 14" D x 48" W x 44.5" H
1	N4-RA84-3	Aluminum shelving unit for low roof van, 14" D x 84" W x 44.5" H

### NVH-27 ALUMINUM

Aluminum	146"	High Roof
430 lbs	7.5 hrs	Yes



Qty	Part #	Description
1	3020-NH	Countoured safety partition with glass window
1	5010	Partslider drawer
1	5020	Tool drawer 48" D x 14" W x 16" H
1	5048	Top edge
2	62-U5070	Partskeeper carry case with holder
1	5069-2	2 Drawer cabinet
1	6070	6" Hook, 3" opening, painted
1	6072	8" Swivel hook, 4" opening, painted
4	62-U1112	12" Deep plastic bin
12	62-U1114	14" Deep plastic bin
1	62-UDR12	Set of 5 dividers for a 12" shelf
2	62-UDR14	Set of 5 dividers for a 14" shelf
1	77-U1048	Adjustable shelving door unit - 45" W - for 48" & 96" shelves
1	N5-RA48-4	Aluminum shelving unit for low roof van, 14" D x 48" W x 62" H
1	N5-RA84-4	Aluminum shelving unit for low roof van, 14" D x 84" W x 62" H



NISSAN **NV200**

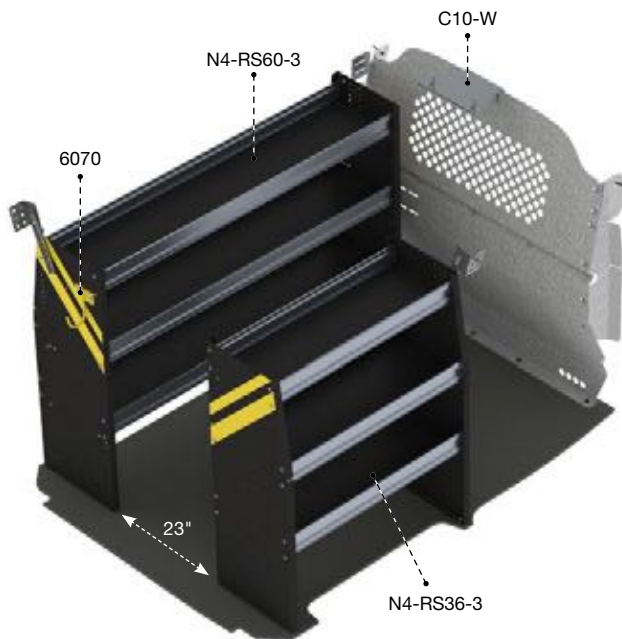


**CNR-10**  
CONTRACTOR

Steel	115"	Standard
144 lbs	3.2 hrs	Yes

Qty	Part #	Description
1	<b>6070</b>	6" Hook, 3" opening, painted
1	<b>C10-W</b>	Contoured steel partition with perforated window
2	<b>N4-RS36-3</b>	Steel shelving unit for low roof van 14" D x 36" W x 44.5" H

PACKAGES



**CNL-10**  
CONTRACTOR

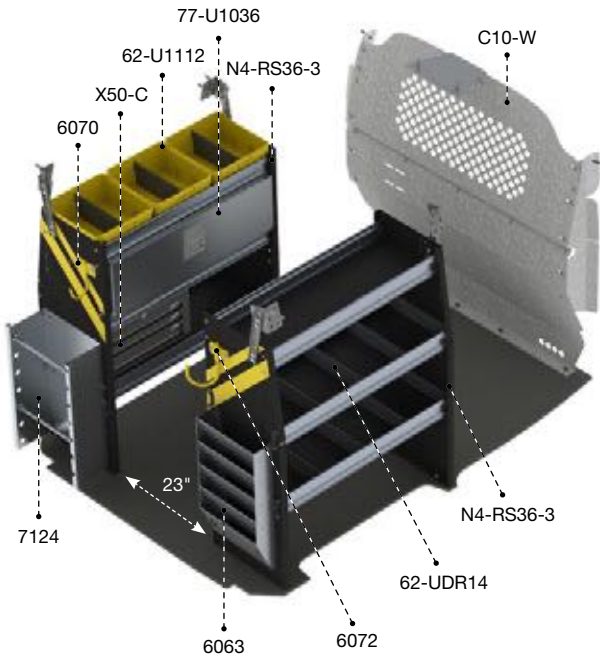
Steel	115"	Standard
159 lbs	3.2 hrs	Yes

Qty	Part #	Description
1	<b>6070</b>	6" Hook, 3" opening, painted
1	<b>C10-W</b>	Contoured steel partition with perforated window
1	<b>N4-RS36-3</b>	Steel shelving unit for low roof van 14" D x 36" W x 44.5" H
1	<b>N4-RS60-3</b>	Steel shelving unit for low roof van 14" D x 60" W x 44.5" H

## NISSAN NV200



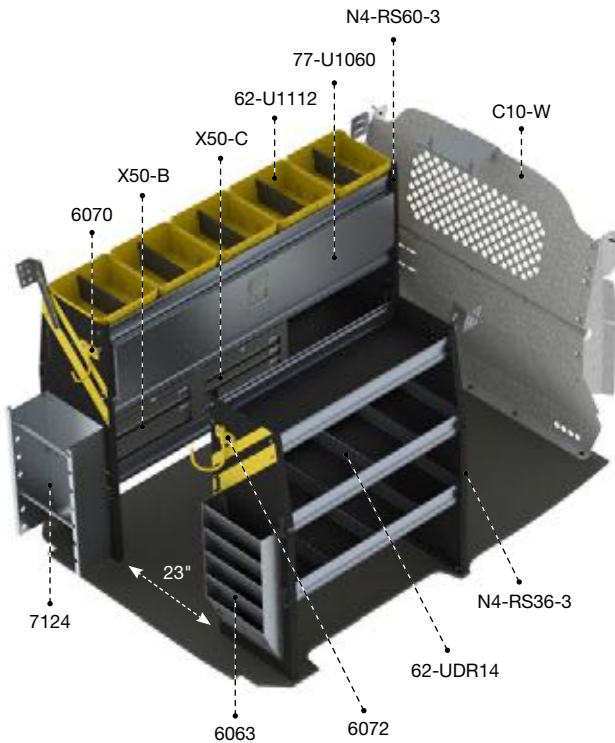
PACKAGES



### CNR-11 ELECTRICAL

	Steel		115"		Standard
	209 lbs		4.9 hrs		Yes

Qty	Part #	Description
1	6063	Paper holder, extra deep, 5 slots
1	6070	6" Hook, 3" opening, painted
1	6072	8" Swivel hook, 4" opening, painted
3	62-U1112	12" Deep plastic bin
2	62-UDR14	Set of 5 dividers for a 14" shelf
1	7124	Reel holder with two 5/8" diameter rods
1	77-U1036	Adjustable shelving door unit - 33" W - for 36" & 72" shelves
1	C10-W	Contoured steel partition with perforated window
2	N4-RS36-3	Steel shelving unit for low roof van 14" D x 36" W x 44.5" H
1	X50-C	Compact 3-drawer unit



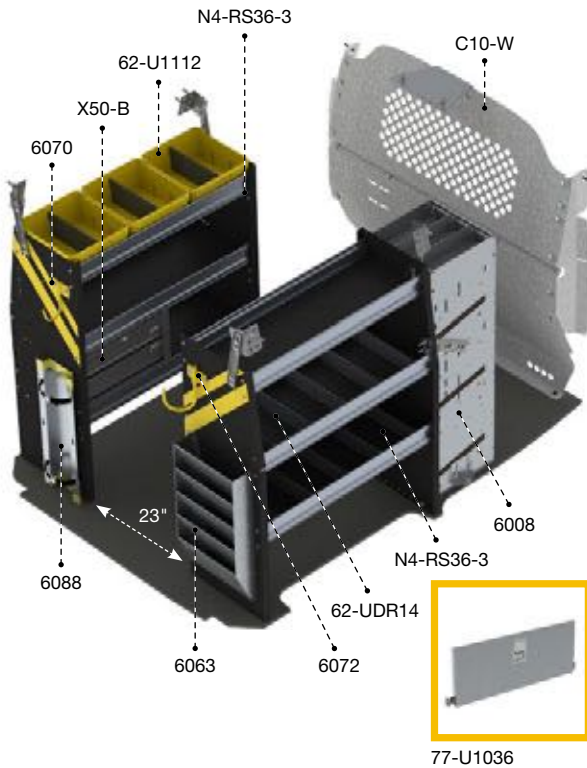
### CNL-11 ELECTRICAL

	Steel		115"		Standard
	258 lbs		5.2 hrs		Yes

Qty	Part #	Description
1	6063	Paper holder, extra deep, 5 slots
1	6070	6" Hook, 3" opening, painted
1	6072	8" Swivel hook, 4" opening, painted
5	62-U1112	12" Deep plastic bin
2	62-UDR14	Set of 5 dividers for a 14" shelf
1	7124	Reel holder with two 5/8" diameter rods
1	77-U1060	Adjustable shelving door unit - 57" W - for 60" shelves
1	C10-W	Contoured steel partition with perforated window
1	N4-RS36-3	Steel shelving unit for low roof van 14" D x 36" W x 44.5" H
1	N4-RS60-3	Steel shelving unit for low roof van 14" D x 60" W x 44.5" H
1	X50-B	Compact 2-drawer unit
1	X50-C	Compact 3-drawer unit



## NISSAN NV200



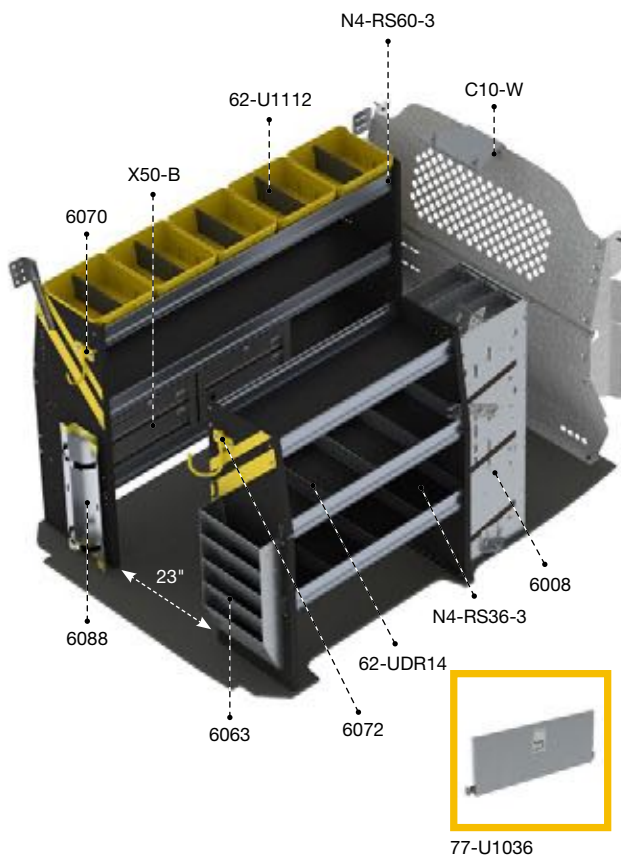
### CNR-12

HVAC

Steel	115"	Standard
226 lbs	5.2 hrs	Yes

Qty	Part #	Description
1	6008	3 Tier refrigerant rack for large bottles
1	6063	Paper holder, extra deep, 5 slots
1	6070	6" Hook, 3" opening, painted
1	6072	8" Swivel hook, 4" opening, painted
1	6088	Large aluminum bottle holder, with two black nylon straps
3	62-U1112	12" Deep plastic bin
2	62-UDR14	Set of 5 dividers for a 14" shelf
1	77-U1036	Adjustable shelving door unit - 33" W - for 36" & 72" shelves
1	C10-W	Contoured steel partition with perforated window
2	N4-RS36-3	Steel shelving unit for low roof van 14" D x 36" W x 44.5" H
1	X50-B	Compact 2-drawer unit

PACKAGES



### CNL-12

HVAC

Steel	115"	Standard
272 lbs	5.5 hrs	Yes

Qty	Part #	Description
1	6008	3 Tier refrigerant rack for large bottles
1	6063	Paper holder, extra deep, 5 slots
1	6070	6" Hook, 3" opening, painted
1	6072	8" Swivel hook, 4" opening, painted
1	6088	Large aluminum bottle holder, with two black nylon straps
5	62-U1112	12" Deep plastic bin
2	62-UDR14	Set of 5 dividers for a 14" shelf
1	77-U1036	Adjustable shelving door unit - 33" W - for 36" & 72" shelves
1	C10-W	Contoured steel partition with perforated window
1	N4-RS36-3	Steel shelving unit for low roof van 14" D x 36" W x 44.5" H
1	N4-RS60-3	Steel shelving unit for low roof van 14" D x 60" W x 44.5" H
2	X50-B	Compact 2-drawer unit





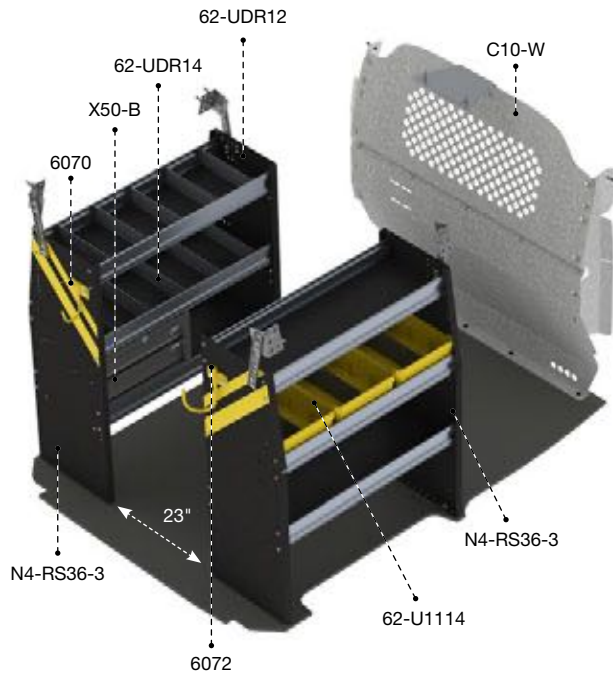
DELIVERY  
**CNR-19**

NISSAN **NV200**





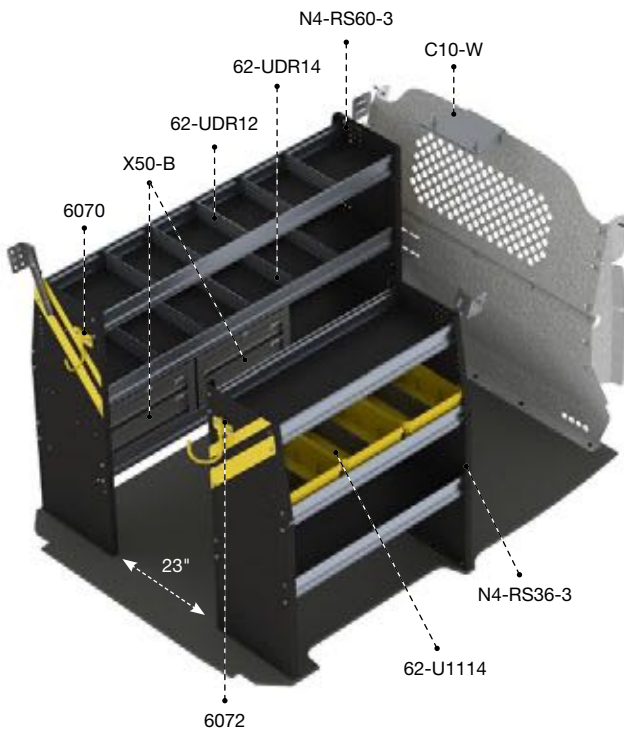
## NISSAN NV200



### CNR-16 SERVICE

Steel	115"	Standard
183 lbs	3.7 hrs	Yes

Qty	Part #	Description
1	6070	6" Hook, 3" opening, painted
1	6072	8" Swivel hook, 4" opening, painted
3	62-U1114	14" deep plastic bin
1	62-UDR12	Set of 5 dividers for a 12" Shelf
1	62-UDR14	Set of 5 dividers for a 14" Shelf
1	C10-W	Contoured steel partition with perforated window
2	N4-RS36-3	Steel shelving unit for low roof van 14" D x 36" W x 44.5" H
1	X50-B	Compact 2-drawer unit



### CNL-16 SERVICE

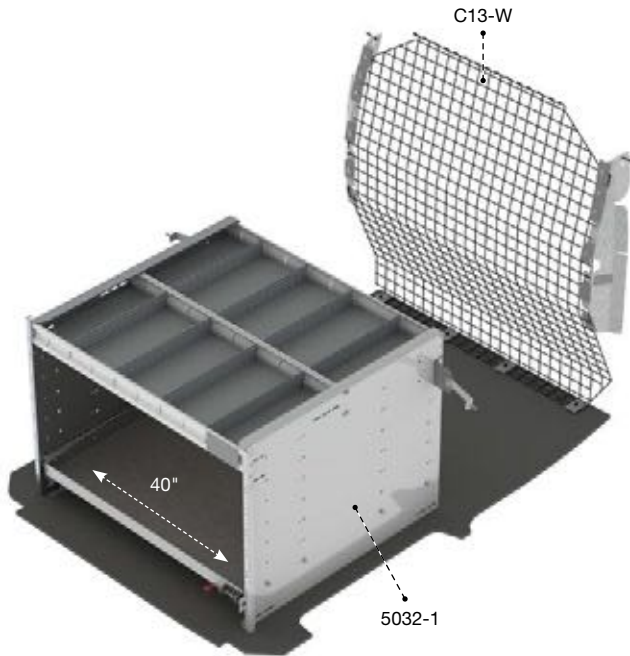
Steel	115"	Standard
225 lbs	4 hrs	Yes

Qty	Part #	Description
1	6070	6" Hook, 3" opening, painted
1	6072	8" Swivel hook, 4" opening, painted
3	62-U1114	14" Deep plastic bin
1	62-UDR12	Set of 5 dividers for a 12" shelf
1	62-UDR14	Set of 5 dividers for a 14" shelf
1	C10-W	Contoured steel partition with perforated window
1	N4-RS36-3	Steel shelving unit for low roof van 14" D x 36" W x 44.5" H
1	N4-RS60-3	Steel shelving unit for low roof van 14" D x 60" W x 44.5" H
2	X50-B	Compact 2-drawer unit

## NISSAN NV200



PACKAGES

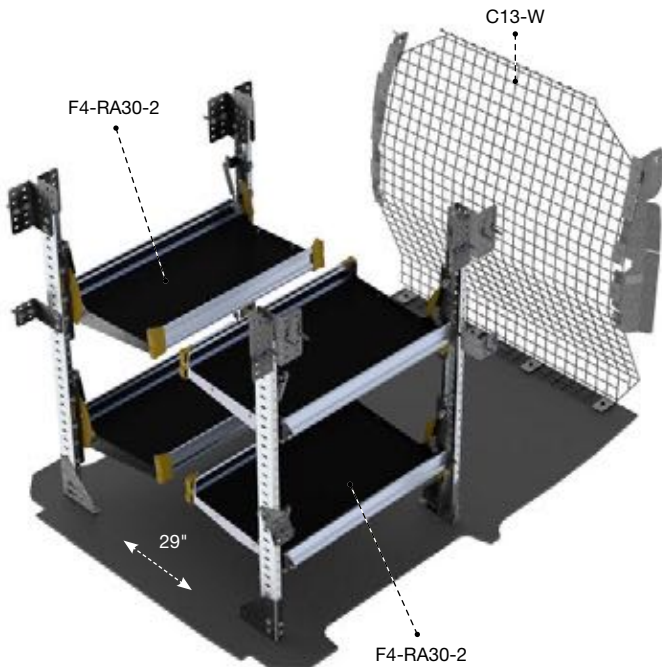


### CNR-19 DELIVERY

Aluminum	115"	Standard
120 lbs	1.7 hrs	Yes

Qty	Part #	Description
1	<b>5032-1</b>	Axess tray with 1 shelf and 1 drawer, 38" D x 45" W x 30" H
1	<b>C13-W</b>	Wire mesh partition

Install kit # 6471 can be purchased separately.



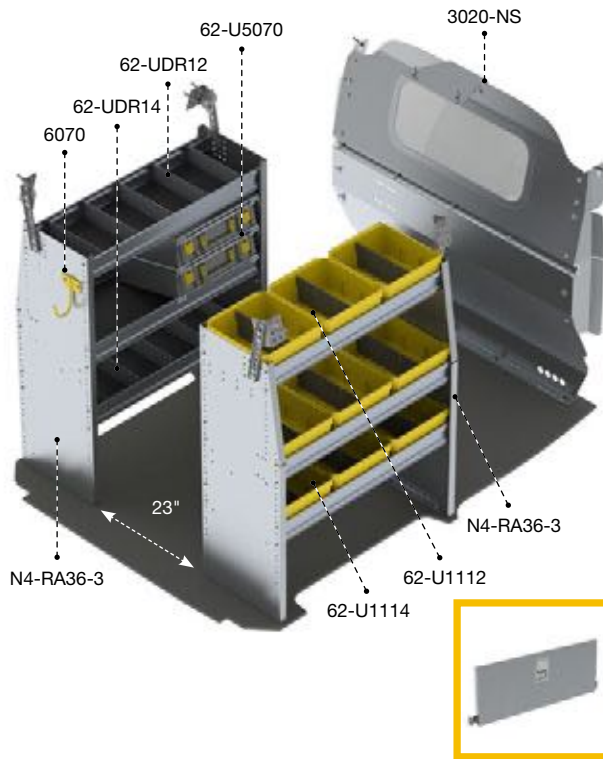
### CNL-19 DELIVERY

Aluminum	115"	Standard
148 lbs	3.9 hrs	Yes

Qty	Part #	Description
1	<b>C13-W</b>	Wire mesh partition
2	<b>F4-RA30-2</b>	Fold-away unit, 2 levels, 22" D x 30" W x 47" H



## NISSAN NV200

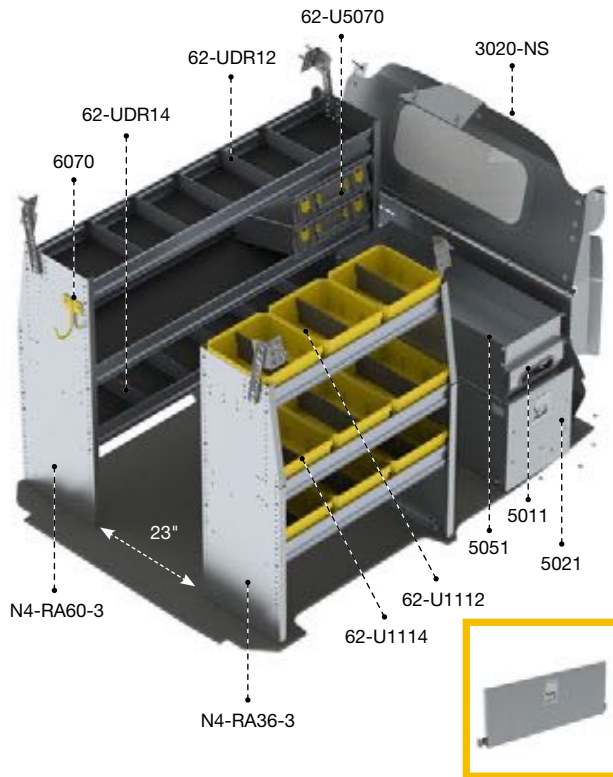


### CNR-27 ALUMINUM

Aluminum	115"	Standard
178 lbs	4.3 hrs	Yes

Qty	Part #	Description
1	3020-NS	Countoured safety partition with glass window
2	62-U5070	Partskeeper carry case with holder
1	6070	6" Hook, 3" opening, painted
3	62-U1112	12" Deep plastic bin
6	62-U1114	14" Deep plastic bin
1	62-UDR12	Set of 5 dividers for a 12" shelf
1	62-UDR14	Set of 5 dividers for a 14" shelf
1	77-U1036	Adjustable shelving door unit - 33" W - for 36" & 72" shelves
2	N4-RA36-3	Aluminum shelving unit for low roof van 14" D x 36" W x 44.5" H

77-U1036



### CNL-27 ALUMINUM

Aluminum	115"	Standard
268 lbs	6 hrs	Yes

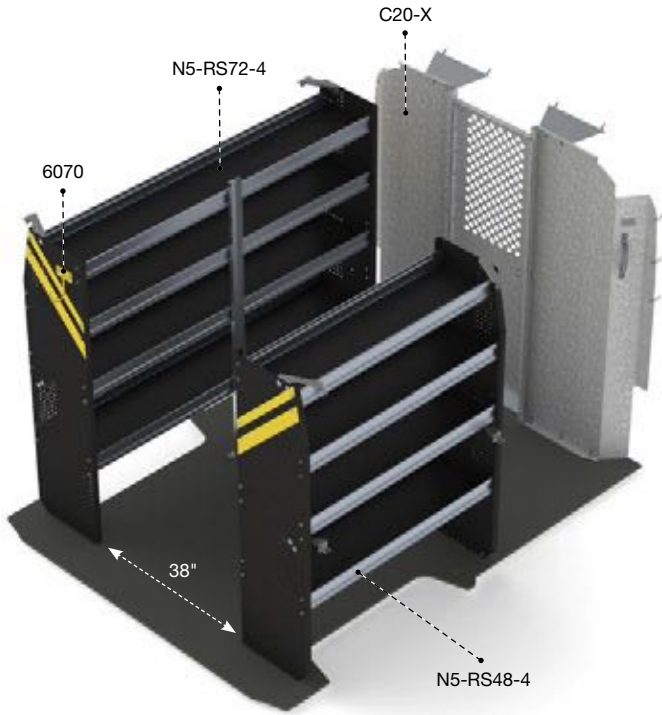
Qty	Part #	Description
1	3020-NS	Countoured safety partition with glass window
1	5011	Partslider drawer 36" D
1	5021	Tool drawer 36" D x 14" W x 16" H
1	5051	Top edge
2	62-U5070	Partskeeper carry case with holder
1	6070	6" Hook, 3" opening, painted
3	62-U1112	12" Deep plastic bin
6	62-U1114	14" Deep plastic bin
1	62-UDR12	Set of 5 dividers for a 12" shelf
1	62-UDR14	Set of 5 dividers for a 14" shelf
1	77-U1036	Adjustable shelving door unit - 33" W - for 36" x 72" shelves
1	N4-RA36-3	Aluminum shelving unit for low roof van 14" D x 36" W x 44.5" H
1	N4-RA60-3	Aluminum shelving unit for low roof van 14" D x 60" W x 44.5" H

77-U1036



## RAM PROMASTER

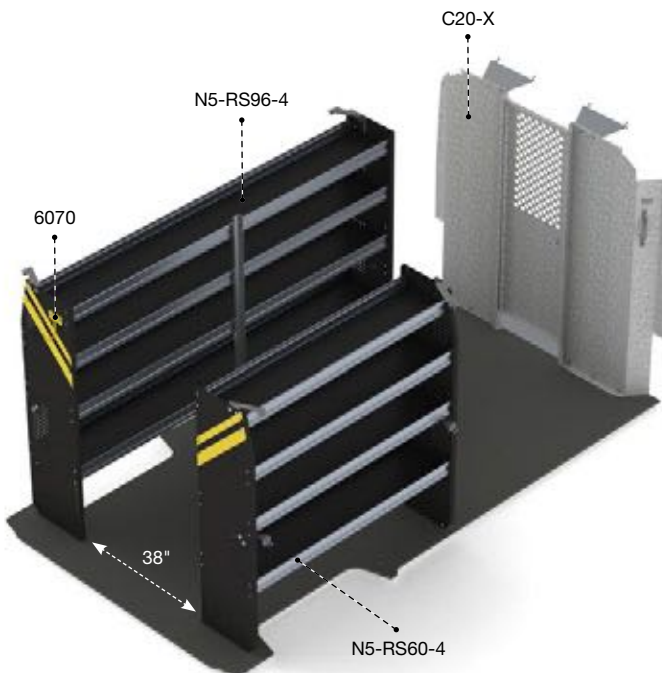
PACKAGES



### RPS-10 CONTRACTOR

	Steel		118", 136"		Low / High
	259 lbs		3.8 hrs		Yes

Qty	Part #	Description
1	6070	6" Hook, 3" opening, painted
1	C20-X	Straight steel partition with perforated window, no access
1	N5-RS48-4	Steel shelving unit for high roof van, 14" D x 48" W x 62" H
1	N5-RS72-4	Steel shelving unit for high roof van, 14" D x 72" W x 62" H



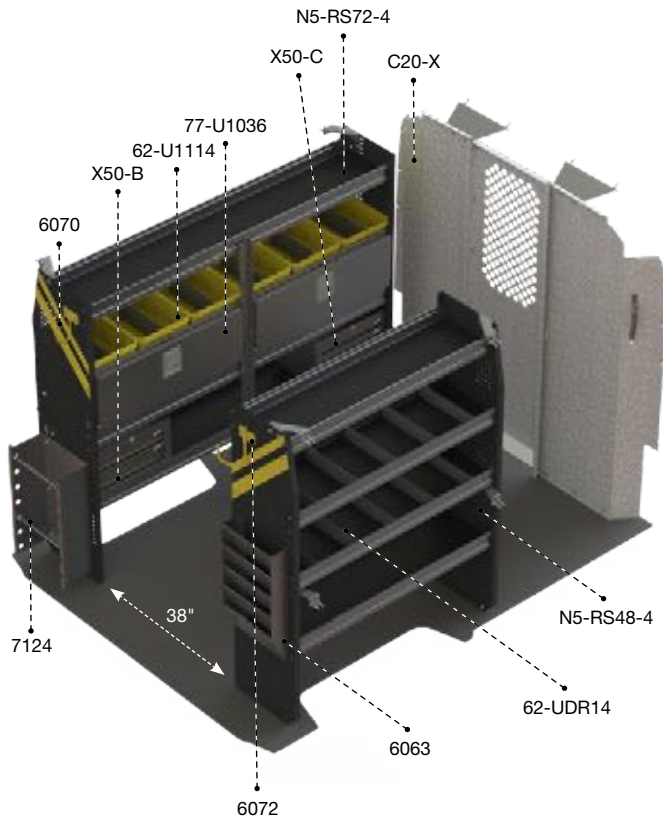
### RPL-10 CONTRACTOR

	Steel		159", 159" Ext.		High
	289 lbs		3.8 hrs		Yes

Qty	Part #	Description
1	6070	6" Hook, 3" opening, painted
1	C20-X	Straight steel partition with perforated window, no access
1	N5-RS60-4	Steel shelving unit for high roof van, 14" D x 60" W x 62" H
1	N5-RS96-4	Steel shelving unit for high roof van, 14" D x 96" W x 62" H



RAM PROMASTER



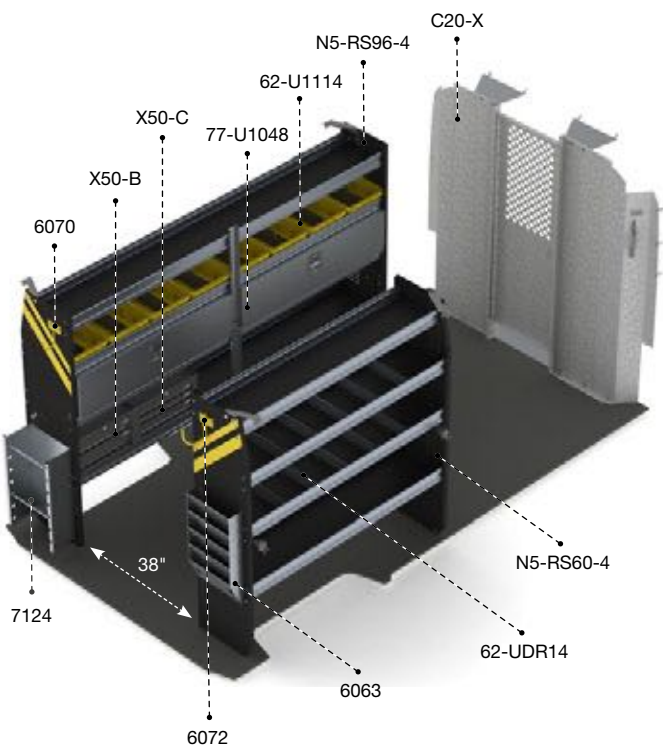
## RPS-11

### ELECTRICAL

Steel	118", 136"	Low / High
364 lbs	6.3 hrs	Yes

Qty	Part #	Description
1	6063	Paper holder, extra deep, 5 slots
1	6070	6" Hook, 3" opening, painted
1	6072	8" Swivel hook, 4" opening, painted
6	62-U1114	14" Deep plastic bin
2	62-UDR14	Set of 5 dividers for a 14" shelf
1	7124	Reel holder with two 5/8" diameter rods
2	77-U1036	Adjustable shelving door unit - 33" W - for 36" & 72" shelves
1	C20-X	Straight steel partition with perforated window, no access
1	N5-RS48-4	Steel shelving unit for high roof van, 14" D x 48" W x 62" H
1	N5-RS72-4	Steel shelving unit for high roof van, 14" D x 72" W x 62" H
1	X50-B	Compact 2-drawer unit
1	X50-C	Compact 3-drawer unit

PACKAGES



## RPL-11

### ELECTRICAL

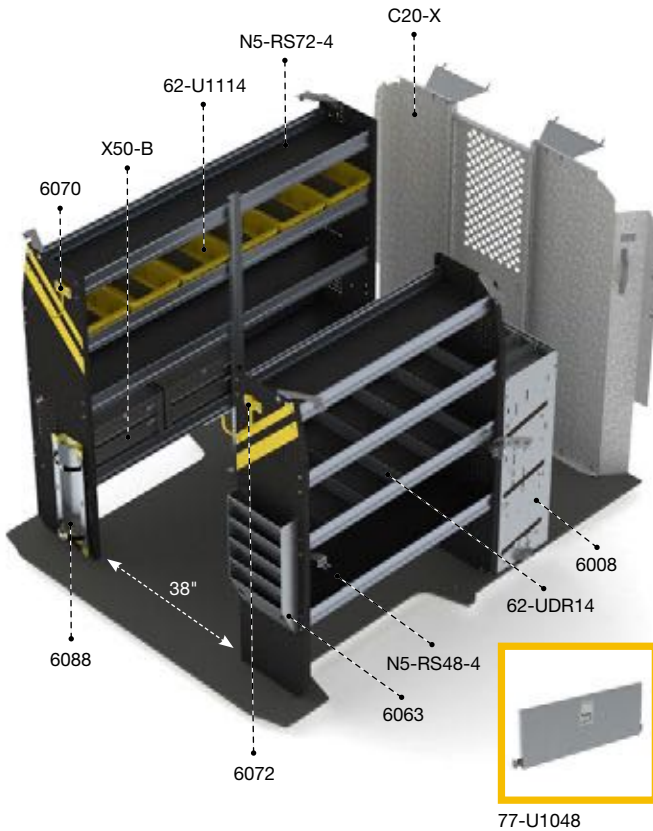
Steel	159", 159" Ext.	High
402 lbs	6.3 hrs	Yes

Qty	Part #	Description
1	6063	Paper holder, extra deep, 5 slots
1	6070	6" Hook, 3" opening, painted
1	6072	8" Swivel hook, 4" opening, painted
8	62-U1114	14" Deep plastic bin
2	62-UDR14	Set of 5 dividers for a 14" shelf
1	7124	Reel holder with two 5/8" diameter rods
2	77-U1048	Adjustable shelving door unit - 45" W - for 48" & 96" shelves
1	C20-X	Straight steel partition with perforated window, no access
1	N5-RS60-4	Steel shelving unit for high roof van, 14" D x 60" W x 62" H
1	N5-RS96-4	Steel shelving unit for high roof van, 14" D x 96" W x 62" H
1	X50-B	Compact 2-drawer unit
1	X50-C	Compact 3-drawer unit



## RAM PROMASTER

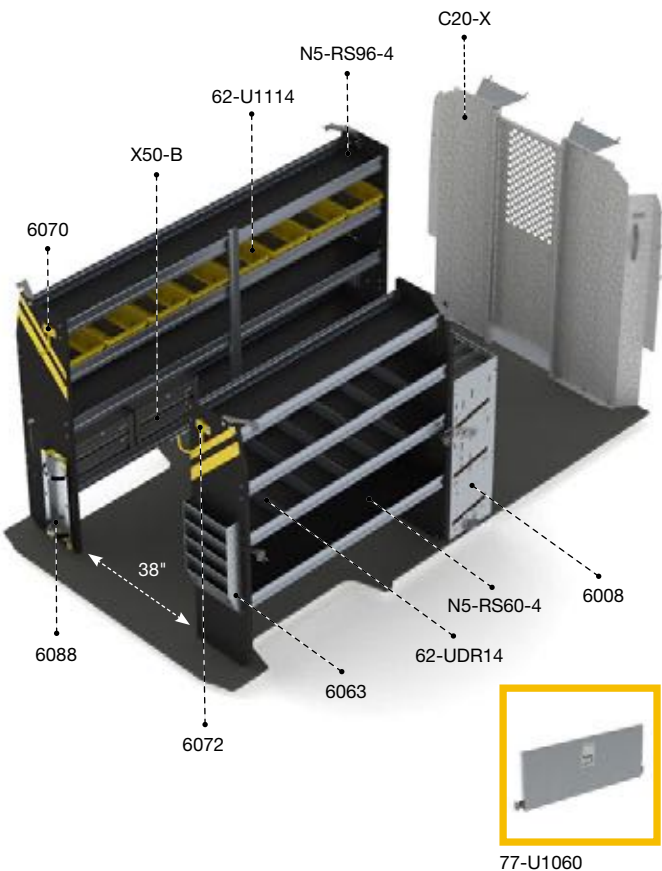
PACKAGES



### RPS-12 HVAC

	Steel		118", 136"		Low / High
	376 lbs		6.1 hrs		Yes

Qty	Part #	Description
1	6008	3 Tier refrigerant rack for large bottles
1	6063	Paper holder, extra deep, 5 slots
1	6070	6" Hook, 3" opening, painted
1	6072	8" Swivel hook, 4" opening, painted
1	6088	Large aluminum bottle holder, with two black nylon straps
6	62-U1114	14" Deep plastic bin
2	62-UDR14	Set of 5 dividers for a 14" shelf
1	77-U1048	Adjustable shelving door unit - 45" W - for 48" & 96" shelves
1	C20-X	Straight steel partition with perforated window, no access
1	N5-RS48-4	Steel shelving unit for high roof van, 14" D x 48" W x 62" H
1	N5-RS72-4	Steel shelving unit for high roof van, 14" D x 72" W x 62" H
2	X50-B	Compact 2-drawer unit



### RPL-12 HVAC

	Steel		159", 159" Ext.		High
	412 lbs		6.1 hrs		Yes

Qty	Part #	Description
1	6008	3 Tier refrigerant rack for large bottles
1	6063	Paper holder, extra deep, 5 slots
1	6070	6" Hook, 3" opening, painted
1	6072	8" Swivel hook, 4" opening, painted
1	6088	Large aluminum bottle holder, with two black nylon straps
8	62-U1114	14" Deep plastic bin
2	62-UDR14	Set of 5 dividers for a 14" shelf
1	77-U1060	Adjustable shelving door unit - 57" W - for 60" shelves
1	C20-X	Straight steel partition with perforated window, no access
1	N5-RS60-4	Steel shelving unit for high roof van, 14" D x 60" W x 62" H
1	N5-RS96-4	Steel shelving unit for high roof van, 14" D x 96" W x 62" H
2	X50-B	Compact 2-drawer unit



# SERVICE **RPS-16**

**RAM PROMASTER**

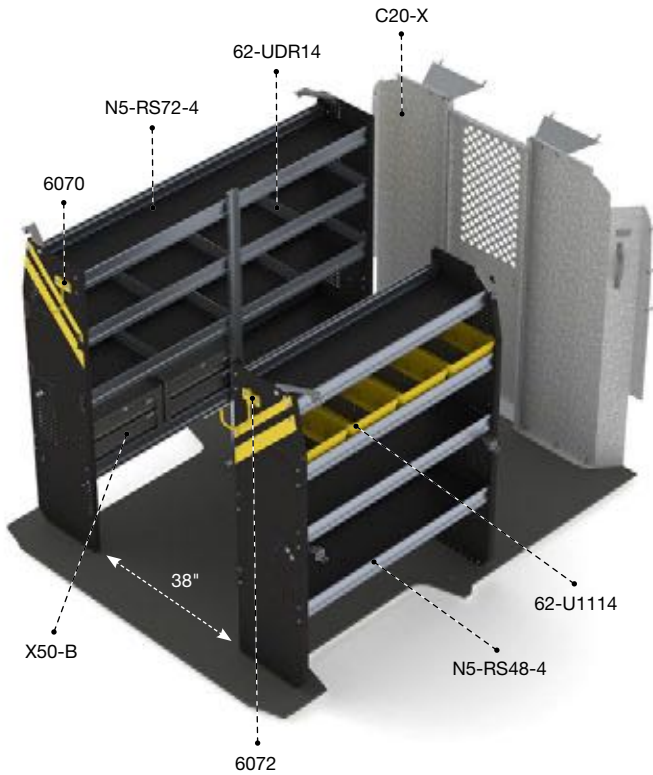






## RAM PROMASTER

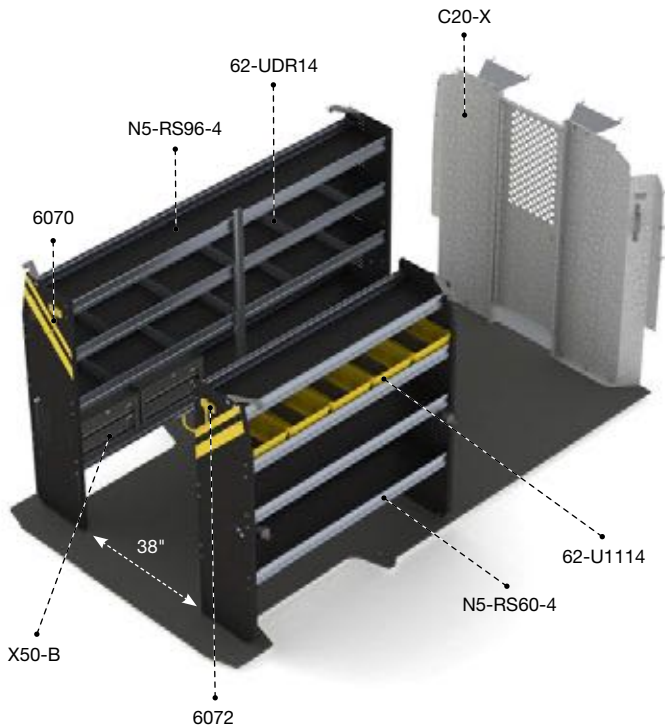
PACKAGES



### RPS-16 SERVICE

	Steel		118", 136"		Low / High
	326 lbs		4.6 hrs		Yes

Qty	Part #	Description
1	6070	6" Hook, 3" opening, painted
1	6072	8" Swivel hook, 4" opening, painted
4	62-U1114	14" Deep plastic bin
2	62-UDR14	Set of 5 dividers for a 14" shelf
1	C20-X	Straight steel partition with perforated window, no access
1	N5-RS48-4	Steel shelving unit for high roof van, 14" D x 48" W x 62" H
1	N5-RS72-4	Steel shelving unit for high roof van, 14" D x 72" W x 62" H
2	X50-B	Compact 2-drawer unit



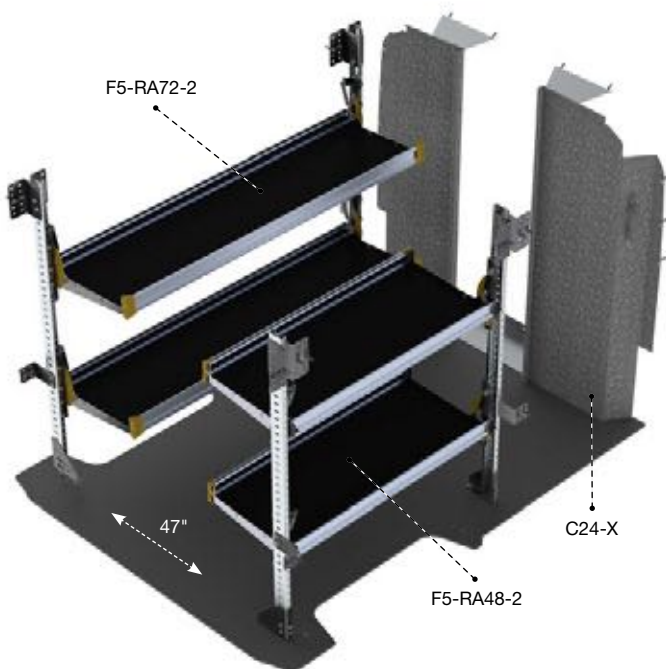
### RPL-16 SERVICE

	Steel		159", 159" Ext.		High
	359 lbs		4.6 hrs		Yes

Qty	Part #	Description
1	6070	6" Hook, 3" opening, painted
1	6072	8" Swivel hook, 4" opening, painted
5	62-U1114	14" Deep plastic bin
2	62-UDR14	Set of 5 dividers for a 14" shelf
1	C20-X	Straight steel partition with perforated window, no access
1	N5-RS60-4	Steel shelving unit for high roof van, 14" D x 60" W x 62" H
1	N5-RS96-4	Steel shelving unit for high roof van, 14" D x 96" W x 62" H
2	X50-B	Compact 2-drawer unit



RAM PROMASTER

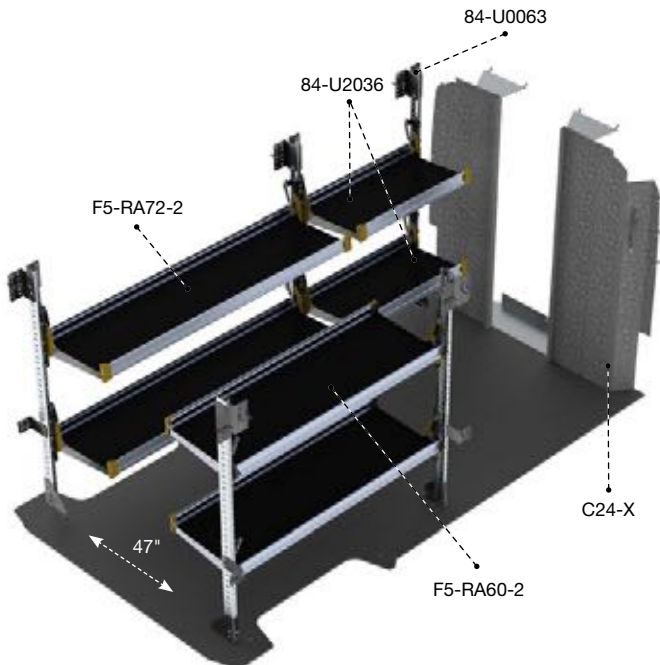


**RPS-19**  
DELIVERY

Aluminum	118", 136"	Low / High
228 lbs	4.2 hrs	Yes

Qty	Part #	Description
1	<b>C24-X</b>	Straight walk through steel partition
1	<b>F5-RA72-2</b>	Fold-away unit, 2 levels, 25" D x 72" W x 63" H
1	<b>F5-RA48-2</b>	Fold-away unit, 2 levels, 25" D x 48" W x 63" H

PACKAGES



**RPL-19**  
DELIVERY

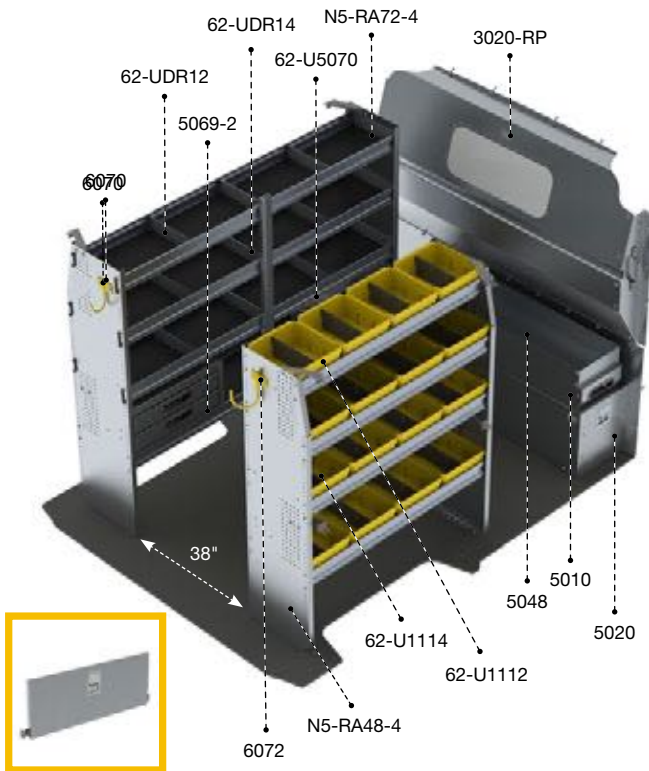
Aluminum	159", 159" Ext.	High
289 lbs	5.3 hrs	Yes

Qty	Part #	Description
1	<b>C24-X</b>	Straight walk through partition
1	<b>F5-RA60-2</b>	Fold-away unit, 2 levels, 25" D x 60" W x 63" H
1	<b>F5-RA72-2</b>	Fold-away unit, 2 levels, 25" D x 72" W x 63" H
1	<b>84-U0063</b>	Post assembly for fold-away shelving, 63"
2	<b>84-U2036</b>	Fold-away shelf tray, 20" D x 36" W



## RAM PROMASTER

PACKAGES



77-U1048

### RPS-27 ALUMINUM

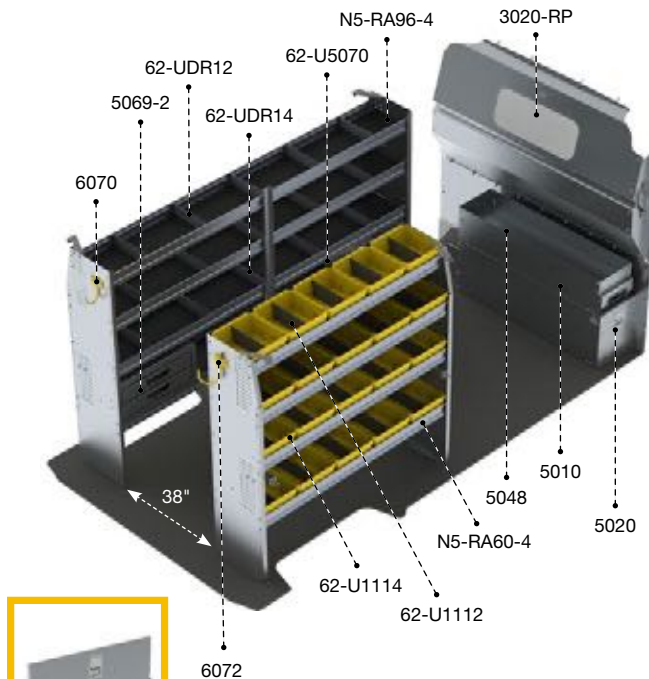
	Aluminum		118", 136"		Low / High
	420 lbs		7.3 hrs		Yes

Qty	Part #	Description
1	<b>3020-RP</b>	Countoured safety partition with glass window
1	<b>5010</b>	Partslider 48" D
1	<b>5020</b>	Tool drawer 48" D x 14" W x 16" H
1	<b>5048</b>	Top edge
1	<b>5069-2</b>	2 Drawer cabinet
2	<b>62-U5070</b>	Partskeeper carry case with holder
1	<b>6070</b>	6" Hook, 3" opening, painted
1	<b>6072</b>	8" Swivel hook, 4" opening, painted
4	<b>62-U1112</b>	12" Deep plastic bin
12	<b>62-U1114</b>	14" Deep plastic bin
1	<b>62-UDR12</b>	Set of 5 dividers for a 12" shelf
2	<b>62-UDR14</b>	Set of 5 dividers for a 14" shelf
1	<b>77-U1048</b>	Adjustable shelving door unit - 45" W - for 48" & 96" shelves
1	<b>N5-RA48-4</b>	Aluminum shelving unit for high roof van, 14" D x 48" W x 62" H
1	<b>N5-RA72-4</b>	Aluminum shelving unit for high roof van, 14" D x 72" W x 62" H

### RPL-27 ALUMINUM

	Aluminum		159", 159" Ext.		High
	460 lbs		7.3 hrs		Yes

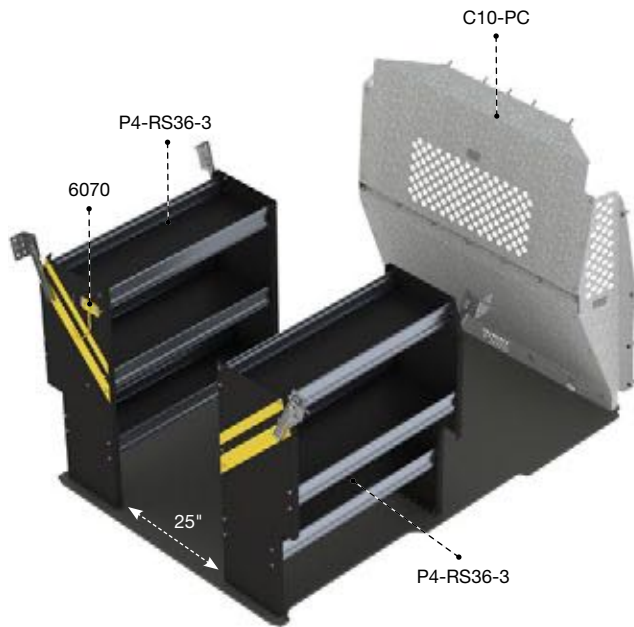
Qty	Part #	Description
1	<b>3020-RP</b>	Countoured safety partition with glass window
1	<b>5010</b>	Partslider 48" D
1	<b>5020</b>	Tool drawer 48" D x 14" W x 16" H
1	<b>5048</b>	Top edge
1	<b>5069-2</b>	2 Drawer cabinet
2	<b>62-U5070</b>	Partskeeper carry case with holder
1	<b>6070</b>	6" Hook, 3" opening, painted
1	<b>6072</b>	8" Swivel hook, 4" opening, painted
5	<b>62-U1112</b>	12" deep plastic bin
15	<b>62-U1114</b>	14" deep plastic bin
1	<b>62-UDR12</b>	Set of 5 dividers for a 12" Shelf
2	<b>62-UDR14</b>	Set of 5 dividers for a 14" Shelf
1	<b>77-U1060</b>	Adjustable shelving door unit - 57" W - for 60" shelves
1	<b>N5-RA60-4</b>	Aluminum Shelving Unit for high roof van, 14" D x 60" W x 62" H
1	<b>N5-RA96-4</b>	Aluminum Shelving Unit for high roof van, 14" D x 96" W x 62" H



77-U1060



RAM **PROMASTER CITY**

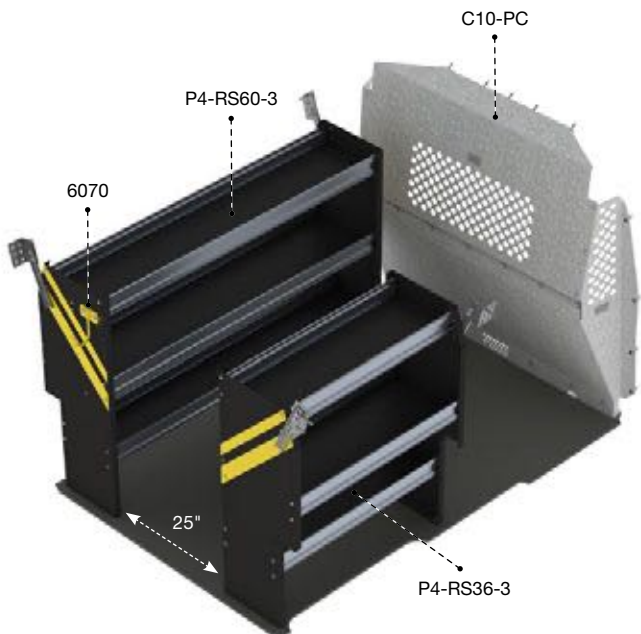


**PMC-10**  
CONTRACTOR

Steel	122"	Standard
156 lbs	3.2 hrs	Yes

Qty	Part #	Description
1	6070	6" Hook, 3" opening, painted
1	C10-PC	Contoured steel partition with perforated window
2	P4-RS36-3	Steel shelving unit for Promaster City 14" D x 36" W x 42" H

PACKAGES



**PMD-10**  
CONTRACTOR

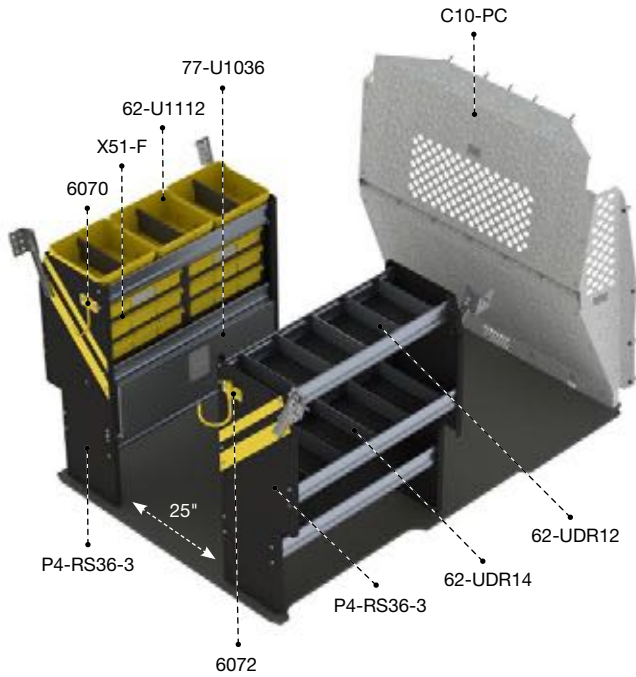
Steel	122"	Standard
170 lbs	3.2 hrs	Yes

Qty	Part #	Description
1	6070	6" Hook, 3" opening, painted
1	C10-PC	Contoured steel partition with perforated window
1	P4-RS36-3	Steel shelving unit for ProMaster City 14" D x 36" W x 42" H
1	P4-RS60-3	Steel shelving unit for ProMaster City 14" D x 60" W x 42" H



## RAM PROMASTER CITY

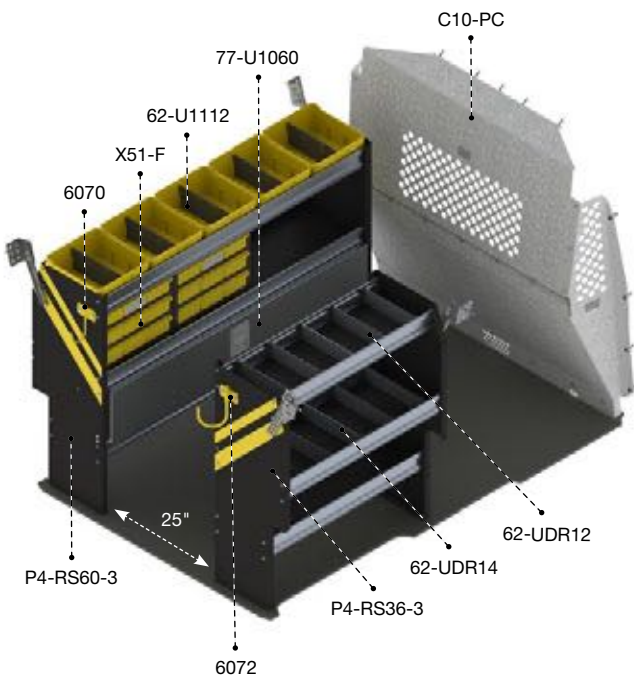
PACKAGES



### PMC-11 ELECTRICAL

Steel	122"	Standard
230 lbs	4.5 hrs	Yes

Qty	Part #	Description
1	6070	6" Hook, 3" opening, painted
1	6072	8" Swivel hook, 4" opening, painted
3	62-U1112	12" Deep plastic bin
1	62-UDR12	Set of 5 dividers for a 12" shelf
1	62-UDR14	Set of 5 dividers for a 14" shelf
1	77-U1036	Adjustable shelving door unit - 33" W - for 36" & 72" shelves
1	C10-PC	Contoured steel partition with perforated window
2	P4-RS36-3	Steel shelving unit for ProMaster City 14" D x 36" H x 42" W
2	X51-F	Compact 9-drawer unit



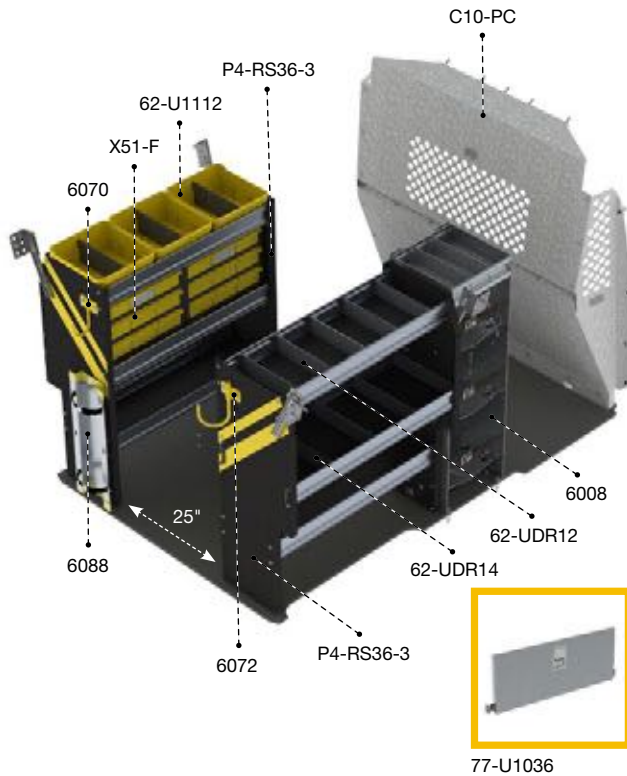
### PMD-11 ELECTRICAL

Steel	122"	Standard
251 lbs	4.5 hrs	Yes

Qty	Part #	Description
1	6070	6" Hook, 3" opening, painted
1	6072	8" Swivel hook, 4" opening, painted
5	62-U1112	12" Deep plastic bin
1	62-UDR12	Set of 5 dividers for a 12" shelf
1	62-UDR14	Set of 5 dividers for a 14" shelf
1	77-U1060	Adjustable shelving door unit - 57" W - for 60" shelves
1	C10-PC	Contoured steel partition with perforated window
1	P4-RS36-3	Steel shelving unit for ProMaster City 14" D x 36" H x 42" W
1	P4-RS60-3	Steel shelving unit for ProMaster City 14" D x 60" H x 42" W
2	X51-F	Compact 9-drawer unit



RAM PROMASTER CITY

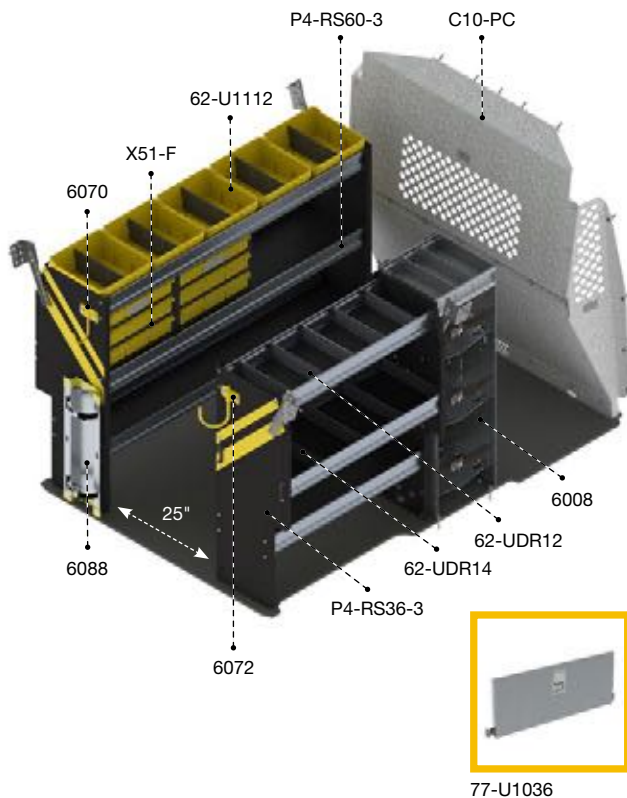


**PMC-12**  
HVAC

Steel	122"	Standard
260 lbs	5.3 hrs	Yes

Qty	Part #	Description
1	6008	3 Tier refrigerant rack for large bottles
1	6070	6" Hook, 3" opening, painted
1	6072	8" Swivel hook, 4" opening, painted
1	6088	Large aluminum bottle holder, with two black nylon straps
3	62-U1112	12" Deep plastic bin
1	62-UDR12	Set of 5 dividers for a 12" shelf
1	62-UDR14	Set of 5 dividers for a 14" shelf
1	77-U1036	Adjustable shelving door unit - 33" W - for 36" & 72" shelves
1	C10-PC	Contoured steel partition with perforated window
2	P4-RS36-3	Steel shelving unit for ProMaster City 14" D x 36" W x 42" H
2	X51-F	Compact 9-drawer unit

PACKAGES



**PMD-12**  
HVAC

Steel	122"	Standard
278 lbs	5.3 hrs	Yes

Qty	Part #	Description
1	6008	3 Tier refrigerant rack for large bottles
1	6070	6" Hook, 3" opening, painted
1	6072	8" Swivel hook, 4" opening, painted
1	6088	Large aluminum bottle holder, with two black nylon straps
5	62-U1112	12" Deep plastic bin
1	62-UDR12	Set of 5 dividers for a 12" shelf
1	62-UDR14	Set of 5 dividers for a 14" shelf
1	77-U1036	Adjustable shelving door unit - 33" W - for 36" & 72" shelves
1	C10-PC	Contoured steel partition with perforated window
1	P4-RS36-3	Steel shelving unit for ProMaster City 14" D x 36" W x 42" H
1	P4-RS60-3	Steel shelving unit for ProMaster City 14" D x 60" W x 42" H
2	X51-F	Compact 9-drawer unit



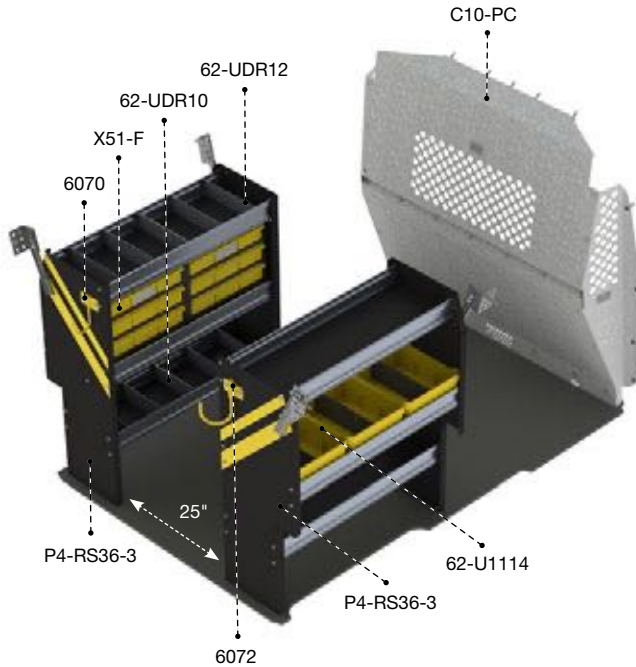
SERVICE  
**PMC-16**

RAM **PROMASTER CITY**





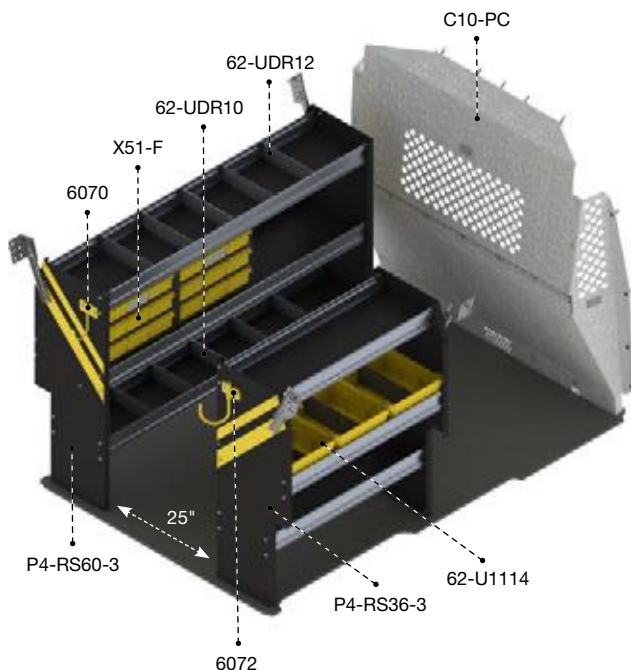
## RAM PROMASTER CITY



### PMC-16 SERVICE

Steel	122"	Standard
223 lbs	4 hrs	Yes

Qty	Part #	Description
1	6070	6" Hook, 3" opening, painted
1	6072	8" Swivel hook, 4" opening, painted
3	62-U1114	14" Deep plastic bin
1	62-UDR10	Set of 5 dividers for a 10" shelf
1	62-UDR12	Set of 5 dividers for a 12" shelf
1	C10-PC	Contoured steel partition with perforated window
2	P4-RS36-3	Steel shelving unit for ProMaster City 14" D x 36" W x 42" H
2	X51-F	Compact 9-drawer unit



### PMD-16 SERVICE

Steel	122"	Standard
237 lbs	4 hrs	Yes

Qty	Part #	Description
1	6070	6" Hook, 3" opening, painted
1	6072	8" Swivel hook, 4" opening, painted
3	62-U1114	14" Deep plastic bin
1	62-UDR10	Set of 5 dividers for a 10" shelf
1	62-UDR12	Set of 5 dividers for a 12" shelf
1	C10-PC	Contoured steel partition with perforated window
1	P4-RS36-3	Steel shelving unit for ProMaster City 14" D x 36" W x 42" H
1	P4-RS60-3	Steel shelving unit for ProMaster City 14" D x 60" W x 42" H
2	X51-F	Compact 9-drawer unit



## RAM PROMASTER CITY



PACKAGES

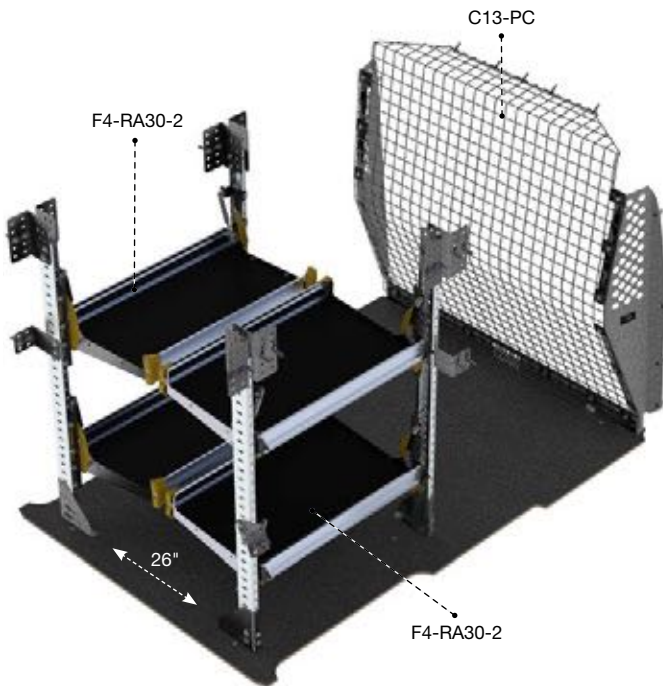


### PMC-19 DELIVERY

Aluminum	122"	Standard
161 lbs	2 hrs	Yes

Qty	Part #	Description
1	<b>5032-1</b>	Axess tray with 1 shelf and 1 drawer, 38" D x 45" W x 30" H
1	<b>C13-PC</b>	Wire mesh partition, 38" D x 45" W x 30" H

Install kit # 6400 can be purchased separately.



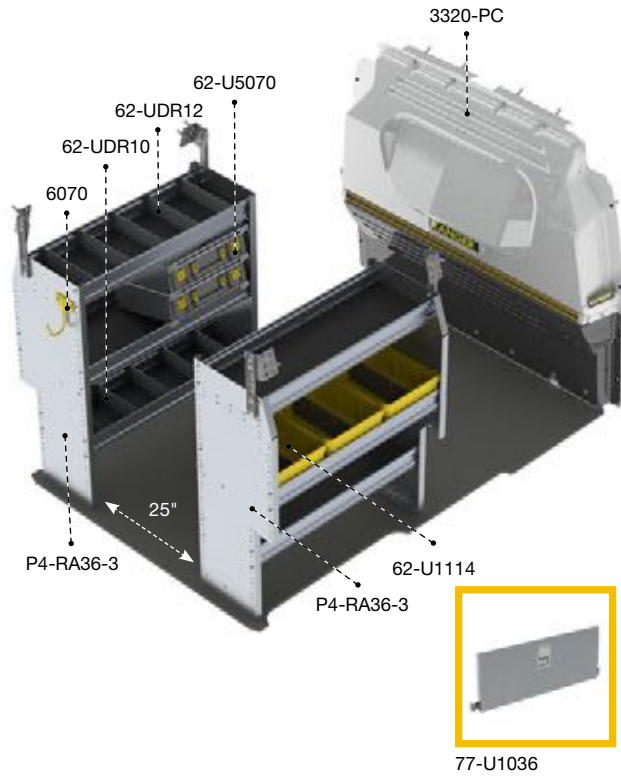
### PMD-19 DELIVERY

Aluminum	122"	Standard
188 lbs	4.2 hrs	Yes

Qty	Part #	Description
1	<b>C13-PC</b>	Wire mesh partition
2	<b>F4-RA30-2</b>	Fold-away unit, 2 levels, 22" D x 30" W x 47" H



RAM **PROMASTER CITY**

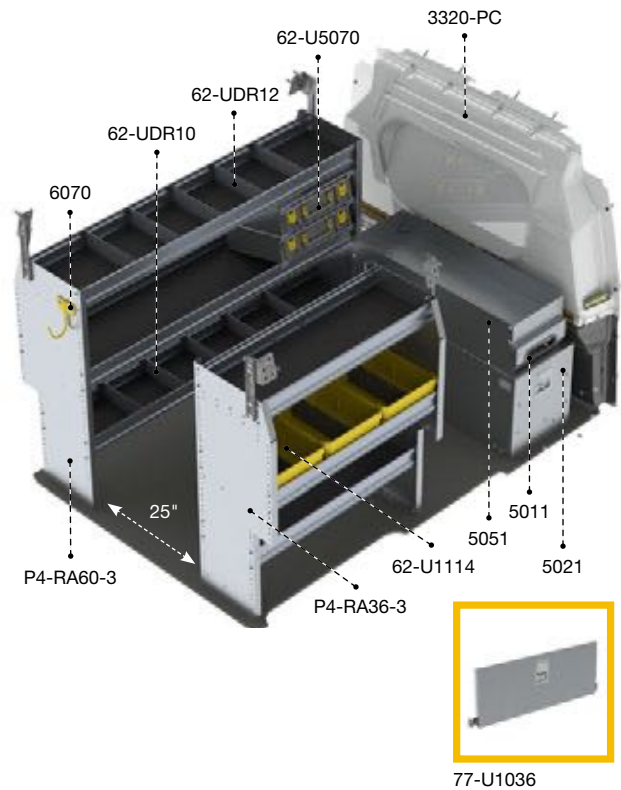


**PMC-27**  
ALUMINUM

Aluminum	122"	Standard
152 lbs	4.3 hrs	Yes

Qty	Part #	Description
1	<b>3320-PC</b>	Max View countoured safety partition
2	<b>62-U5070</b>	Partskeeper carry case with holder
1	<b>6070</b>	6" Hook, 3" opening, painted
3	<b>62-U1114</b>	14" Deep plastic bin
1	<b>62-UDR10</b>	Set of 5 dividers for a 10" shelf
1	<b>62-UDR12</b>	Set of 5 dividers for a 12" shelf
1	<b>77-U1036</b>	Adjustable shelving door unit - 33" W - for 36" & 72" shelves
2	<b>P4-RA36-3</b>	Aluminum shelving unit for ProMaster City 14" D x 36" W x 42" H

PACKAGES



**PMD-27**  
ALUMINUM

Aluminum	122"	Standard
242 lbs	6 hrs	Yes

Qty	Part #	Description
1	<b>3320-PC</b>	Max View countoured safety partition
1	<b>5011</b>	Partslider 36" D
1	<b>5021</b>	Tool drawer 36" D x 14" W x 16" H
1	<b>5051</b>	Top edge
2	<b>62-U5070</b>	Partskeeper carry case with holder
1	<b>6070</b>	6" Hook, 3" opening, painted
3	<b>62-U1114</b>	14" Deep plastic bin
1	<b>62-UDR10</b>	Set of 5 dividers for a 10" shelf
1	<b>62-UDR12</b>	Set of 5 dividers for a 12" shelf
1	<b>77-U1036</b>	Adjustable shelving door unit - 33" W - for 36" & 72" shelves
1	<b>P4-RA36-3</b>	Aluminum shelving unit for ProMaster City 14" D x 36" W x 42" H
1	<b>P4-RA60-3</b>	Aluminum shelving unit for ProMaster City 14" D x 60" W x 42" H