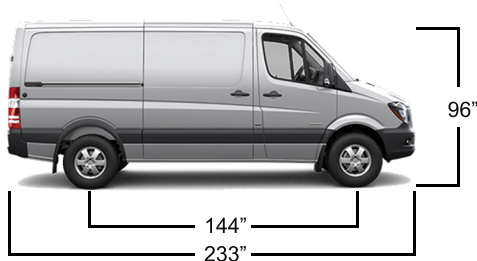


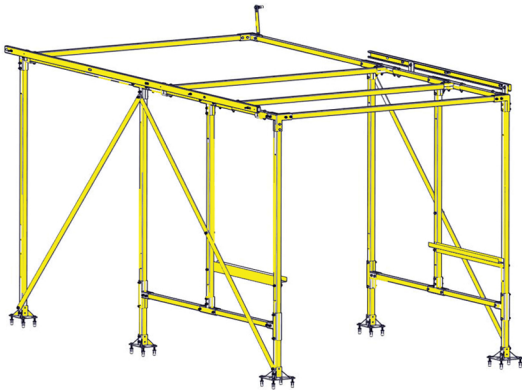
# CARGOGLIDE™

## WALLSLIDE™ FITMENT GUIDE

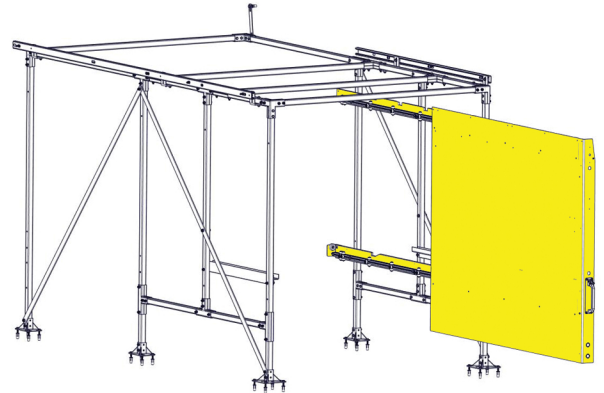
### MERCEDES SPRINTER STANDARD ROOF 144WB



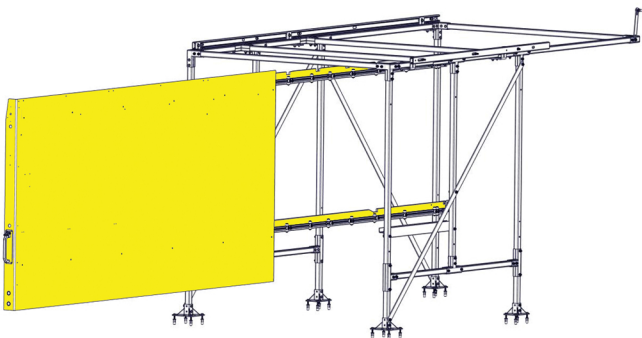
The **WALLSLIDE** System is a steel framework mounted inside the van with aluminum sliding walls. From motorized walls to lighting, **WALLSLIDE** is fully customizable with several options and designed to attach most brands of shelving, bins, or containers onto the sliding walls.



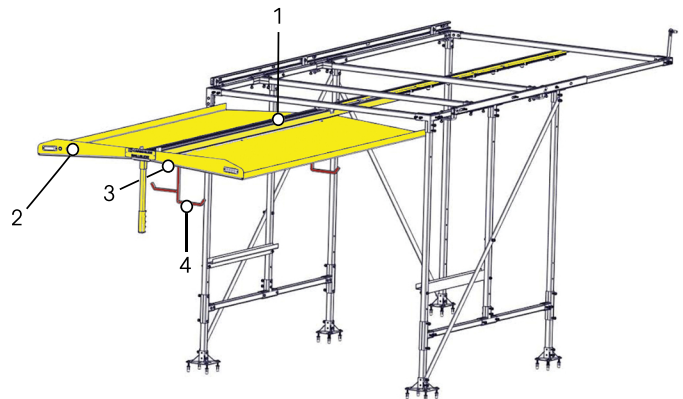
**WSS100 - Framework Only** \*\$1,093



**WSS102 - Right 65" Wall (no shelving)** \*\$2,344



**WSS101 - Left 110" Wall (no shelving)** \*\$3,468



1 **WSR100 - Ceiling Slide Rail Only** \*\$1,359

2 **WSC100 - Ceiling Canopy Kit** \*2,156

3 **WSL072 - 72" Light Strip** \*\$166

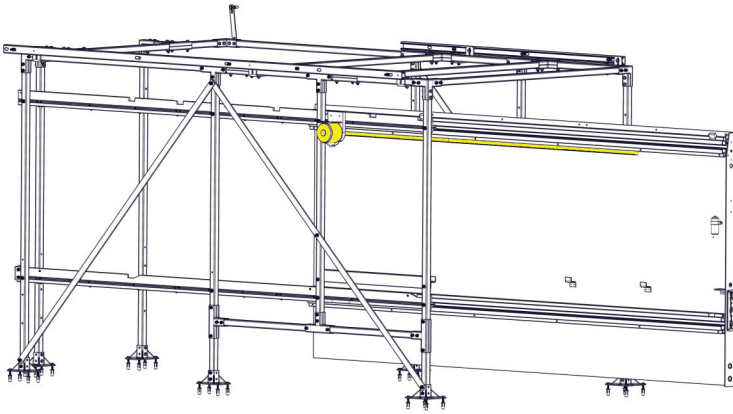
4 **WSLadder1 - Fixed Ladder Racks** \*\$61

**WSLadder1F - Folding Ladder Racks** \*\$77

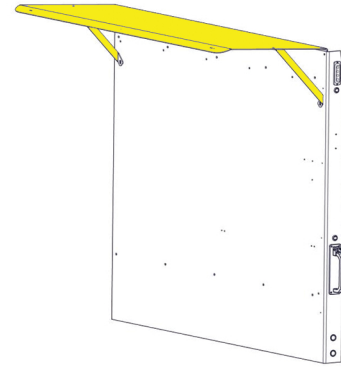
\*Prices are MSRP

# CARGOGLIDE WALLSLIDE

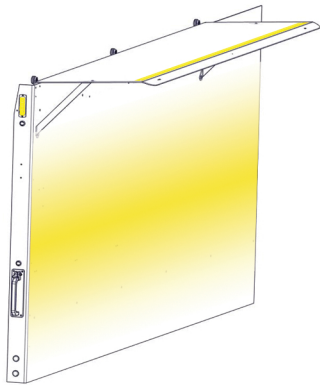
## MERCEDES SPRINTER STANDARD ROOF 144WB



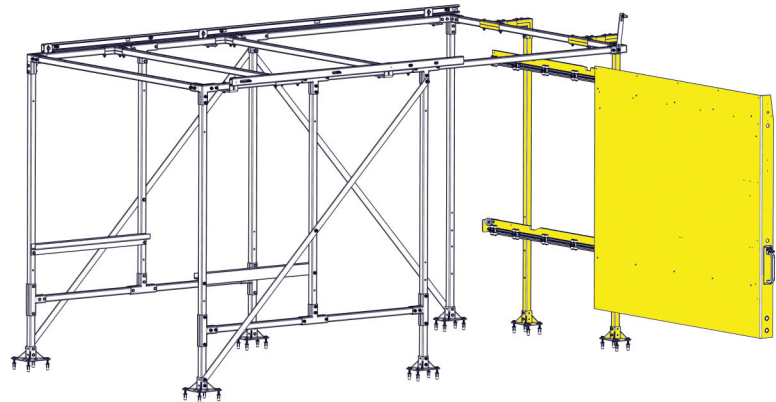
**WSMotor110** - Motorized 110" Left Wall \*\$1,259  
**WSMotor065** - Motorized 65" Right Wall \*\$1,259



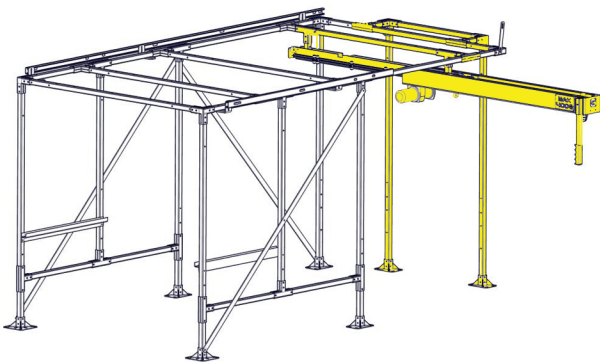
**WPC110** - 110" Wall Canopy \*\$222  
**WPC065** - 65" Wall Canopy \*\$196



**WSL006** - 6" Strobe Light \*\$60  
**WSL048** - 48" Light Strip for 65" Wall \*\$138  
**WSL072** - 72" Light Strip for 110" Wall \*\$166



**WSB100** - BulkHead Framework & Wall \*\$1,828  
available with all wall options



**WSGantry100** - Gantry Crane \*\$1,988



**WALLSLIDE** Systems are compatible with **CARGOGLIDE** floor units that pull out of the rear and side of your van.